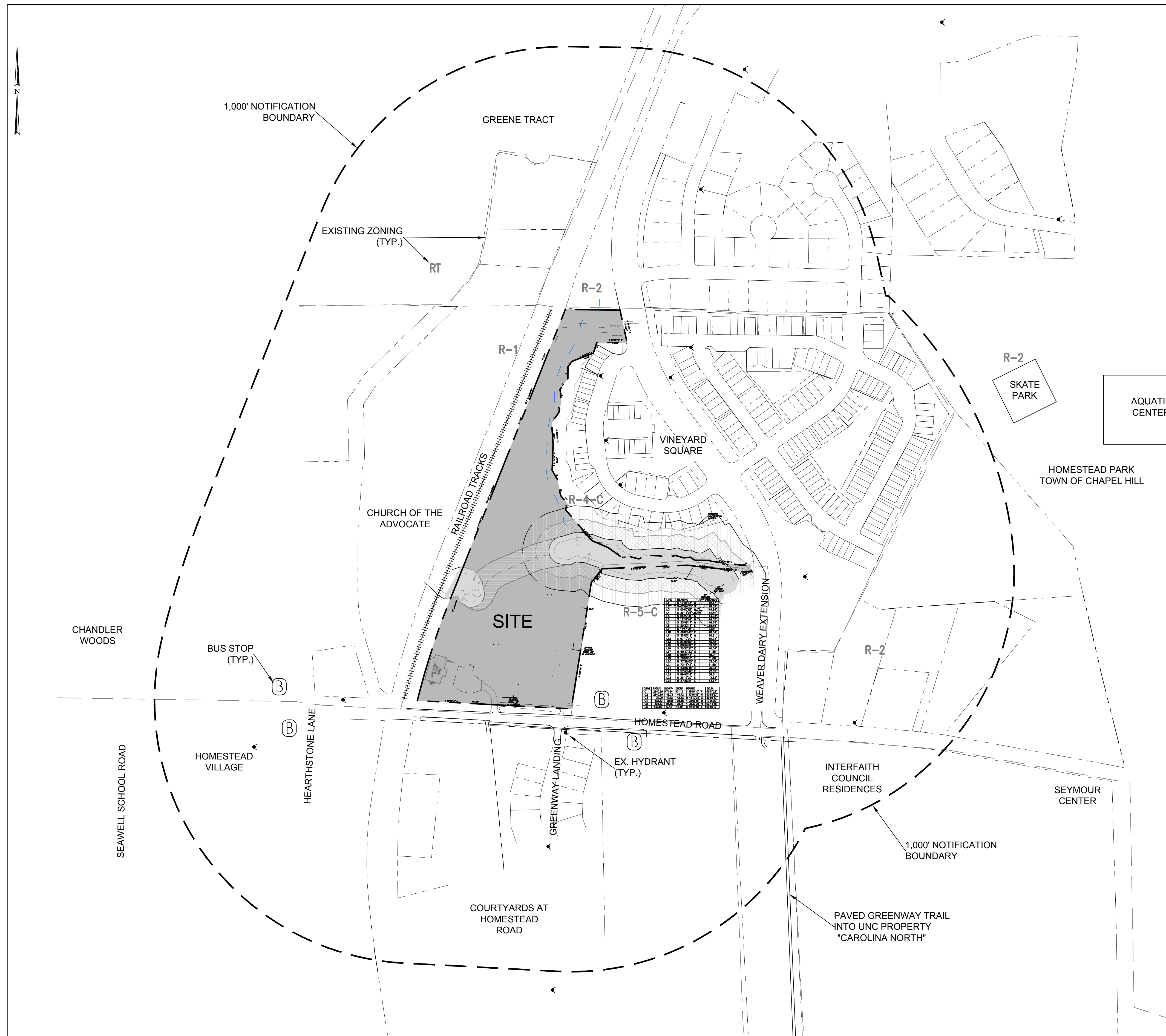


# HOMESTEAD ROAD HOUSING DEVELOPMENT

2200 HOMESTEAD ROAD, CHAPEL HILL, NC



## SITE DATA

PIN: 9870-91-2947  
 OWNER: TOWN OF CHAPEL HILL  
 ENVIRONMENTAL CONSTRAINTS: JORDAN BUFFER RESOURCE CONSERVATION DISTRICT  
 TOTAL PARCEL LAND AREA: 541,157.56 SF / 12.42 AC (NET)  
 HOMESTEAD FRONTAGE: 586.43 LF, RIGHT OF WAY WIDTH 75'  
 586.43 x 37.5 = 21,991.125  
 WEAVER DAIRY EXT FRONTAGE: 113.20 LF (NORTH) + 25.15 LF (SOUTH),  
 138.35 x 50' = 6,917.5  
 GROSS LAND AREA: 570,066 SF / 13.09 AC  
 EXISTING ZONING: R-4-C  
 PROPOSED ZONING: R-SS-CZD  
 PROPOSED LAND DISTURBANCE: 464,882 sf / 10.26 AC  
 EXISTING IMPERVIOUS ON-SITE: 18,442 SF / 0.34 AC  
 PROPOSED IMPERVIOUS ON-SITE: 222,603 SF / 5.11 AC  
 PROPOSED USE TOWNHOMES: 0-10 UNITS X 3 BEDROOM  
 16 UNITS X 2 BEDROOM  
 0-20 X 1 BEDROOM  
 APARTMENTS: 54 X 1 BEDROOM  
 18 X 2 BEDROOM  
 DUPLEXES: 12 UNITS X 3 BEDROOM  
 6 UNITS X 4 BEDROOM  
 115 - 126 UNITS  
 TOTAL SQUARE FOOTAGE PROPOSED: 181,575 sf  
 FLOOR AREA RATIO  
 DISTRICT AREA FAR: 1.10 X 443,592 SF = 487,951 SF  
 RCD STREAMSIDE: 0.01 X 86,014 ON THIS SITE = 860 SF  
 RCD MANAGED: 0.019 X 18,239 SF ON THIS SITE = 346 SF  
 RCD UPLAND: 1.10 X 22,215 SF IN THIS AREA = 24,436 SF  
 TOTAL ALLOWED FLOOR AREA: 513,593 SF  
 TOTAL PROPOSED FLOOR AREA: 181,575 SF

### PARKING

MINIMUM REQUIRED: 1 SPACE PER 1 BDRM = 54x1 = 54  
 1.4 / 2 BDRM = 34x1.4 = 48  
 1.75 / 3 BDRM = 22x1.75 = 39  
 2 / 4 BDRM = 6x2 = 12  
 MINIMUM 153 SPACES  
 MAXIMUM ALLOWED: 1.25 / 1 BDRM = 74x1.25 = 93  
 1.75 / 2 BDRM = 34x1.75 = 60  
 2.25 / 3 BDRM = 22x2.25 = 50  
 2.5 / 4 BDRM = 6x2.5 = 15  
 MAXIMUM 227 SPACES  
 PROVIDED: 164 STANDARD SPACES  
 2 COMPACT SPACES  
 3 VAN SPACES  
 + 6 ADA SPACES  
 175 SPACES TOTAL

SPACES SERVED BY EV CHARGING STATIONS:  
 REQUIRED: 3% = 5.25 SPACES  
 PROVIDED: 3.4% = 6 SPACES  
 NOTE: 35 SPACES MUST BE EV-STATION- READY WITH CONDUIT INSTALLED DURING SITE CONSTRUCTION

### BICYCLE PARKING

MAX. 126 UNITS  
 REQUIRED: 1 SPACE PER 4 UNITS = 32 SPACES  
 Residential: 10% short term = 3-4 (OUTSIDE)  
 90% long term = 28-29 (PROTECTED)  
 PROVIDED: 4 SPACES (2 LOOPS) OUTSIDE -  
 1 loop at basketball court  
 1 loop at middle apartment area  
 50 PROTECTED SPACES IN OUTDOOR PROTECTED AREAS AND WITHIN BUILDINGS  
 9 loops / 18 spaces in locked facilities adjacent to apartment buildings  
 3 loops / 6 spaces at common shelter  
 26 4'x6' lockable porch closets at townhomes

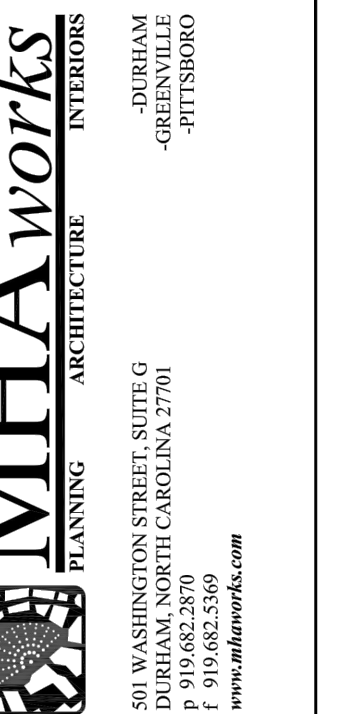
## LIST OF SHEETS

- CZ-0.0 COVER & AREA MAP
- CZ-1.0 EXISTING CONDITIONS
- CZ-1.1 CONSTRUCTION MANAGEMENT PLAN
- CZ-2.0 SITE LAYOUT PLAN
- CZ-3.0 GRADING AND STORMWATER PLAN
- CZ-4.0 reserved for erosion control
- CZ-5.0 UTILITY PLAN
- CZ-6.0 PRELIMINARY LIGHTING PLAN
- CZ-7.0 LANDSCAPE PLAN
- CZ-7.1 LANDSCAPE CALCS AND TREESAVE PLAN
- CZ-8.0 SITE DETAILS
- CZ-8.1 SITE DETAILS
- PD-001 TYPICAL TOWNHOME ELEVATIONS
- PD-002 4-BEDROOM DUPLEX ELEVATIONS
- PD-003 3-BEDROOM DUPLEX ELEVATIONS
- PD-004 CASA BUILDING A ELEVATIONS
- PD-005 CASA BUILDING B ELEVATIONS
- PD-006 CASA BUILDING C ELEVATIONS



111 West Main Street  
 Durham, N.C. 27701  
 p 919.682.0368  
 f 919.688.5646  
 www.cjtpra.com

NC BOARD OF EXAMINERS FOR ENGINEERS AND SURVEYORS LIC # C-1209  
 NC BOARD OF LANDSCAPE ARCHITECTS LIC # C-104

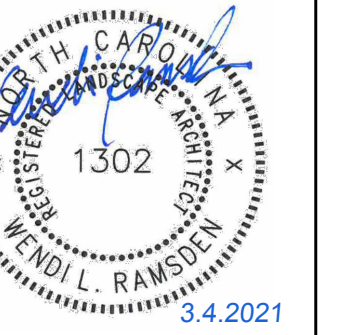


### Project:

2200 Homestead Road

Chapel Hill North Carolina

PIN: 9870912947



PRELIMINARY-DO NOT USE FOR CONSTRUCTION

CJT Job Number: 1748

Drawn	WLR PBR MTC
Checked	WLR PBR
Date	10-29-20
Revisions	CZ RESUBMITTAL 2-9-21
	CZ RESUBMITTAL 3-4-21

Conditional Zoning Plan

Sheet Title:

COVER & AREA MAP

Sheet Number

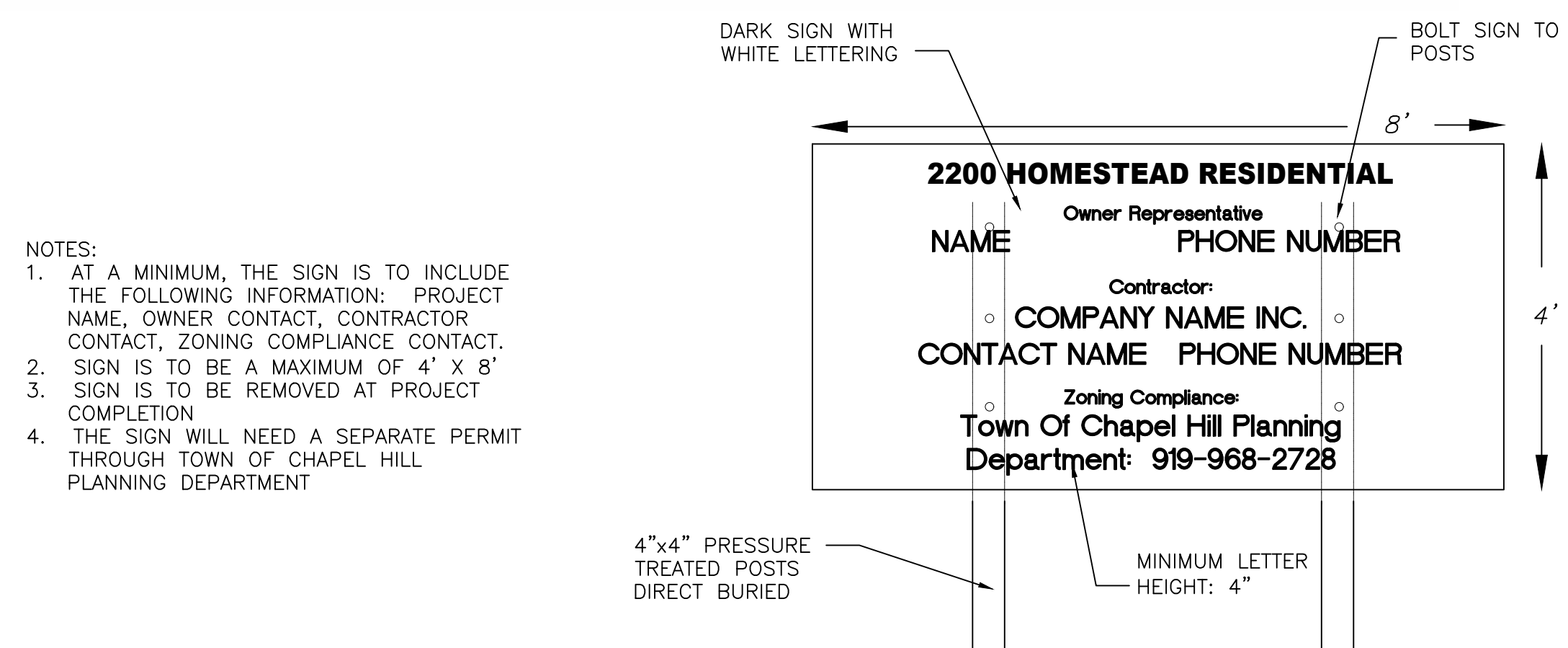
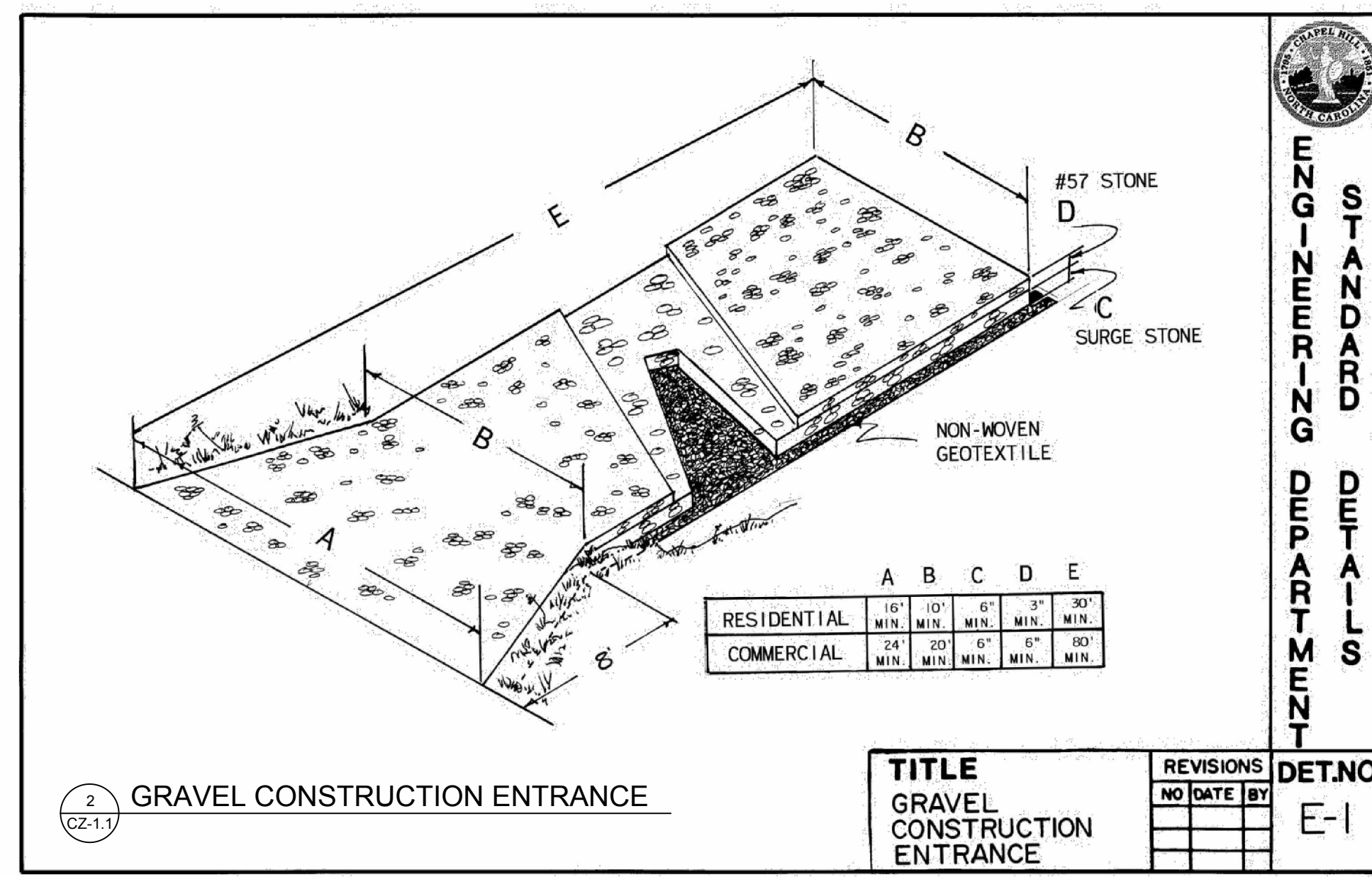
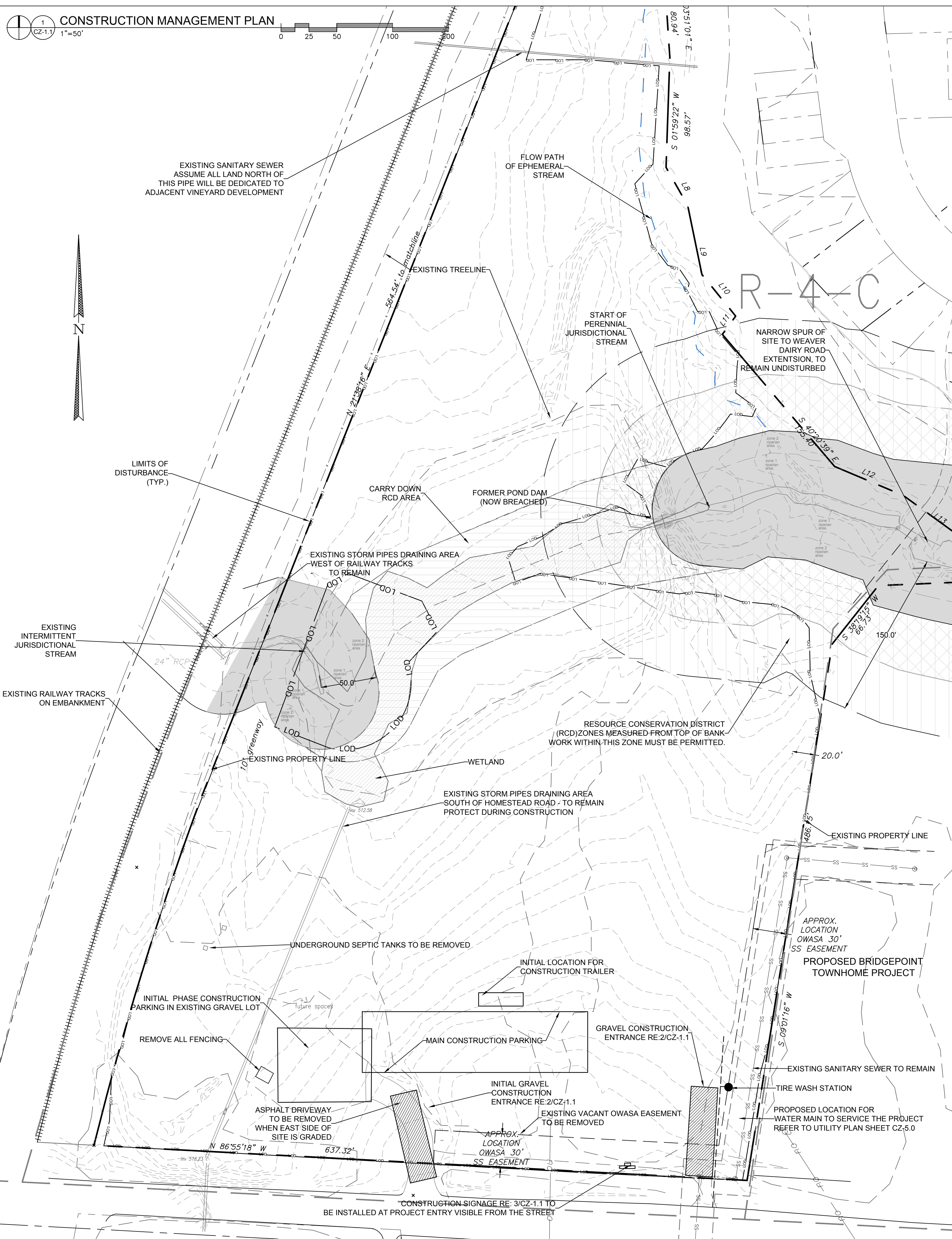
CZ-0.0

AREA MAP  
 CZ-0.0  
 1"=200'





**CONSTRUCTION MANAGEMENT PLAN**  
1  
CZ-1.1 1"=50'



**CONSTRUCTION STAGING NOTES**

- EXISTING GRAVEL PARKING IS TO BE LEFT INTACT FOR CONSTRUCTION WORKERS UNTIL WORK IS DONE IN EACH AREA AND GRAVEL NEEDS TO BE REMOVED.
- NO CONSTRUCTION PARKING WILL BE ALLOWED ON ADJACENT RESIDENTIAL STREETS.
- CURB AND GUTTER AND AT LEAST THE FIRST LIFT OF ASPHALT MUST BE LAID DOWN AHEAD OF BUILDING CONSTRUCTION.
- ON-SITE PARKING FOR INSPECTORS WILL BE PROVIDED AT EACH BUILDING FOR THE DURATION OF EACH PHASE OF BUILDING CONSTRUCTION.
- THE TOWN OF CHAPEL HILL NOISE ORDINANCE MUST BE COMPLIED WITH. THE TOWN ORDINANCE SPECIFIES CONSTRUCTION OPERATIONS ARE LIMITED TO 7 AM TO 9 PM WEEKDAYS, AND 8 AM TO 9 PM WEEKENDS.
- MATERIAL STORAGE, PARKING, CONSTRUCTION TRAIL, AND TOILET FACILITIES MUST BE LOCATED OUTSIDE OF RCD ZONES, AND LOCATED SO THAT DRAINAGE FROM THESE SPACES DO NOT DIRECTLY DRAIN INTO THE RCD.

**CONSTRUCTION MANAGEMENT NOTES**

- PROJECT CONSTRUCTION WILL BE PHASED. THE MAJORITY OF THE SITE WORK WILL BE COMPLETED FIRST IN ORDER TO PROVIDE BUILDING PADS FOR VERTICAL CONSTRUCTION.
- BUILDING CONSTRUCTION WILL NOT BEGIN UNTIL THE UTILITY MAINS ARE INSTALLED AND THE FIRST LAYER OF PAVEMENT IS COMPLETE.
- A CONSTRUCTION TRAILER WILL BE INSTALLED AT THE SITE AND LOCATED APPROXIMATELY IN THE AREA OF THE PROPOSED APARTMENT BUILDINGS. THE CONSTRUCTION TRAILER MAY BE RELOCATED WITHIN THE SITE AS BUILDING CONSTRUCTION IS PERMITTED AND STARTED.
- CONSTRUCTION PARKING WILL BE ALLOWED ON SITE INITIALLY IN GRAVEL AREAS AND LATER IN PROPOSED FUTURE PARKING AREAS. AS BUILDING CONSTRUCTION BEGINS, THERE WILL BE A PARKING SPACE ALLOCATED FOR AN INSPECTOR AT EACH BUILDING.
- CONSTRUCTION TOILETS MAY NOT BE LOCATED IN RCD AREAS.
- CONSTRUCTION MATERIALS MAY BE STORED IN MULTIPLE AREAS ON SITE. CONSTRUCTION MATERIAL STORAGE WILL NOT BE ALLOWED IN RCD ZONES.

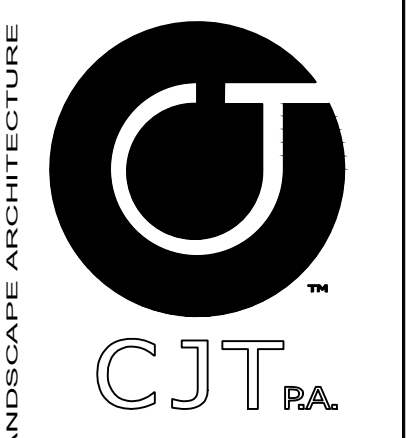
**CONSTRUCTION PHASING NOTES**

**TRAFFIC/PEDESTRIAN CONTROL NOTES**

- ANY CONSTRUCTION REQUIRING TEMPORARY LANE CLOSURES ON PUBLIC STREETS NEED TOWN APPROVAL. TEMPORARY LANE CLOSURES ARE ONLY ALLOWED DURING DAYLIGHT HOURS.
- ALL WORK ZONE SIGNAGE SHALL COMPLY WITH APPLICABLE M.U.T.C.D. STANDARDS AND DETAILS.
- PRIOR TO ANY TRAFFIC LANE CLOSURES, IT WILL BE NECESSARY TO CONTACT ERNIE ROGERS AT 919-968-2833, OF THE CHAPEL HILL ENGINEERING DIVISION, AT LEAST 5 WORKING DAYS BEFORE THE PROPOSED WORK TO APPLY FOR A LANE CLOSURE PERMIT.

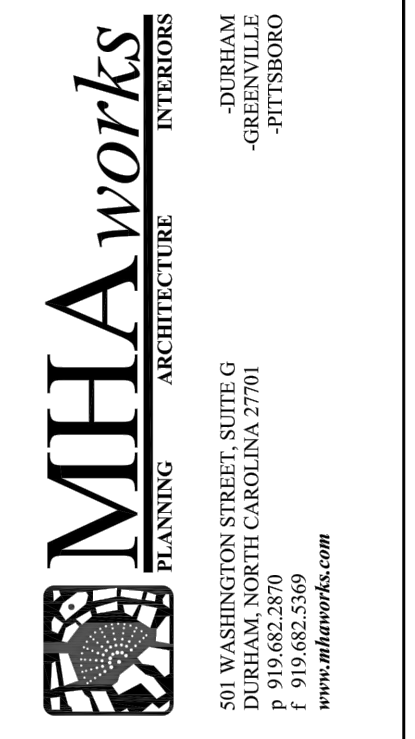
**FIRE PROTECTION NOTES**

- CONTRACTOR SHALL MAINTAIN A FIRE WATCH DURING THE CONSTRUCTION OR DEMOLITION OF "HOT WORK" THAT MAY SUBJECT MATERIALS TO SPONTANEOUS COMBUSTION. THE FIRE WATCH SHALL CONSIST OF AT LEAST ONE PERSON WITH A MEANS OF COMMUNICATING AN ALARM TO 911, SHALL HAVE A WRITTEN ADDRESS POSTED IN A CONSPICUOUS LOCATION, AND SHALL MAINTAIN CONSTANT PATROLS.
- ALL CONSTRUCTION AND DEMOLITION SHALL COMPLY WITH THE CURRENT EDITION OF CHAPTER 14 OF THE NC FPC (FIRE CODE).
- ANY PERMANENT OR TEMPORARY GATES ACROSS FIRE ACCESS DRIVES SHALL BE A MINIMUM WIDTH OF 20', EITHER SWINGING OR SLIDING TYPE, HAVE AN EMERGENCY MEANS OF OPERATION, AND SHALL BE OPERABLE BY EITHER FORCIBLE ENTRY OR KEYS, CAPABLE OF BEING OPERATED BY ONE PERSON, AND SHALL BE INSTALLED AND MAINTAINED ACCORDING TO UL 325 AND ASTM F 2200 NC FPC 2012.



111 West Main Street  
Durham, N.C. 27701  
p 919.682.0368  
f 919.688.5646  
www.cjtpa.com

NC BOARD OF EXAMINERS FOR ENGINEERS AND SURVEYORS LIC # C-1209  
NC BOARD OF LANDSCAPE ARCHITECTS LIC # C-104

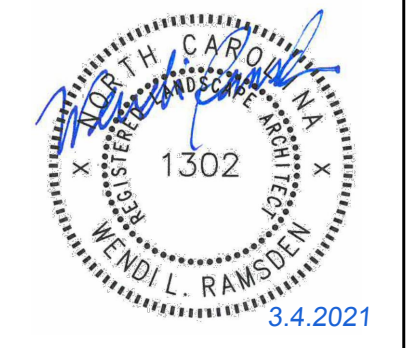


Project:

2200 Homestead Road

Chapel Hill North Carolina

PIN: 9870912947



PRELIMINARY-DO NOT USE FOR CONSTRUCTION

CJT Job Number: 1748

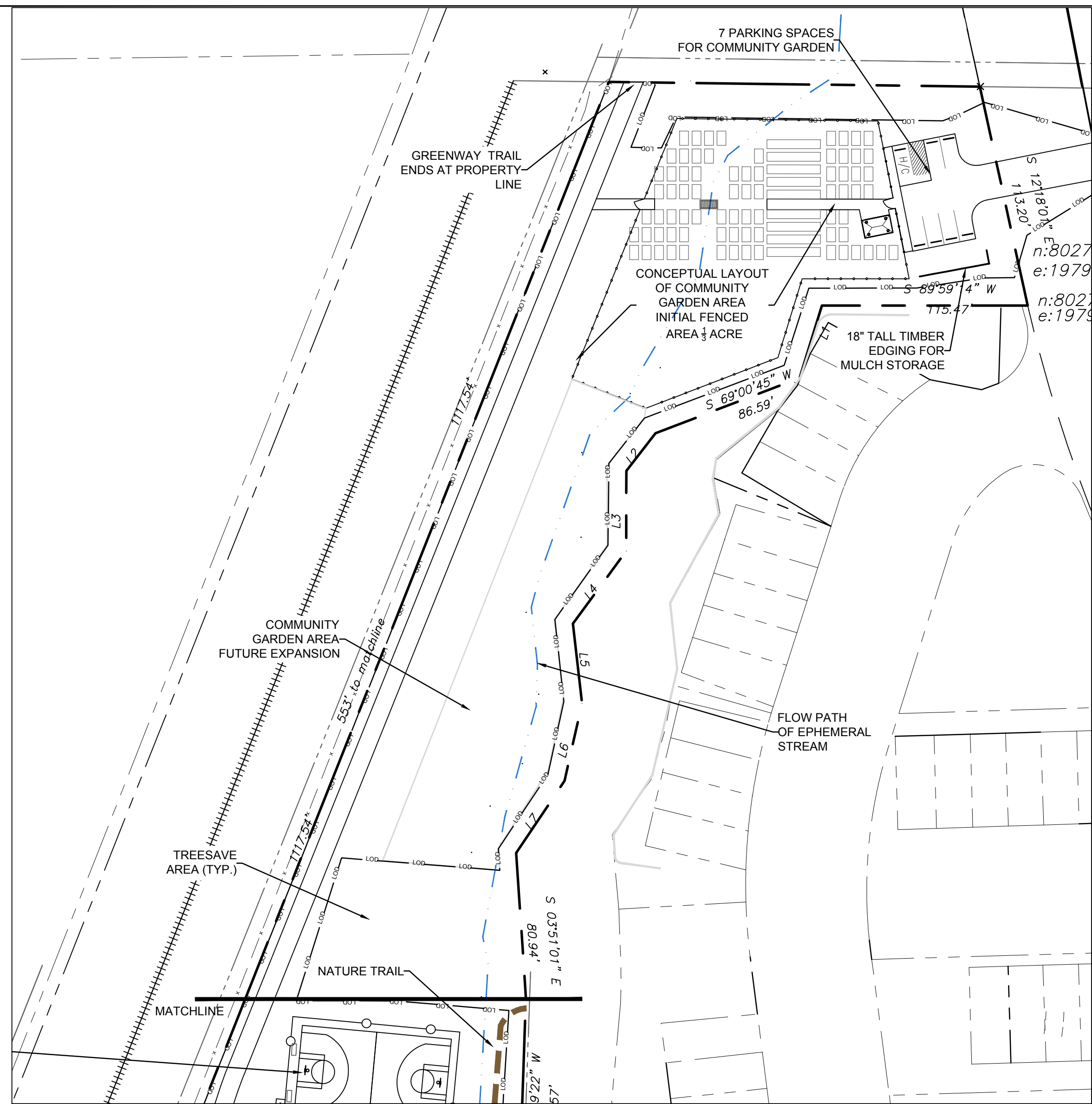
Drawn	WLR PBR MTC
Checked	WLR PBR
Date	10-29-20
Revisions	CZ RESUBMITTAL 2-9-21
	CZ RESUBMITTAL 3-4-21

Conditional Zoning Plan

Sheet Title:

**CONSTRUCTION MANAGEMENT PLAN**

Sheet Number  
**CZ-1.1**



2 SITE LAYOUT NORTH AREA PLAN  
1"=50'

- ALL ANGLES ARE 90 DEGREES UNLESS OTHERWISE NOTED.
- DIMENSIONS TO BUILDING WALL ARE TO FACE OF WALL AT FINISH GRADE. DIMENSIONS TO CURB ARE TO FACE OF CURB.
- LAY OUT IMPROVEMENTS FOR THE CIVIL ENGINEER'S OR LANDSCAPE ARCHITECT'S REVIEW PRIOR TO BEGINNING CONSTRUCTION.
- REFERENCE ARCHITECTURAL DRAWINGS FOR BUILDING LAYOUT INFORMATION.
- ADA PARKING SPACES SHALL BE SIGNED WITH TYPE R7-8 OR R7-8A RESERVED PARKING SIGN AND R7-8D MAXIMUM FINE SIGN PER GS 20-37.6 OF THE NORTH CAROLINA HANDICAP CODE. ADA RAMPS SHALL HAVE RAMP SURFACES COVERED WITH DETECTABLE WARNING PATTERN PER ADA STANDARDS.
- REFERENCE EXISTING CONDITION SHEET CZ-1.0 FOR EXTENT OF DEMOLITION AND REMOVAL OF CURB AND GUTTER, DRIVEWAYS, PAVEMENT, BOLLARDS, WALKWAYS, UTILITIES, AND VEGETATION.
- BY ORANGE COUNTY ORDINANCE, CLEAN WOOD WASTE, SCRAP METAL AND CORRUGATED CARDBOARD, ALL PRESENT IN CONSTRUCTION WASTE, MUST BE RECYCLED.
- BY ORANGE COUNTY ORDINANCE, ALL HAULERS OF CONSTRUCTION WASTE MUST BE PROPERLY LICENSED.
- PRIOR TO ANY DEMOLITION OR CONSTRUCTION ACTIVITY ON THE SITE THE APPLICANT WILL HOLD A PRE-DEMOLITION/PRE-CONSTRUCTION CONFERENCE WITH THE COUNTY'S SOLID WASTE STAFF. THIS MAY BE THE SAME MEETING HELD WITH OTHER DEVELOPMENT OFFICIALS.
- THE PRESENCE OF ANY ASBESTOS CONTAINING MATERIAL ("ACM") OR OTHER HAZARDOUS MATERIALS IN CONSTRUCTION AND DEMOLITION WASTE SHALL BE HANDLED IN ACCORDANCE WITH ANY AND ALL LOCAL, STATE, AND FEDERAL REGULATIONS AND GUIDELINES.
- MASONRY WALLS WILL NOT BE REPAIRED BY THE TOWN RESULTING FROM MAINTENANCE ON TOWN OF CHAPEL HILL AND OWASA MAINTAINED UTILITIES.
- THERE WILL BE TWO CLASS 1 BIKE RACKS LOCATED INSIDE THE BUILDING.
- KEY BOXES FOR FIRST RESPONDERS WILL BE REQUIRED NEAR THE FRONT DOOR AND SPRINKLER RISER ROOM AREAS. 2012 NC FIRE CODE, SECTION 506.
- MECHANICAL EQUIPMENT MUST BE PLACED AT OR ABOVE BASE FLOOD ELEVATION + 2 FEET.
- PRIOR TO PERFORMING WORK IN THE NCDOT R/W, THE APPLICANT WILL NEED TO OBTAIN THE FOLLOWING:
  - APPROVED NCDOT DRIVEWAY PERMITS FOR PROPOSED ACCESSES TO NC 86.
  - APPROVED NCDOT THREE-PARTY ENCROACHMENT AGREEMENT WITH TOCH FOR PROPOSED / STIPULATED SIDEWALK AND APPURTENANCES.
  - APPROVED NCDOT THREE-PARTY ENCROACHMENT AGREEMENT WITH OWASA FOR PROPOSED WATER AND SEWER CONNECTIONS.
- PRIOR TO ISSUANCE OF THE DRIVEWAY PERMITS AND ENCROACHMENT AGREEMENTS, THE APPLICANT WILL NEED TO PROVIDE COMPLETE AND DETAILED DESIGN PLANS PER NCDOT, TOCH, AND OWASA REQUIREMENTS FOR REVIEW AND APPROVAL.

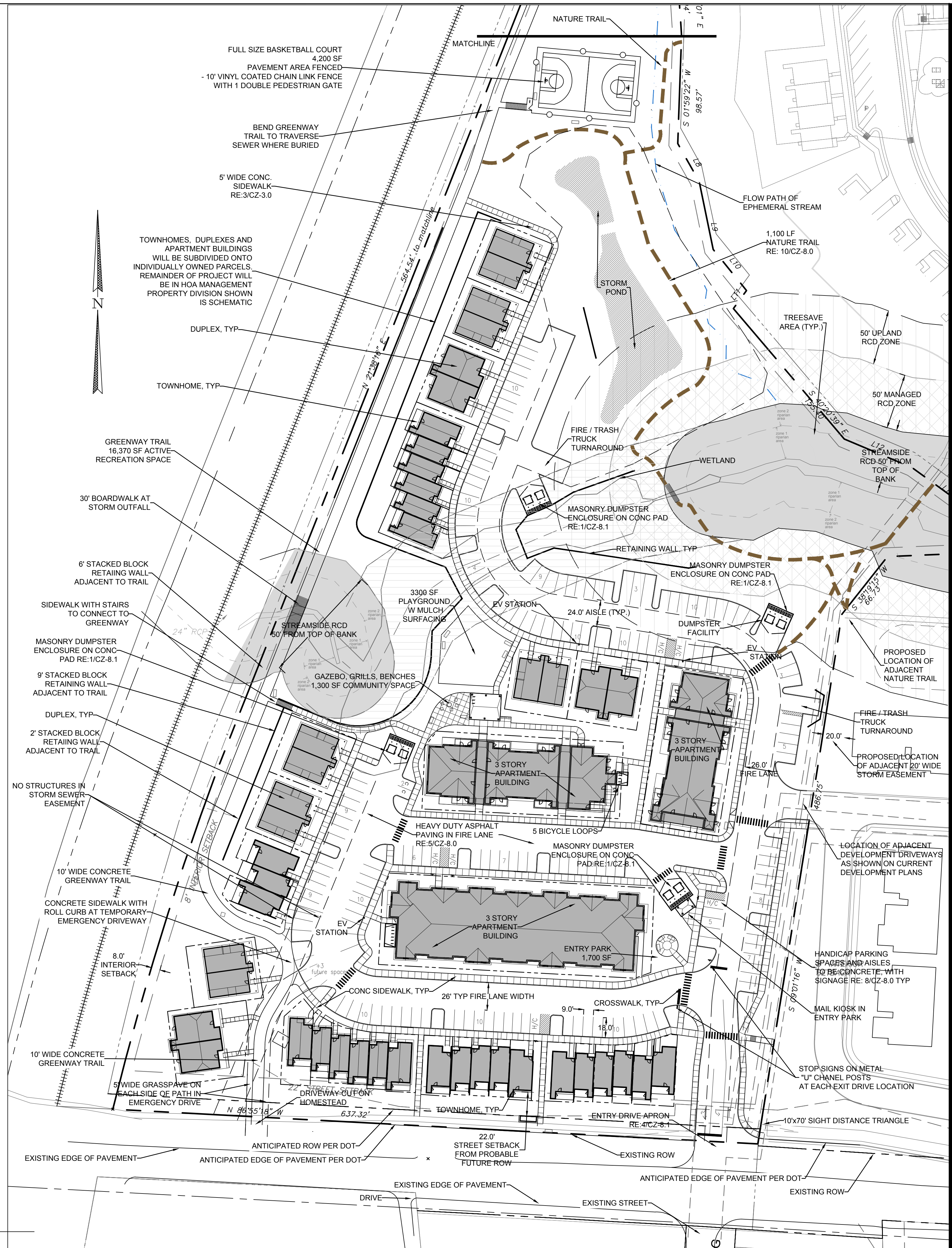
3 SITE LAYOUT NOTES  
CZ-2

TOTAL SITE AREA: 570,066 SF  
MULTIFAMILY RESIDENTIAL RECREATION RATIO = .050  
TOTAL REQUIRED RECREATION SPACE = 28,503 SF

ACTIVE RECREATION SPACE PROVIDED:		OTHER RECREATION SPACE PROVIDED:	
GREENWAY TRAIL	16,370 SF	COMMUNITY GARDEN	11,000 SF
PLAYGROUND	3,300 SF	SIDEWALKS - 2/3 MILE	
BASKETBALL COURT	4,200 SF	ALL INTERCONNECTED	16,700 SF
NATURE TRAIL	4,400 SF	ENTRY PARK	1,700 SF
PICNIC SHELTER	1,300 SF (supports playground use)	TOTAL:	29,400 SF
TOTAL:	29,570 SF		

4 RECREATION SPACE CALCULATIONS  
CZ-2

1 SITE LAYOUT MAIN AREA PLAN  
1"=50'



CJT RA

111 West Main Street  
Durham, N.C. 27701  
p 919.682.0368  
f 919.688.5646  
www.cjtpa.com

NC BOARD OF EXAMINERS FOR ENGINEERS AND SURVEYORS LIC # C-1209

NC BOARD OF LANDSCAPE ARCHITECTS LIC # C-104

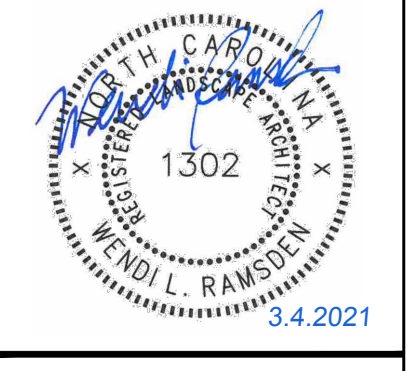
MHAworks INTERIORS ARCHITECTURE PLANNING

DURHAM  
DURHAMVILLE  
-PITTSBORO

90 WASHINGTON STREET, SUITE G  
DURHAM, NORTH CAROLINA 27701  
P 919.682.2510  
F 919.682.2510  
www.mhaworks.com

Project:  
**2200 Homestead Road**  
Chapel Hill  
North Carolina

PIN: 9870912947



PRELIMINARY-DO NOT USE FOR CONSTRUCTION

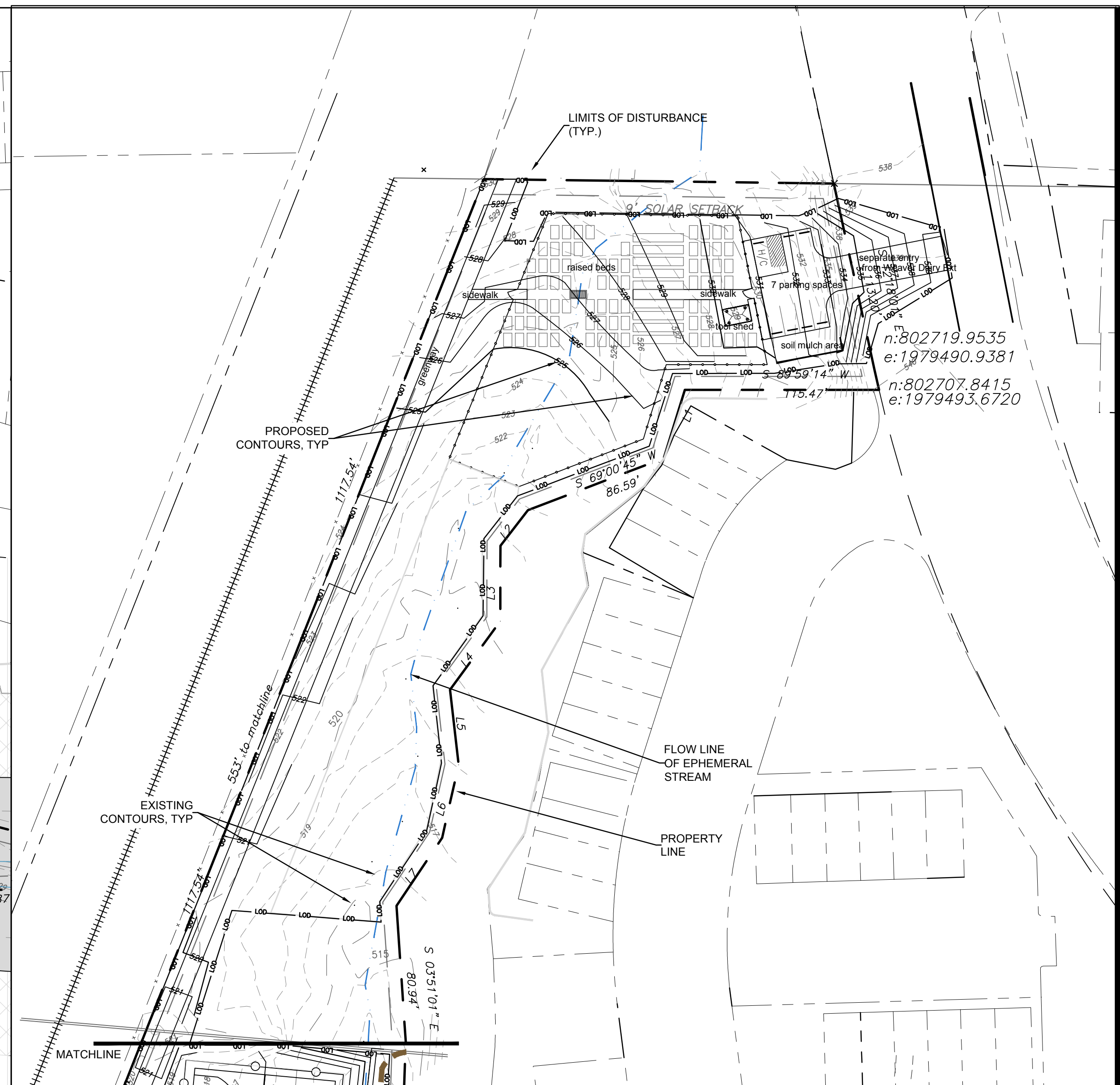
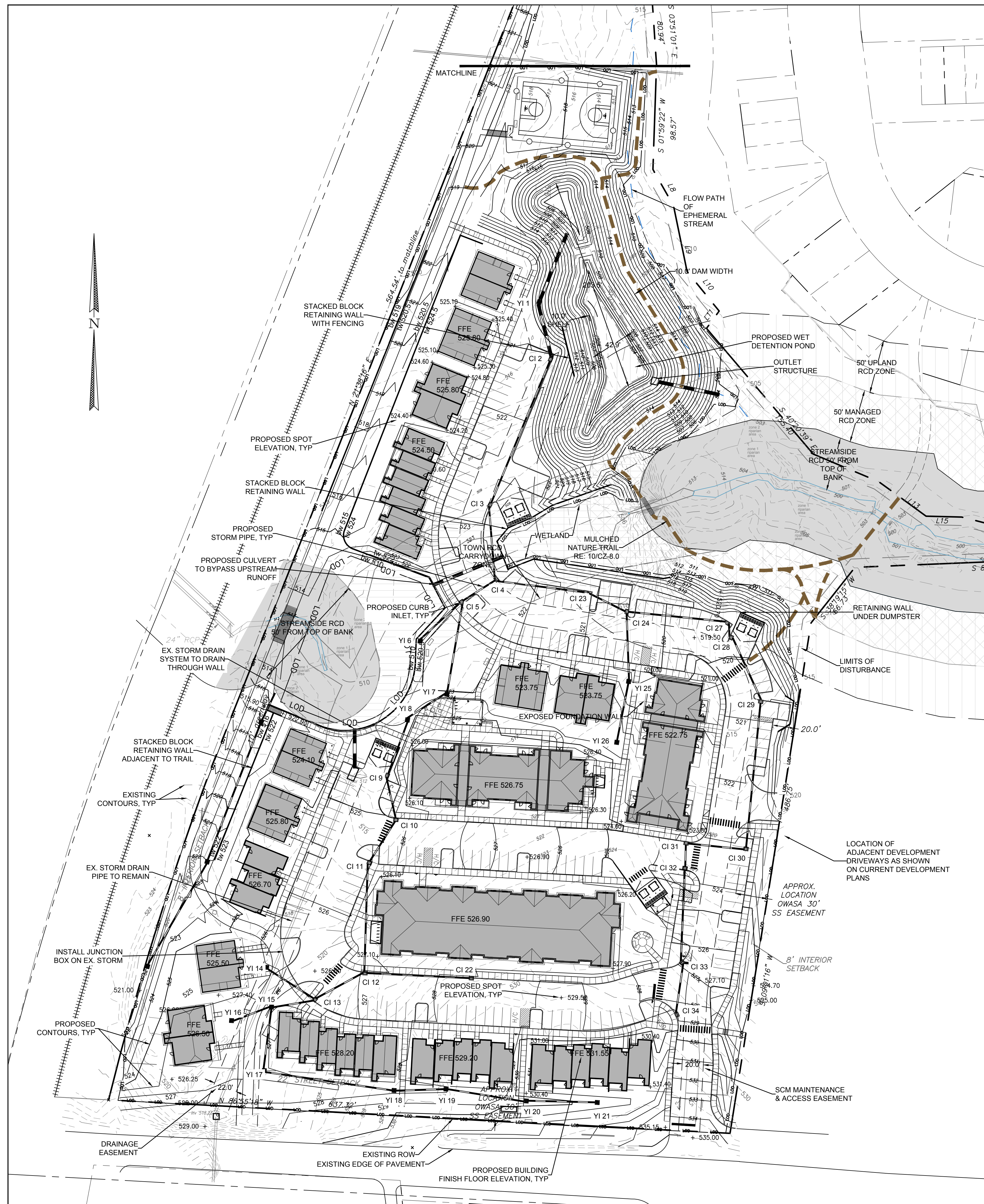
CJT Job Number: 1748

Drawn	WLR_PBR_MTC
Checked	WLR_PBR
Date	10-29-20
Revisions	CZ RESUBMITTAL 10-29-20
	CZ RESUBMITTAL 2-9-21
	CZ RESUBMITTAL 3-4-21

Conditional Zoning Plan

Sheet Title:  
**SITE LAYOUT PLAN**

Sheet Number  
**CZ-2.0**



2 GRADING AND STORM DRAINAGE PLAN - NORTH  
1"=50'

- ALL DIMENSIONS AND GRADES SHOWN ON THE PLANS SHALL BE FIELD VERIFIED BY THE CONTRACTOR PRIOR TO CONSTRUCTION. CONTRACTOR SHALL NOTIFY THE OWNER IF ANY DISCREPANCIES EXIST PRIOR TO PROCEEDING WITH CONSTRUCTION FOR NECESSARY PLAN OR GRADE CHANGES. NO EXTRA COMPENSATION SHALL BE PAID TO THE CONTRACTOR FOR ANY WORK DONE DUE TO DIMENSIONS OR GRADES SHOWN INCORRECTLY ON THESE PLANS IF SUCH NOTIFICATION HAS NOT BEEN GIVEN.
- ALL CONSTRUCTION SHALL BE IN ACCORDANCE WITH TOWN OF CHAPEL HILL AND NC DOT STANDARDS AND SPECIFICATIONS.
- CONTRACTOR SHALL NOTIFY "NORTH CAROLINA ONE CALL" (1-800-632-4949) AT LEAST 48 HOURS PRIOR TO BEGINNING CONSTRUCTION OR EXCAVATION TO HAVE EXISTING UTILITIES LOCATED. CONTRACTOR TO CONTACT ANY LOCAL UTILITIES THAT PROVIDE THEIR OWN LOCATOR SERVICES INDEPENDENT OF "NORTH CAROLINA ONE CALL".
- CONSTRUCTION, MAINTENANCE AND REMOVAL OF ALL EROSION CONTROL DEVICES ARE THE RESPONSIBILITY OF THE GENERAL CONTRACTOR.
- EXISTING UTILITIES AND STRUCTURES SHOWN, BOTH UNDERGROUND AND ABOVE GROUND, ARE BASED ON A FIELD SURVEY AND THE BEST AVAILABLE RECORD DRAWINGS. THE CONTRACTOR SHALL VERIFY FIELD CONDITIONS PRIOR TO BEGINNING RELATED CONSTRUCTION. ANY DISCREPANCIES SHALL BE REPORTED TO THE OWNER'S REPRESENTATIVE IMMEDIATELY.
- SOIL UNDER BUILDING PAD, PAVED AREAS AND WITHIN SLOPES GREATER THAN 3:1 (H:V) SHALL BE APPROVED, PLACED AND COMPACTED AS RECOMMENDED BY THE GEOTECHNICAL ENGINEER. THESE SOILS SHALL BE COMPACTED AS SPECIFIED UNLESS OTHERWISE RECOMMENDED BY THE GEOTECHNICAL ENGINEER. ANY UNDERCUT OF SOILS IN THESE AREAS SHALL BE APPROVED BY THE GEOTECHNICAL ENGINEER & OWNER. THE UNDERCUT SOILS SHALL ALSO BE QUANTIFIED BY THE GEOTECHNICAL ENGINEER.
- ALL GRADING MUST PRODUCE SURFACE DRAINAGE ADEQUATE TO PREVENT STANDING WATER OR WET LAWN AREAS, AND TO ENSURE THAT ALL STORM WATER FLOWS TO INLETS OR OTHER POINTS OF DISCHARGE.
- ALL SIDEWALKS SHALL BE CONSTRUCTED WITH A MAXIMUM 1.8% CROSS SLOPE IN THE DIRECTION SHOWN ON THE PLAN.
- CONNECT ALL ROOF LEADERS AND DOWNSPOUTS TO STORM DRAINAGE SYSTEM WITH PVC PIPE. SEE ARCHITECTURAL PLANS FOR LOCATIONS.
- CURB INLETS: PROVIDE PRE-CAST CURB INLET HOODS AND COVERS STATING, "DUMP NO WASTE! DRAINS TO JORDAN LAKE", IN ACCORDANCE WITH THE SPECIFICATIONS OF THE TOWN STANDARD DETAIL SD-5A, FOR ALL NEW CURB INLETS FOR PRIVATE, TOWN AND STATE RIGHTS-OF-WAY.
- SW (BOTTOM OF WALL) ELEVATION IS FINISH GRADE. NOT THE FOOTING. REFERENCE RETAINING WALL PLANS/DETAILS FOR DEPTH OF FOOTING.

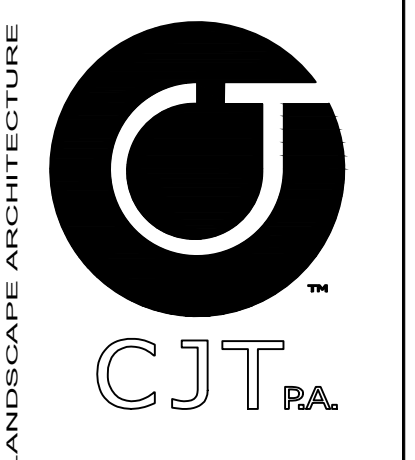
3 GRADING AND STORM DRAINAGE NOTES  
CZ-3

RCD ZONE	TOTAL AREA ON SITE	PROPOSED DISTURBANCE SF	%	ALLOWED BY ORDINANCE	PROPOSED IMPERVIOUS SF	%	ALLOWED BY ORDINANCE
streamside	86,014 SF	22,551 SF	26.2%	20%	8,345 SF	9.7%	10%
managed	22,242 SF	8,860 SF	39.5%	40%	84 SF	0.4%	20%
upland	27,138 SF	22,992 SF	84.7%	40%	6,743 SF	30.35%	20%

THESE CALCULATIONS INCLUDE THE CARRY DOWN ZONE AS STREAMSIDE RCD.

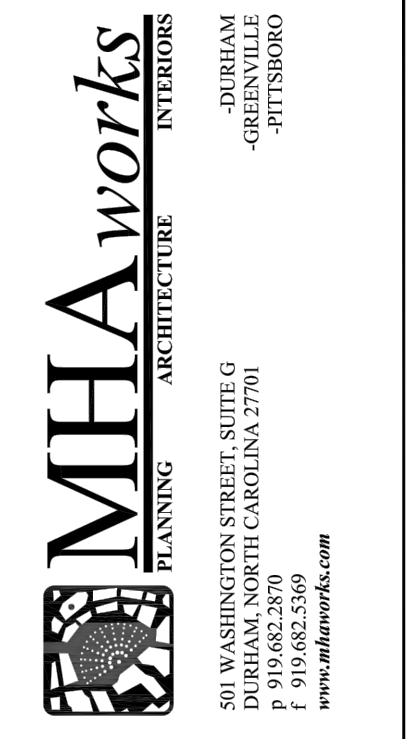
4 RESOURCE CONSERVATION DISTRICT CALCULATIONS  
CZ-3

1 GRADING AND STORM DRAINAGE PLAN  
1"=50'



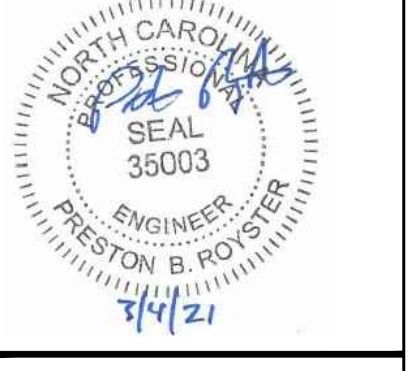
111 West Main Street  
Durham, N.C. 27701  
p 919.682.0368  
f 919.688.5646  
www.cjtpa.com

NC BOARD OF EXAMINERS FOR ENGINEERS AND SURVEYORS LIC # C-1209  
NC BOARD OF LANDSCAPE ARCHITECTS LIC # C-104



Project:  
  
2200 Homestead Road  
Chapel Hill North Carolina

PIN: 9870912947



PRELIMINARY-DO NOT USE FOR CONSTRUCTION

CJT Job Number: 1748

Drawn	WLR, PBR, MTC
Checked	WLR, PBR
Date	10-29-20
Revisions	CZ RESUBMITTAL 2-9-21
	CZ RESUBMITTAL 3-4-21

Conditional Zoning Plan

Sheet Title:

GRADING AND STORM DRAINAGE PLAN

Sheet Number  
CZ-3.0



- CONTRACTOR SHALL NOTIFY "NORTH CAROLINA ONE CALL" (1-800-632-4949) AT LEAST 48 HOURS PRIOR TO BEGINNING CONSTRUCTION OR EXCAVATION TO HAVE EXISTING UTILITIES LOCATED. CONTRACTOR TO CONTACT ANY LOCAL UTILITIES THAT PROVIDE THEIR OWN LOCATOR SERVICE INDEPENDENT OF "NORTH CAROLINA ONE CALL".
- ALL WATER AND SEWER MAINS WITHIN PUBLIC EASEMENTS AND RIGHT-OF-WAYS TO BE OWNED, OPERATED AND MAINTAINED BY OWASA.
- ALL CONSTRUCTION SHALL BE IN ACCORDANCE WITH THE OWASA STANDARDS AND SPECIFICATIONS.
- ALL EXISTING UNDERGROUND UTILITIES ARE APPROXIMATELY LOCATED. ACTUAL LOCATION AND DEPTH SHALL BE CONFIRMED IN THE FIELD PRIOR TO CONSTRUCTION.
- BEFORE STARTING ANY CONSTRUCTION OF IMPROVEMENTS WITHIN ANY TOWN OR N.C.D.O.T. STREET OR HIGHWAY RIGHT-OF-WAY THE FOLLOWING PROCEDURES SHOULD BE UNDERTAKEN: TOWN RIGHT-OF-WAY: CONTACT LOCAL AUTHORITIES' TRAFFIC ENGINEERING DEPT. FOR INFORMATION ON DETOURS, OPEN CUTTING OF STREETS OR FOR ANY CONSTRUCTION WITHIN RIGHT-OF-WAY. N.C.D.O.T. RIGHT-OF-WAY: CONTACT PROJECT ENGINEERS AND OBTAIN ALL PERMITS AND ENCROACHMENTS (KEEP COPIES ON CONSTRUCTION SITE, ALSO CONTACT N.C.D.O.T. DISTRICT OFFICE 24 HOURS IN ADVANCE BEFORE PLACING CURB AND GUTTER).
- ALL DIMENSIONS AND GRADES SHOWN ON THE PLANS SHALL BE FIELD VERIFIED BY THE CONTRACTOR PRIOR TO CONSTRUCTION. CONTRACTOR SHALL NOTIFY THE OWNER IF ANY DISCREPANCIES EXIST. PRIOR TO PROCEEDING WITH CONSTRUCTION FOR NECESSARY PLAN OR GRADING CHANGES. NO EXTRA COMPENSATION SHALL BE PAID TO THE CONTRACTOR FOR ANY WORK DONE DUE TO DIMENSIONS OR GRADES SHOWN INCORRECTLY ON THESE PLANS IF SUCH NOTIFICATION HAS NOT BEEN GIVEN.
- POWER, TELEPHONE, AND GAS SERVICES TO BUILDINGS SHALL BE UNDERGROUND. ACCESS AND SERVICE ROUTES TO BE COORDINATED WITH THE PUBLIC UTILITIES, CONTRACTOR AND THE OWNER.
- RESURFACING OF STREET DUE TO UTILITY CUTS SHALL BE REQUIRED AT THE DIRECTION OF ENGINEERING. (MINIMUM 50' TO EITHER SIDE OF UTILITY CUTS).
- PROVIDE 10'-FT OF HORIZONTAL SEPARATION BETWEEN PROPOSED NEW WATER AND SEWER MAINS

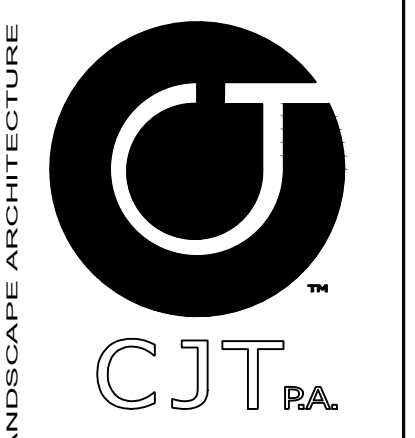
- SANITARY SEWER:**
- BACKWATER VALVES SHALL BE PROVIDED FOR ALL UNITS WITH FINAL FLOOR ELEVATIONS OF BUILDINGS LESS THAN 1'-0" ABOVE UPSTREAM MANHOLE.
  - MINIMUM COVER OF 5 FEET IN TRAFFIC AREAS TO BE PROVIDED FOR ALL COLLECTOR LINES 4 INCHES AND LARGER. IF LESS THAN 5 FEET, DUCTILE IRON PIPE SHALL BE REQUIRED.
  - MINIMUM SLOPE FOR 4 INCH SANITARY SEWER COLLECTION LINES SHALL BE NO LESS THAN 2.0% WITH CLEANOUTS EVERY 75 LINEAL FEET.
  - MINIMUM SLOPE FOR 6 INCH SANITARY SEWER COLLECTION LINES SHALL BE NO LESS THAN 1.0% WITH CLEANOUTS EVERY 75 LINEAL FEET.

- WATER:**
- LAY WATER MAINS AT LEAST 10 FEET LATERALLY FROM EXISTING OR PROPOSED SANITARY SEWERS. IF LOCAL CONDITIONS OR BARRIERS PREVENT A 10 FOOT SEPARATION, LAY THE WATER MAIN WITH AT LEAST 18" VERTICAL SEPARATION ABOVE THE TOP OF THE SANITARY SEWER PIPE EITHER IN A SEPARATE TRENCH OR IN THE SAME TRENCH ON A BENCH OF UNDISTURBED EARTH.
  - WHEN A PROPOSED WATER MAIN CROSSES OVER A PROPOSED OR EXISTING SANITARY SEWER, LAY THE WATER MAIN WITH AT LEAST 18" VERTICAL SEPARATION ABOVE THE TOP OF THE SANITARY SEWER. IF LOCAL CONDITIONS PREVENT AN 18" VERTICAL SEPARATION, CONSTRUCT BOTH THE WATER MAIN AND THE SANITARY SEWER FOR A DISTANCE OF 10 FEET ON EACH SIDE OF THE POINT OF CROSSING WITH FERROUS PIPE HAVING WATER MAIN QUALITY JOINTS.
  - WHEN A PROPOSED WATER MAIN CROSSES UNDER A PROPOSED OR EXISTING SANITARY SEWER, CONSTRUCT BOTH THE WATER MAIN AND THE SANITARY SEWER OF FERROUS MATERIALS WITH JOINTS THAT ARE EQUIVALENT TO WATER MAIN STANDARDS FOR A DISTANCE OF 10 FEET ON EACH SIDE OF THE POINT OF CROSSING. CENTER THE SECTION OF WATER PIPE AT THE POINT OF CROSSING.
  - MAINTAIN A MINIMUM COVER OF 36" AND MAXIMUM COVER OF 42" BELOW FINISHED GRADE OVER ALL PIPES UNLESS OTHERWISE DIRECTED OR SHOWN ON THE PLANS. DUE TO THE HEIGHTS OF VALVES, INCREASE THE COVER DEPTHS ADJACENT TO THE VALVES OR VARIED AT POINTS OF TIE-IN TO EXISTING LINES.
  - ALL FDC(S) AND HYDRANT(S) SHALL BE SIAMESE CONNECTIONS AND MEET TOWN OF CHAPEL HILL AND OWASA STANDARDS.
  - A FIRE HYDRANT IS REQUIRED WITHIN 100' OF THE FIRE DEPARTMENT CONNECTION (FDC).
  - WATER LINES WILL CONNECT TO THE WATER MAIN ON THE NORTH SIDE OF HOMESTEAD ROAD. CONSTRUCTION METHOD WILL BE OPEN CUT THE SHORT DISTANCE TO THE MAIN. ANY UTILITY CONNECTIONS REQUIRED TO THE SOUTH SIDE OF HOMESTEAD WILL BE BORED.

2 UTILITY NOTES  
CZ-5

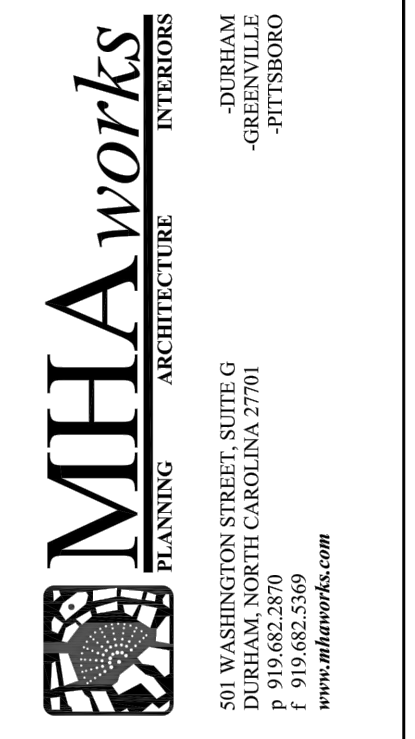
DONALD F FRALEY  
DB 2085 PG 22  
TM 7.24.12A  
PIN 9870-91-44

1 UTILITY PLAN  
CZ-5  
1"=50'



111 West Main Street  
Durham, N.C. 27701  
p 919.682.0368  
f 919.688.5646  
www.cjtpa.com

NC BOARD OF EXAMINERS FOR ENGINEERS AND SURVEYORS LIC # C-1209  
NC BOARD OF LANDSCAPE ARCHITECTS LIC # C-104

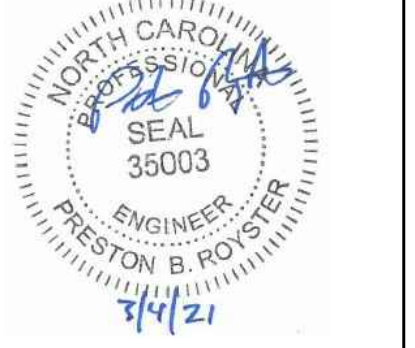


Project:

2200  
Homestead  
Road

Chapel Hill  
North Carolina

PIN: 9870912947



PRELIMINARY-DO NOT USE FOR CONSTRUCTION

CJT Job Number: 1748

Drawn	WLR PBR MTC
Checked	WLR PBR
Date	10-29-20
Revisions	CZ RESUBMITTAL 2-9-21
	CZ RESUBMITTAL 3-4-21

Conditional Zoning Plan

Sheet Title:

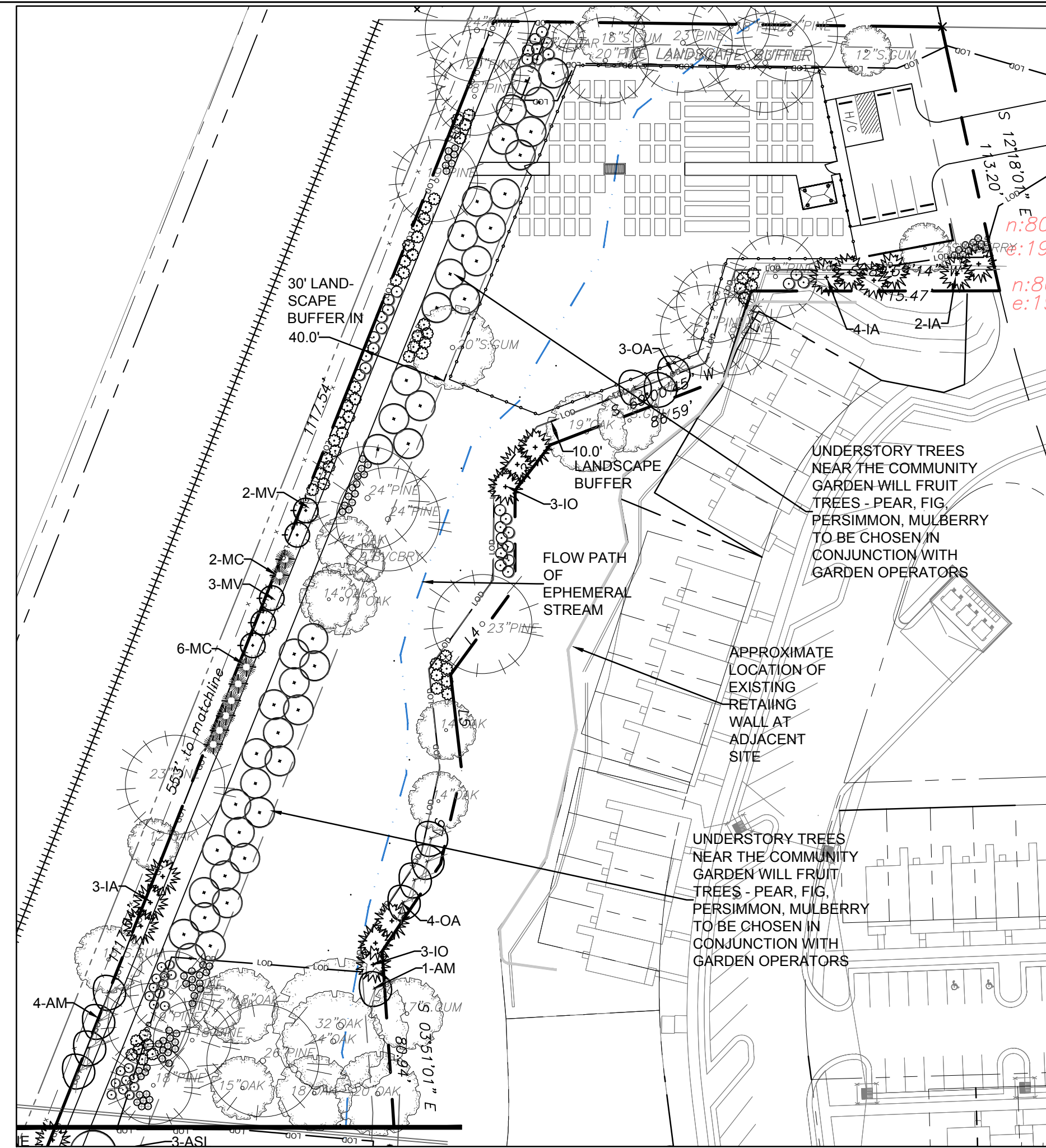
UTILITY PLAN

Sheet Number  
CZ-5.0

- LANDSCAPING MUST BE IN PLACE PRIOR TO REQUEST FOR A CERTIFICATE OF OCCUPANCY OR CERTIFICATE OF COMPLIANCE.
- CONTRACTOR SHALL FIELD VERIFY ALL DIMENSIONS, DEPTHS, QUANTITIES, DISTANCES, ANGLES AND SLOPES PRIOR TO ORDERING MATERIALS OR INSTALLING PROJECT.
- IN AREAS OF GROUND COVER, MAINTAIN A 12" MINIMUM DISTANCE BETWEEN PLANTS AND HARD IMPROVEMENTS.
- BED LINES SHALL CONFORM TO CONFIGURATION SHOWN ON THE PLANS. BED LINES SHALL MEET CURBS, WALKS, BUILDINGS, ETC. AT RIGHT ANGLES UNLESS SHOWN OTHERWISE.
- CONTRACTOR SHALL VISIT THE SITE AND FAMILIARIZE THEMSELVES WITH ACTUAL CONDITIONS AND VERIFY EXISTING CONDITIONS IN THE FIELD. CONTRACTOR SHALL REPORT ALL DISCREPANCIES TO LANDSCAPE ARCHITECT.
- CONTRACTOR SHALL ACCEPT ACTUAL CONDITIONS AT SITE AND PERFORM THE WORK SPECIFIED INCLUDING FINE GRADING AND INCORPORATION OF TOP SOIL INTO PLANTING AREAS, WITHOUT ADDITIONAL COMPENSATION FOR POSSIBLE VARIATION FROM GRADES AND CONDITIONS SHOWN, WHETHER SURFACE OR SUBSURFACE, EXCEPT AS PROVIDED FOR IN CONTRACT DOCUMENTS.
- IN LAWN AREAS, 2" TOPSOIL/COMPOST SHALL BE TILLED INTO THE TOP 5" OF GROUND PRIOR TO SEEDING. IN LANDSCAPE BEDS, 3" TOPSOIL/COMPOST SHALL BE TILLED INTO THE TOP 6" OF GROUND PRIOR TO PLANT INSTALLATION.
- CONTRACTOR WILL OBTAIN WRITTEN APPROVAL FROM LANDSCAPE ARCHITECT FOR ANY PLANT SUBSTITUTIONS OF SPECIES, SIZE, OR TYPE OF CONTAINER.
- CONTRACTOR SHALL LOCATE ALL UNDERGROUND UTILITIES PRIOR TO CONSTRUCTION AND SHALL BE RESPONSIBLE FOR THE PROTECTION OF THESE UTILITIES DURING INSTALLATION, AND SHALL PROMPTLY REPAIR AND RESTORE SERVICES AT NO ADDITIONAL COST TO THE OWNER IF DAMAGE OCCURS DURING INSTALLATION. CONTRACTOR SHALL BECOME THOROUGHLY FAMILIAR WITH THE FULL SET OF CONSTRUCTION DRAWINGS AND SPECIFICATIONS FOR COORDINATION WITH UTILITIES, ARCHITECTURAL FEATURES, ETC.
- CONTRACTOR WILL LEAVE DISTURBED AREAS LEVEL AND RAKED SMOOTH, REMOVING ALL ROCKS AND DEBRIS.
- MULCH IS TO BE A 3" LAYER OF TRIPLE SHREDDED HARDWOOD MULCH. MULCH IS TO BE KEPT AWAY FROM TREE TRUNKS.
- ANY DAMAGE TO EXISTING CONDITIONS OUTSIDE THE CONTRACT LIMITS, INCLUDING CURBS, SIDEWALKS, TURF AREAS AND PAVING, SHALL BE RESTORED TO ORIGINAL CONDITION BY THE CONTRACTOR WITHOUT EXTRA COST TO THE OWNER.
- IN CASE OF DISCREPANCY BETWEEN THE QUANTITY OF PLANTS ON THE PLANS COMPARED TO THE PLANT LIST, THE CONTRACTOR SHALL SUPPLY QUANTITIES AS SHOWN ON THE PLANS.
- ALL UNPAVED SURFACES ARE TO BE COVERED IN PLANTS, MULCH, OR GRASS.
- LINE OF SIGHT NOTE: NO PROPOSED LANDSCAPING WITHIN THE LINE OF SIGHT EASEMENT SHALL EXCEED 24" AT MATURITY. ANY NEW TREES SHALL BE LIMBED TO 7' ABOVE FINISHED GRADE.
- ANY INVASIVE, EXOTIC PLANT MATERIAL WILL BE REMOVED. A SURVEY OF EXISTING THE LANDSCAPE BUFFERS TO REMAIN WILL BE CONDUCTED FOLLOWING INITIAL CLEARING, AND ANY INVASIVE OR EXOTIC SPECIES FOUND WILL BE REMOVED.
- THE AREA WITHIN THE SIGHT TRIANGLE AREA SHALL BE THINNED OF ALL SHRUBS, TREES LARGER THAN 1" CAL SHALL BE LIMBED UP TO 7' ABOVE EXISTING GRADE TO IMPROVE VISIBILITY.

3 PLANTING NOTES

CZ-7



LANDSCAPE PLAN - NORTH SITE

QTY	KEY	BOTANICAL NAME	COMMON NAME	SIZE	SPACING	REMARKS
<b>CANOPY TREES</b>						
14	AF	Acer freemanii	Freeman Maple	2.5" CAL.	14' ht.	AS SHOWN SINGLE TRUNK & LEADER
5	AR	Acer rubrum 'Autumn Glory'	Autumn Glory Maple	2.5" CAL.		SINGLE TRUNK & LEADER
23	ASL	Acer saccharum 'Legacy'	Legacy Sugar Maple	2.5" CAL.		SINGLE TRUNK & LEADER
15	BN	Betula nigra 'heritage'	Heritage River Birch	3" CAL total	14' ht.	AS SHOWN 3 TRUNK MINIMUM
6	MG	Magnolia grandifolia	Southern Magnolia	2.5" CAL.		
16	NS	Nyssa sylvatica	Black gum	2.5" CAL.	14' ht.	AS SHOWN SINGLE TRUNK & LEADER
33	PV	Pinus virginiana	Virginia Pine	2" cal.	12' ht.	AS SHOWN SINGLE TRUNK & LEADER
8	PS	Prunus sargentii	Sargent Cherry	2" cal.		AS SHOWN SINGLE TRUNK & LEADER
8	QS	Quercus shumardii	Shumard Oak	2.5" CAL.	12' ht.	AS SHOWN SINGLE TRUNK & LEADER
3	QV	Quercus virginiana	Live Oak	2.5" CAL.	12' ht.	AS SHOWN SINGLE TRUNK & LEADER
5	TD	Taxodium distichum	Bald Cypress	2.5" CAL.	12' ht.	AS SHOWN SINGLE TRUNK & LEADER
10	UP	Ulmus americana 'Princeton'	Princeton American Elm	2.5" CAL.	14' ht.	AS SHOWN SINGLE TRUNK & LEADER
146						
<b>UNDERSTORY TREES</b>						
26	AM	Amerlanchier arborea	Serviceberry	1" cal.	8' HT.	AS SHOWN MULTI-TRUNK
15	CC	Cercis canadensis 'Hearts of Gold'	Hearts of Gold Redbud	1" cal.	8' HT.	AS SHOWN SINGLE TRUNK & LEADER
28	CF	Cornus florida	Dogwood	1" cal.	8' HT.	AS SHOWN
10	CV	Chionanthus virginiana	Fringetree	1" cal.	8' HT.	AS SHOWN
30	IA	Ilex x atenuata 'Fosteri'	Foster Holly	8' ht.	AS SHOWN	
18	INS	Ilex Nellie Stevens	Nellie Stevens Holly	8' ht.	AS SHOWN	
16	IO	Ilex opaca	American Holly	1" cal.	6' HT.	8' O.C. SINGLE TRUNK & LEADER
28	JV	Juniperus virginiana	Eastern Redcedar	8' HT.	AS SHOWN	FULL AND MATCHING
7	LI	Lagerstroemia indica 'Natchez'	Natchez Grape Myrtle	8-10' HT.	AS SHOWN	MULTI-TRUNK
57	MC	Myrica cerifera	Eastern Waxmyrtle	8' HT.	AS SHOWN	FULL
6	MLG	Magnolia grandiflora 'Little Gem'	Little Gem Magnolia	1.5" cal.	8' ht.	10' O.C. FULL AND MATCHING
22	MV	Magnolia virginiana	Sweetbay Magnolia	1.5" cal.	8' ht.	AS SHOWN FULL
18	OA	Oxydendron arboreum	Sourwood	1.5" cal.	8' HT.	AS SHOWN FULL
27	TGG	Thuja x Green Giant	Green Giant Arborvitae	1.5" cal.	8' HT.	AS SHOWN FULL
42		Fig, pear, persimmon, mulberry trees for planting near community garden		8' ht.	12' O.C.	FULL
350						
<b>SHRUBS</b>						
	CJ	Camellia japonica	Camellia	24" ht.		5' o.c. FULL AND MATCHING
	CHF	Cephalotaxus harringtonia 'Fas'	Upright Plum Yew	24" ht		5' o.c. FULL AND MATCHING
	DG	Deutzia gracilis	Slender Deutzia	24" ht		4' o.c. FULL
	GJ	Gardenia jasminoides	Gardenia	24" ht		5' o.c. FULL AND MATCHING
	HQ	Hydrangea quercifolia	Oakleaf Hydrangea	24" ht		5' o.c. FULL AND MATCHING
	ICC	Ilex cornuta 'carissa'	Carissa Holly	15" HT.	30" O.C.	FULL AND MATCHING
	IG	Ilex glabra	Inkberry Holly	15" HT.	36" O.C.	FULL AND MATCHING
	IL	Illicium parvifolia	Anise	24" ht		4' o.c. FULL AND MATCHING
	IVN	Ilex vomitoria 'Nana'	Dwarf Yaupon Holly	24" ht		
	JC	Juniperus chinensis 'Sea Green'	Sea Green Juniper	18" HT.	36" O.C.	FULL AND MATCHING
	LE	Loropetalum chinense 'Emerald'	Emerald Loropetalum	15" HT.	36" O.C.	FULL AND MATCHING
	LOR	Loropetalum chinense	Loropetalum	24" ht	42" O.C.	FULL AND MATCHING
	PEN	Pennisetum	Fountain Grass	1 gal	36" O.C.	FULL AND MATCHING
	PC	Prunus caroliniana 'Otto Luyken'	Otto Luyken	18" HT.	36" O.C.	FULL AND MATCHING
	SR	Sarcococca rustica	Sweetbox	18" HT.	36" O.C.	FULL AND MATCHING
	WS	Weigela 'Florida Variegata'	Variegated Weigela	18" HT.	36" O.C.	FULL AND MATCHING
0						
<b>GROUND COVER</b>						
	AR	LAWN/Fescue	3 var improved seed mix			SEED

3 PLANT LIST

CZ-7



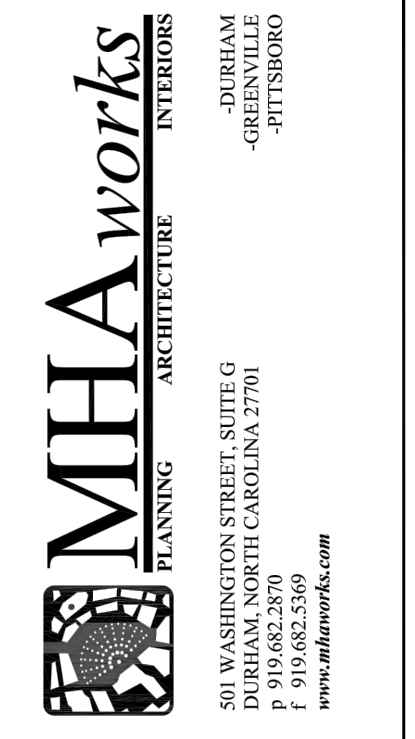
LANDSCAPE PLAN



111 West Main Street  
Durham, N.C. 27701  
p 919.682.0368  
f 919.688.5646  
www.cjtpa.com

NC BOARD OF EXAMINERS FOR ENGINEERS AND SURVEYORS LIC # C-1209

NC BOARD OF LANDSCAPE ARCHITECTS LIC # C-104

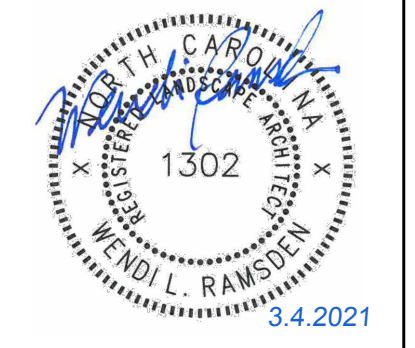


Project:

2200 Homestead Road

Chapel Hill North Carolina

Pin: 9870912947



PRELIMINARY-DO NOT USE FOR CONSTRUCTION

CJT Job Number: 1748

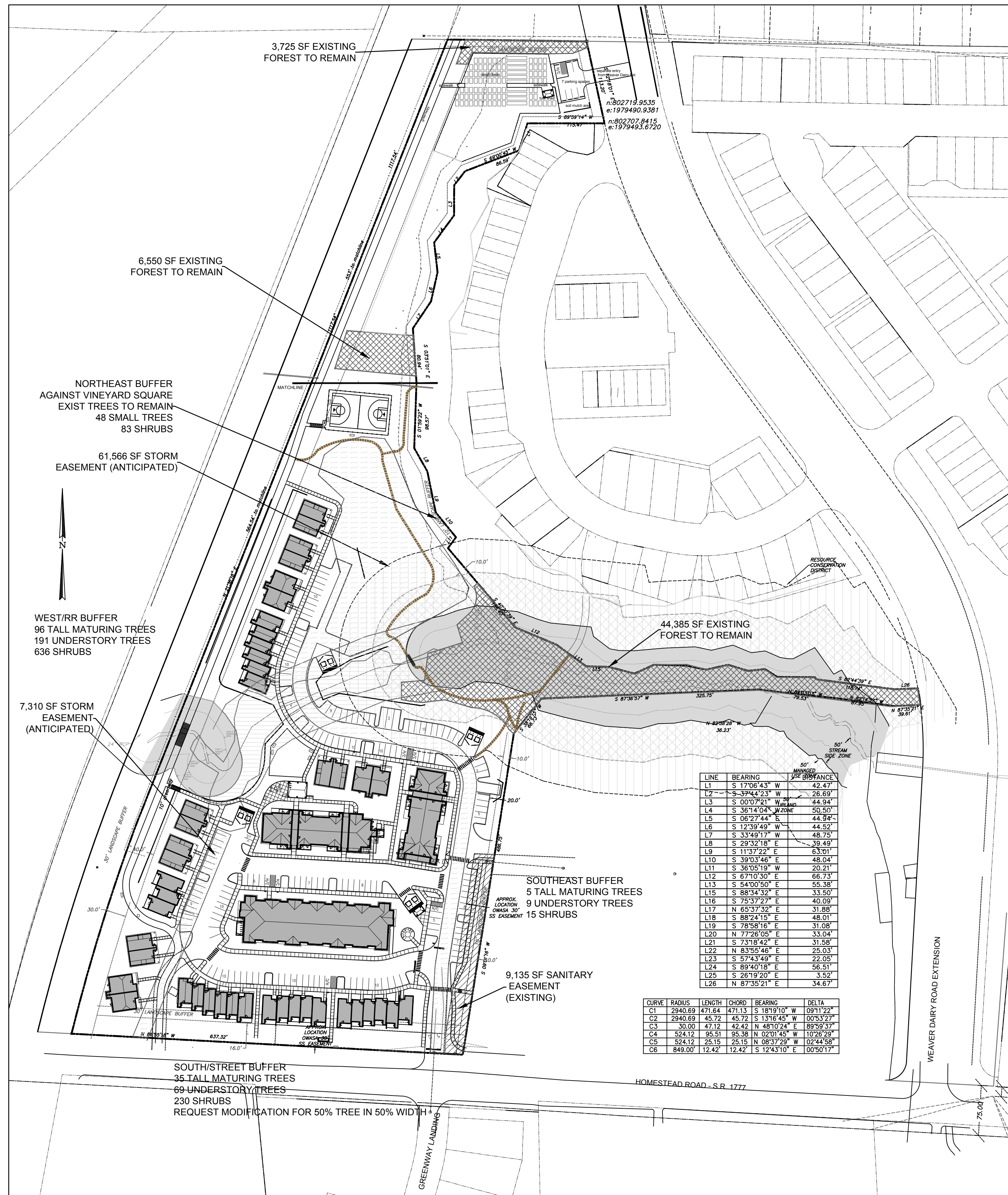
Drawn	WLR PBR MTC
Checked	WLR PBR
Date	10-29-20
Revisions	CZ RESUBMITTAL 2-9-21
	CZ RESUBMITTAL 3-4-21

Conditional Zoning Plan

Sheet Title:

LANDSCAPE PLAN

Sheet Number  
CZ-7.0



1 LANDSCAPE CALCULATION KEY  
1"=100'



2 TREE COVERAGE SUMMARY  
CD-7.1

TREE COVERAGE CALCULATIONS

NET LAND AREA: 541,157 SF  
 LESS ANTICIPATED STORM EASEMENT 68,876 SF  
 LESS EXISTING UTILITY EASEMENTS 9,135 SF (private water and sewer)  
 LESS ANTICIPATED LAND TO PUBLIC ROW 11,055 SF  
 NET SITE SIZE 452,091 SF

REQUIRED TREE COVERAGE 30% OF SITE = 135,627 SF

PROVIDED TREE COVERAGE:  
 RETAINED CANOPY COVERAGE: 54,660 SF  
 162 NEW CANOPY TREES X 500 SF = 81,000 SF CREDIT  
 TOTAL TREE COVERAGE = 135,660 SF = 30%

3 BUFFER CALCULATION SUMMARY  
CD-7.1

# Required per 100'	Required Plantings:	Existing	
		Plantings	Plantings Provided
<b>West Buffer "D" - against railway tracks</b>			
30' Wide	6 Large Tree = 95.4	96 Large Trees	0 = 96 Large Trees
1589 LF (Internal)	12 Small Tree = 190.7	191 Small Trees	191 Small Trees
	40 Shrubs = 635.6	636 Shrubs	0 = 636 Shrubs
<b>South Buffer "D" - Homestead Frontage</b>			
Modification request to reduce buffer to 50% requirement due to shifting right of way			
Plant half of:			
30' Wide	6 Large Tree = 34.5	18 Large Trees	0 = 18 Large Trees
574 LF (External)	12 Small Tree = 68.9	35 Small Trees	35 Small Trees
	40 Shrubs = 229.6	115 Shrubs	0 = 115 Shrubs
<b>Southeast Buffer "B" - Adjacent to Bridgepoint</b>			
Modification request to plant nothing - to be installed on adjacent parcel 313			
Plant none of:			
0 Wide	4 Large Tree = 6.3	7 Large Trees	0 = 7 Large Trees
313 LF (Internal)	7 Small Tree = 11.0	11 Small Trees	11 Small Trees
	12 Shrubs = 18.8	19 Shrubs	0 = 19 Shrubs
<b>Mideast Buffer "B" - Adjacent to Bridgepoint</b>			
Entire buffer width will be planted on project parcel 181			
10' Wide	4 Large Tree = 3.7	4 Large Trees	0 = 8 Large Trees
181 LF (Internal)	7 Small Tree = 6.4	7 Small Trees	13 Small Trees
	12 Shrubs = 10.9	11 Shrubs	0 = 22 Shrubs
<b>Northeast Buffer "B" - Adjacent to Vineyard Square</b>			
10' Wide	4 Large Tree = 27.4	28 Large Trees	28 = 0 Large Trees
1036 LF (Internal)	7 Small Tree = 47.9	48 Small Trees	48 Small Trees
	12 Shrubs = 82.1	83 Shrubs	0 = 83 Shrubs

4 PARKING LOT CALCULATION SUMMARY  
CD-7.1

Lot	Paved Area	# Required per 2000 Sf	Required Plantings:	Plantings Provided
South	14,625 SF	1 Canopy Tree	7.4	8 Large Trees
West	10,100 SF	1 Canopy Tree	5.1	6 Large Trees
Middle	11,555 SF	1 Canopy Tree	5.8	6 Large Trees
East	21,255 SF	1 Canopy Tree	10.7	11 Large Trees
Northwest	23,720 SF	1 Canopy Tree	11.9	12 Large Trees



111 West Main Street  
 Durham, N.C. 27701  
 p 919.682.0368  
 f 919.688.5646  
 www.cjtpa.com

NC BOARD OF EXAMINERS FOR ENGINEERS AND SURVEYORS  
 LIC # C-1209

NC BOARD OF LANDSCAPE ARCHITECTS  
 LIC # C-104

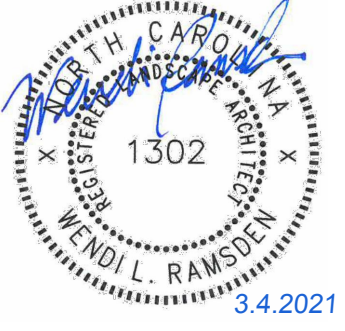


Project:

2200 Homestead Road

Chapel Hill North Carolina

PIN: 9870912947



PRELIMINARY-DO NOT USE FOR CONSTRUCTION

CJT Job Number: 1748

Drawn	WLR PBR MTC
Checked	WLR PBR
Date	10-29-20
Revisions	C2 RESUBMITTAL 2-9-21
	C2 RESUBMITTAL 3-4-21

Conditional Zoning Plan

Sheet Title:

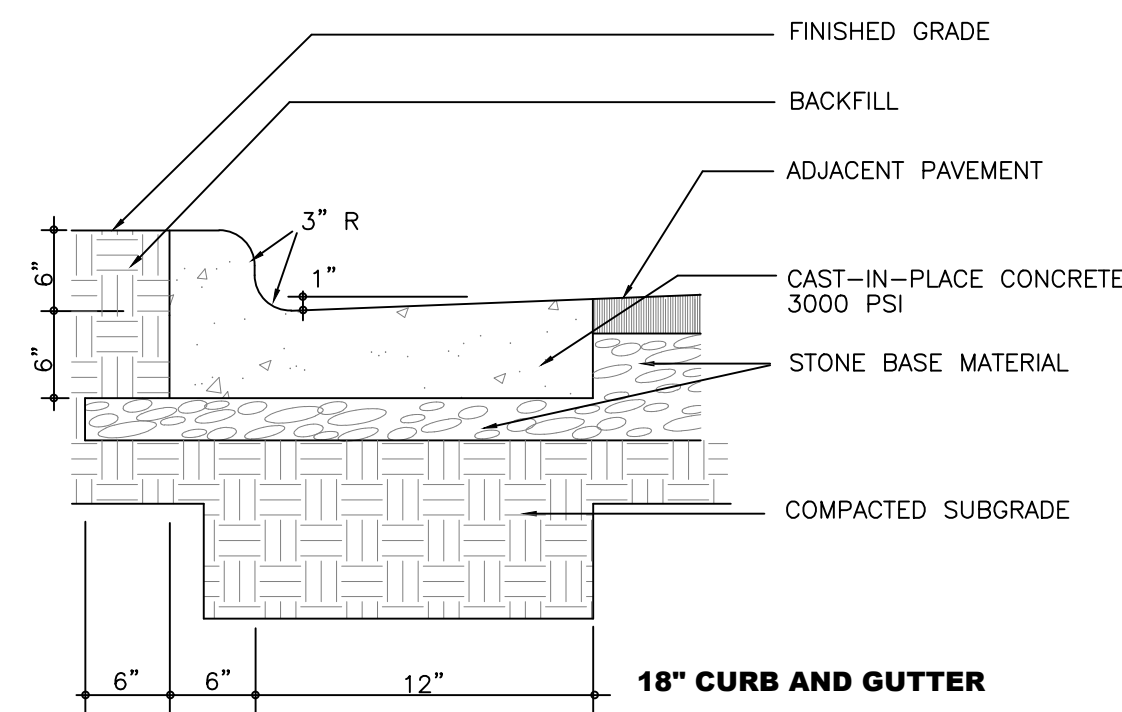
LANDSCAPE PLAN

Sheet Number

CZ-7.1



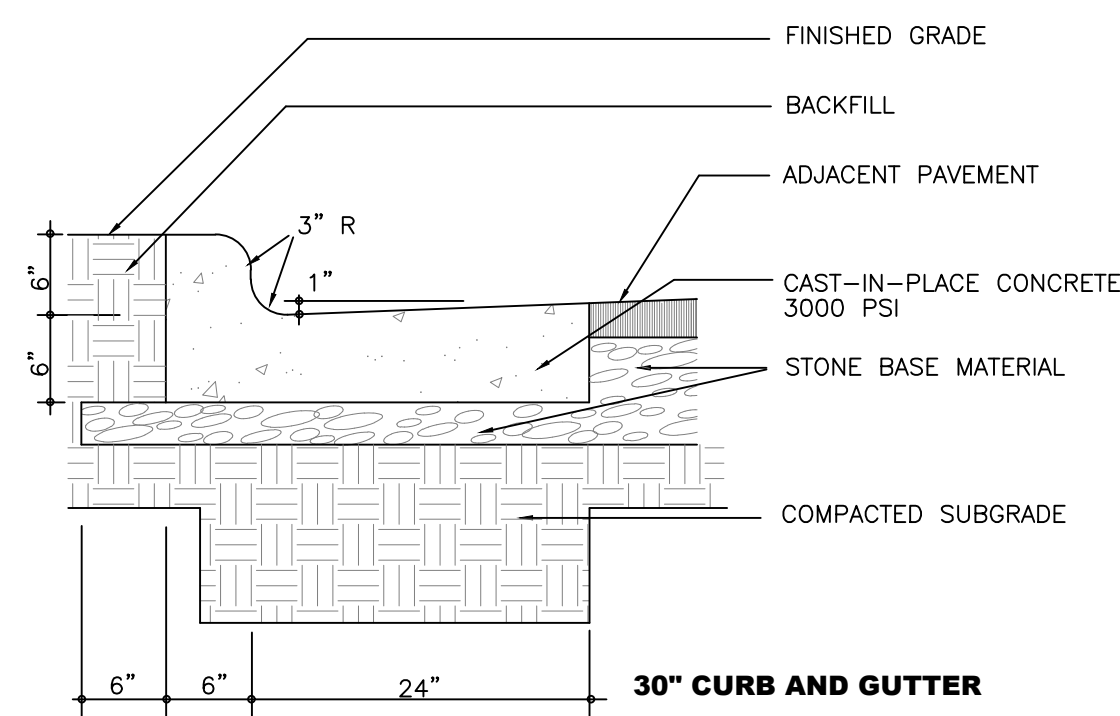
-CONTRACTION JOINTS SHALL BE SPACED AT 10 FOOT INTERVALS. EXCEPT THAT A 15 FOOT SPACING MAY BE USED WHEN A MACHINE IS USED OR WHEN SATISFACTORY SUPPORT FOR THE FACE FORM CAN BE OBTAINED WITHOUT THE USE OF TEMPLATES AT 10 FOOT INTERVALS. JOINT SPACING MAY BE ALTERED BY THE ENGINEER TO PREVENT UNCONTROLLED CRACKING.  
 -CONTRACTION JOINTS MAY BE INSTALLED BY THE USE OF TEMPLATES OR FORMED BY OTHER APPROVED METHODS. WHERE SUCH JOINTS ARE NOT FORMED BY TEMPLATES, A MINIMUM DEPTH OF 1 1/2" SHALL BE MAINTAINED.  
 -ALL CONTRACTION JOINTS SHALL BE FILLED WITH JOINT FILLER.  
 -JOINTS SHALL MATCH LOCATIONS WITH JOINT IN ABUTTING SIDEWALK.  
 -EXPANSION JOINTS SHALL BE SPACED AT 90 FOOT INTERVALS AND ADJACENT TO ALL RIGID OBJECTS.



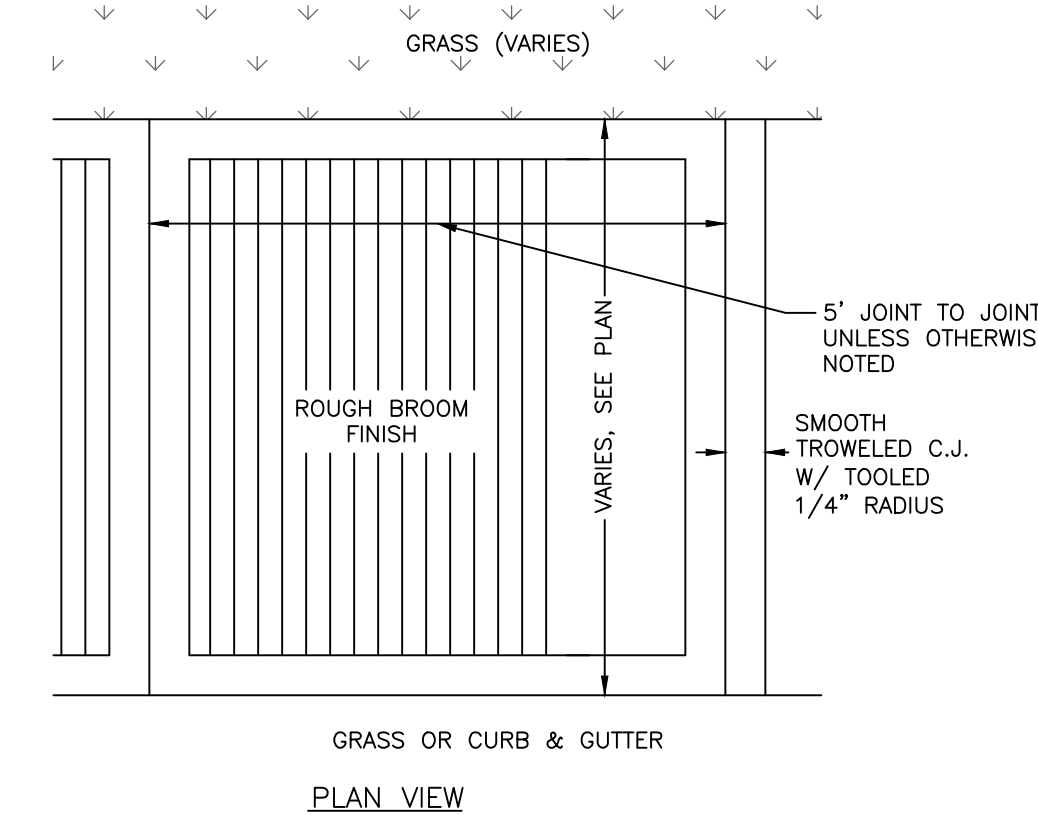
NOTE THAT THIS DETAIL DOES NOT MEET NC DOT REQUIREMENTS. ANY CURB AND GUTTER TO BE CONSTRUCTED IN THE OLD MASON FARM ROAD RIGHT OF WAY IS TO FOLLOW NC DOT STANDARDS RE: 2/C700

1 ON SITE CURB & GUTTER  
 CZ-8.0 no scale

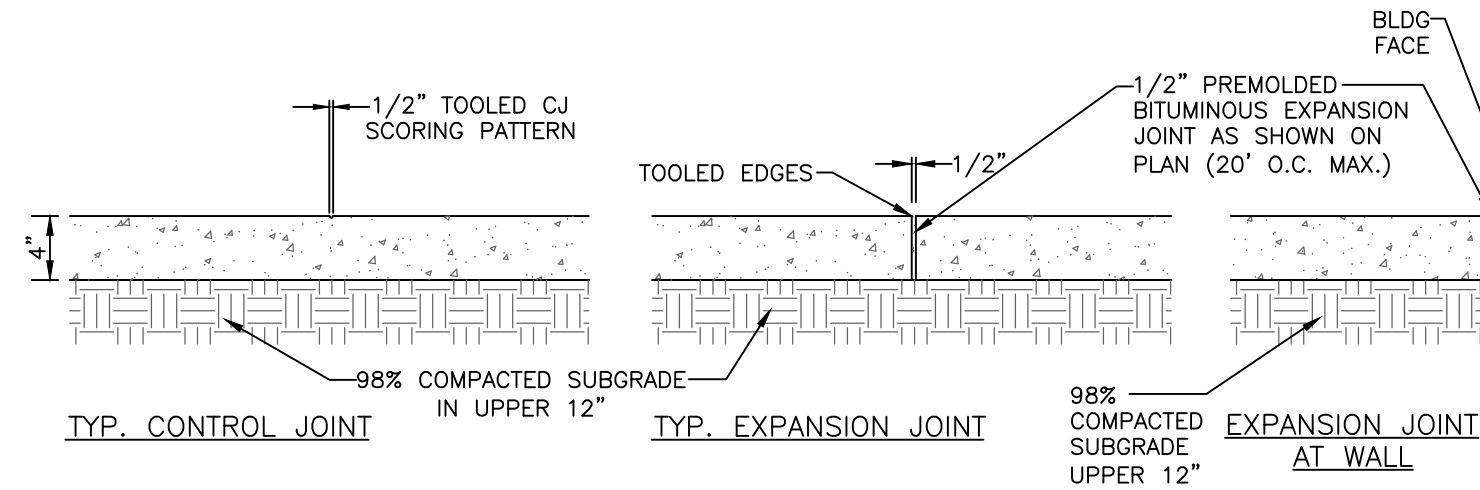
-CONTRACTION JOINTS SHALL BE SPACED AT 10 FOOT INTERVALS. EXCEPT THAT A 15 FOOT SPACING MAY BE USED WHEN A MACHINE IS USED OR WHEN SATISFACTORY SUPPORT FOR THE FACE FORM CAN BE OBTAINED WITHOUT THE USE OF TEMPLATES AT 10 FOOT INTERVALS. JOINT SPACING MAY BE ALTERED BY THE ENGINEER TO PREVENT UNCONTROLLED CRACKING.  
 -CONTRACTION JOINTS MAY BE INSTALLED BY THE USE OF TEMPLATES OR FORMED BY OTHER APPROVED METHODS. WHERE SUCH JOINTS ARE NOT FORMED BY TEMPLATES, A MINIMUM DEPTH OF 1 1/2" SHALL BE MAINTAINED.  
 -ALL CONTRACTION JOINTS SHALL BE FILLED WITH JOINT FILLER.  
 -JOINTS SHALL MATCH LOCATIONS WITH JOINT IN ABUTTING SIDEWALK.  
 -EXPANSION JOINTS SHALL BE SPACED AT 90 FOOT INTERVALS AND ADJACENT TO ALL RIGID OBJECTS.



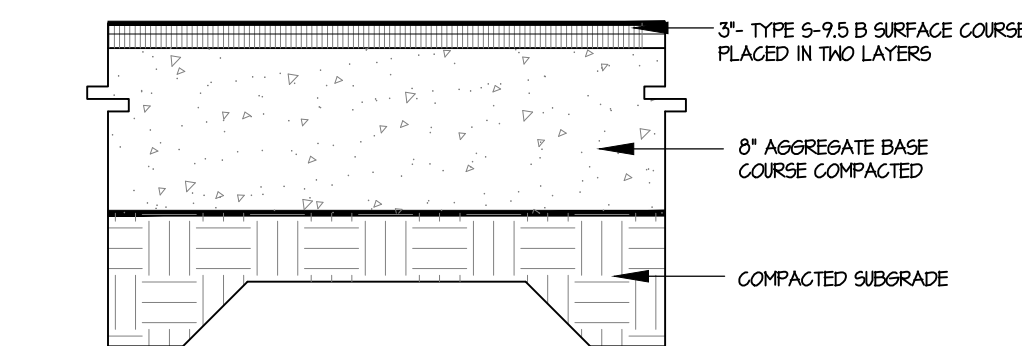
2 OFF SITE CURB & GUTTER  
 CZ-8.0 no scale



3 CONCRETE SIDEWALK  
 CZ-8.0 no scale

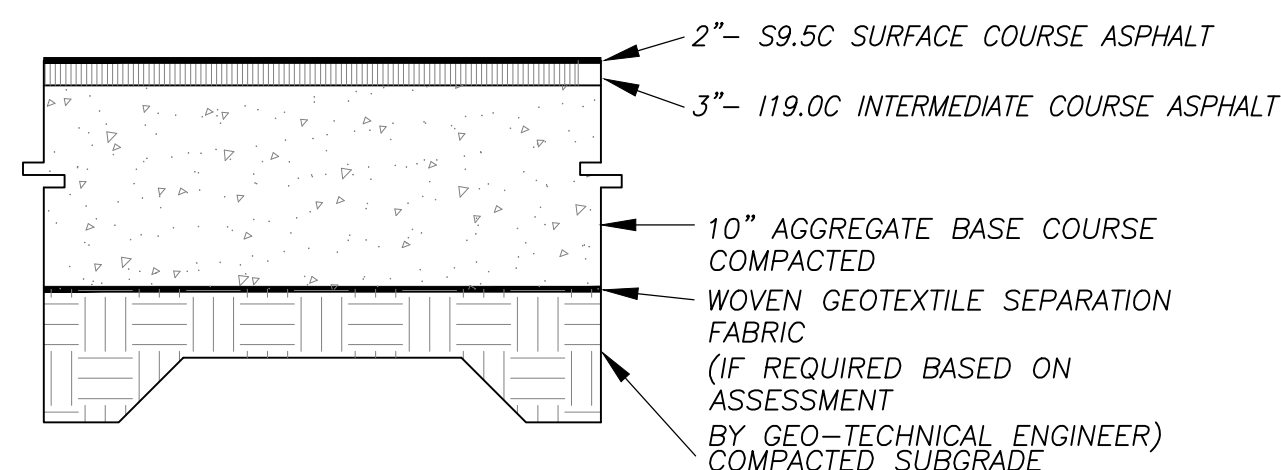


NOTES:  
 1) 4" THICK CONC., 3000 PSI MIN.  
 2) ALL SIDEWALK ARE TO HAVE MAXIMUM 1.8% CROSS SLOPE  
 3) USE 1/2" BITUMINOUS EXPANSION JOINT A MAX. OF 20' O.C. AND WHENEVER CONCRETE WALK MEETS FIXED OBJECTS (I.E. CURBS, BLDG. ETC.), EXPANSION JOINTS THAT ABUT BUILDINGS WALL SHALL BE SEALED WITH A FOAM BACKER ROD AND ELASTOMERIC SEALANT.  
 ALL CONSTRUCTION JOINTS AND EXPANSION JOINTS IN NCDOT RIGHT-OF-WAY SHALL BE SEALED PER NCDOT STANDARDS AND SPECIFICATION.  
 4) ALL SIDEWALKS SHALL BE CONSTRUCTED WITH TOOLED 1/4" EDGE RADIUS.



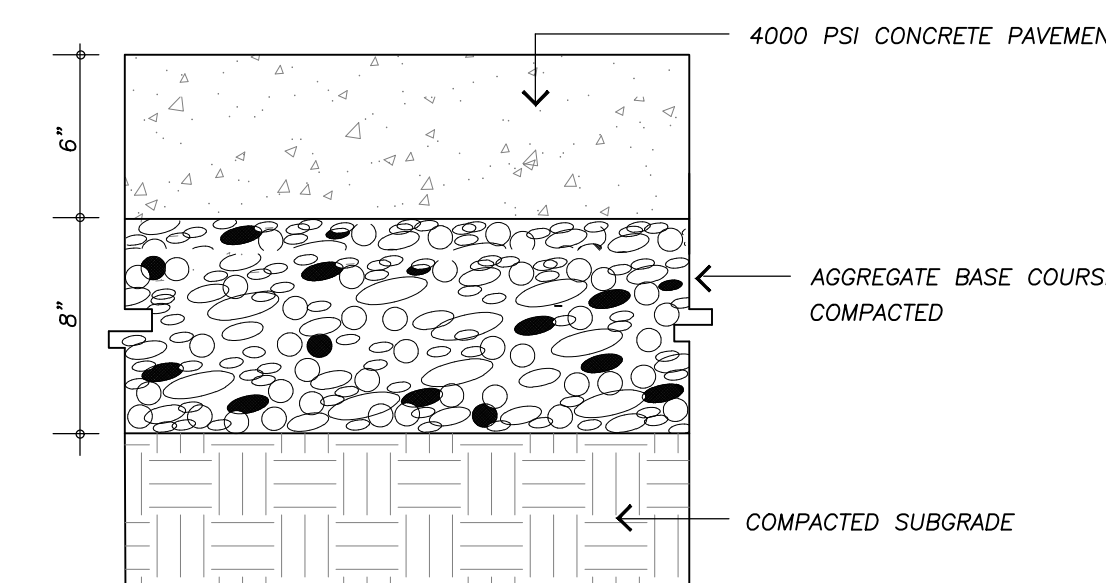
FINAL PAVEMENT SECTION IS PROVIDED BY GEO-TECHNICAL ENGINEER BASED SITE SPECIFIC GEO-TECHNICAL REPORT

4 STANDARD ASPHALT PAVING  
 CZ-8.0 no scale



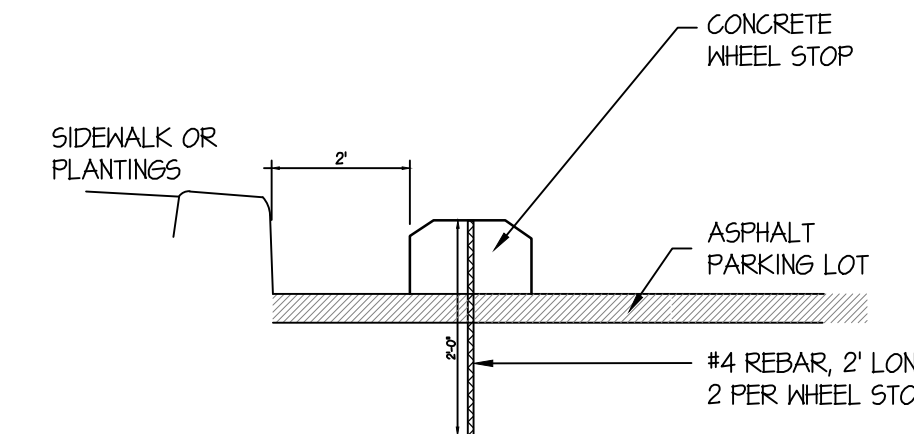
FINAL PAVEMENT SECTION IS PROVIDED BY GEO-TECHNICAL ENGINEER BASED SITE SPECIFIC GEO-TECHNICAL REPORT

5 HEAVY DUTY ASPHALT PAVING  
 CZ-8.0 no scale

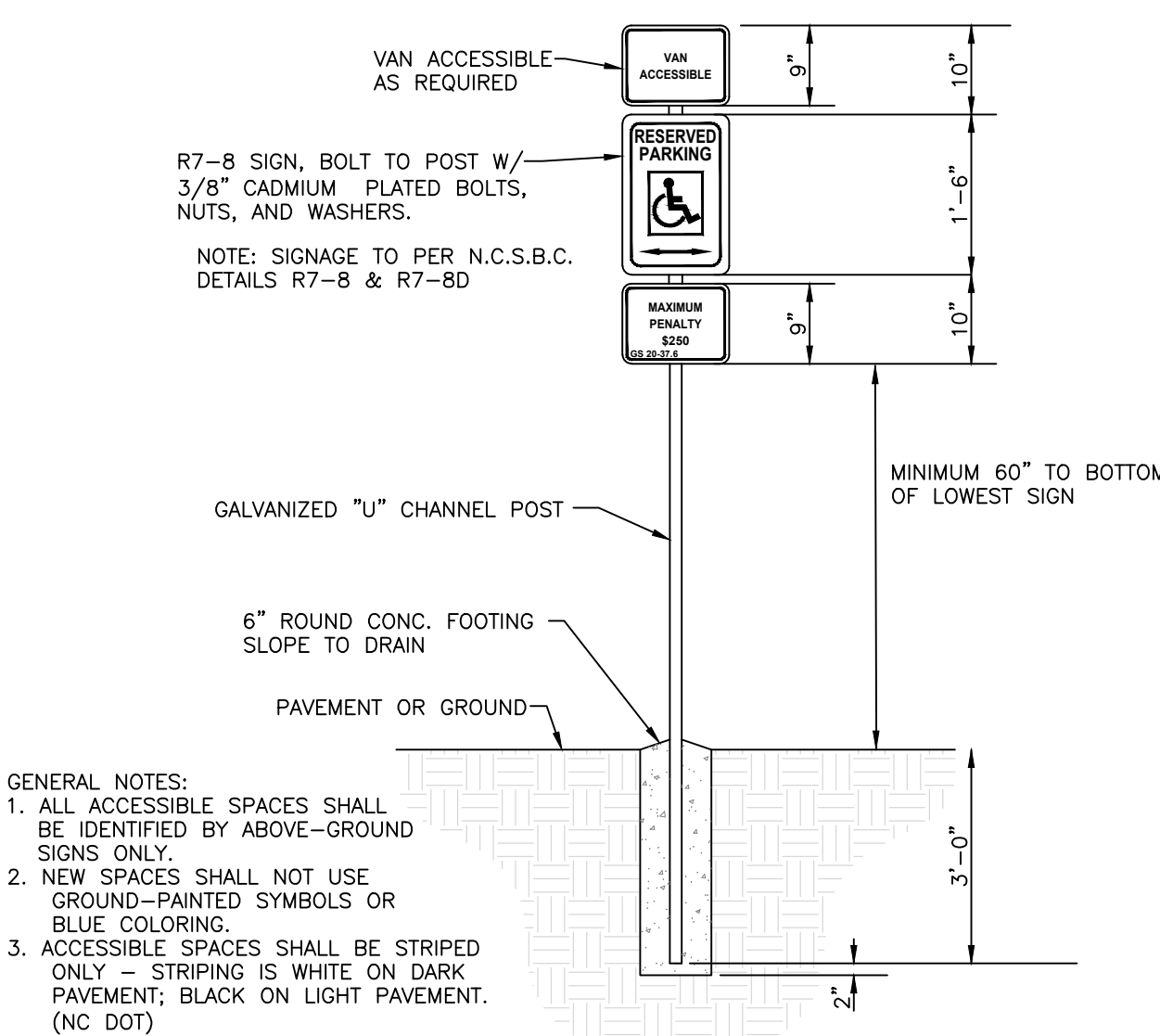


NOTES:  
 1. ALL CONCRETE TO 4000 PSI, PROPERLY AIR ENTRAINED FOR EXTERIOR GRADE CONCRETE MIXES.  
 2. C&G BASE AND SOIL SUBGRADE TO BE COMPACTED TO 98% OF THE ASTM D-698 STD. PROCTOR MOD IN ACCORDANCE WITH THE REPORT BY THE GEOTECHNICAL ENGINEER AND PROFFERED AND APPROVED BY GEOTECHNICAL PERSONNEL.  
 3. CONTRACTOR SHALL INSTALL CONTRACTION AND EXPANSION JOINTS AS NECESSARY TO MINIMIZE CRACKING. CONTRACTION JOINTS SHALL BE SPACED AT 10' MAXIMUM EACH WAY WITH ACTUAL PATTERN BASED ON FIELD CONDITIONS. JOINTS SHALL BE TOOLED OR SAW CUT TO A MINIMUM DEPTH OF 2". EXPANSION JOINTS SHALL BE INSTALLED BETWEEN PAVEMENT AND ANY RIGID OBJECTS AND SPACED AS SPECIFIED IN LATEST VERSION OF ACI STANDARDS.  
 4. ALL PAVEMENT CONSTRUCTION SHALL BE IN ACCORDANCE WITH LATEST VERSION OF ACI STANDARDS AND THE REPORT BY THE GEOTECHNICAL ENGINEER.

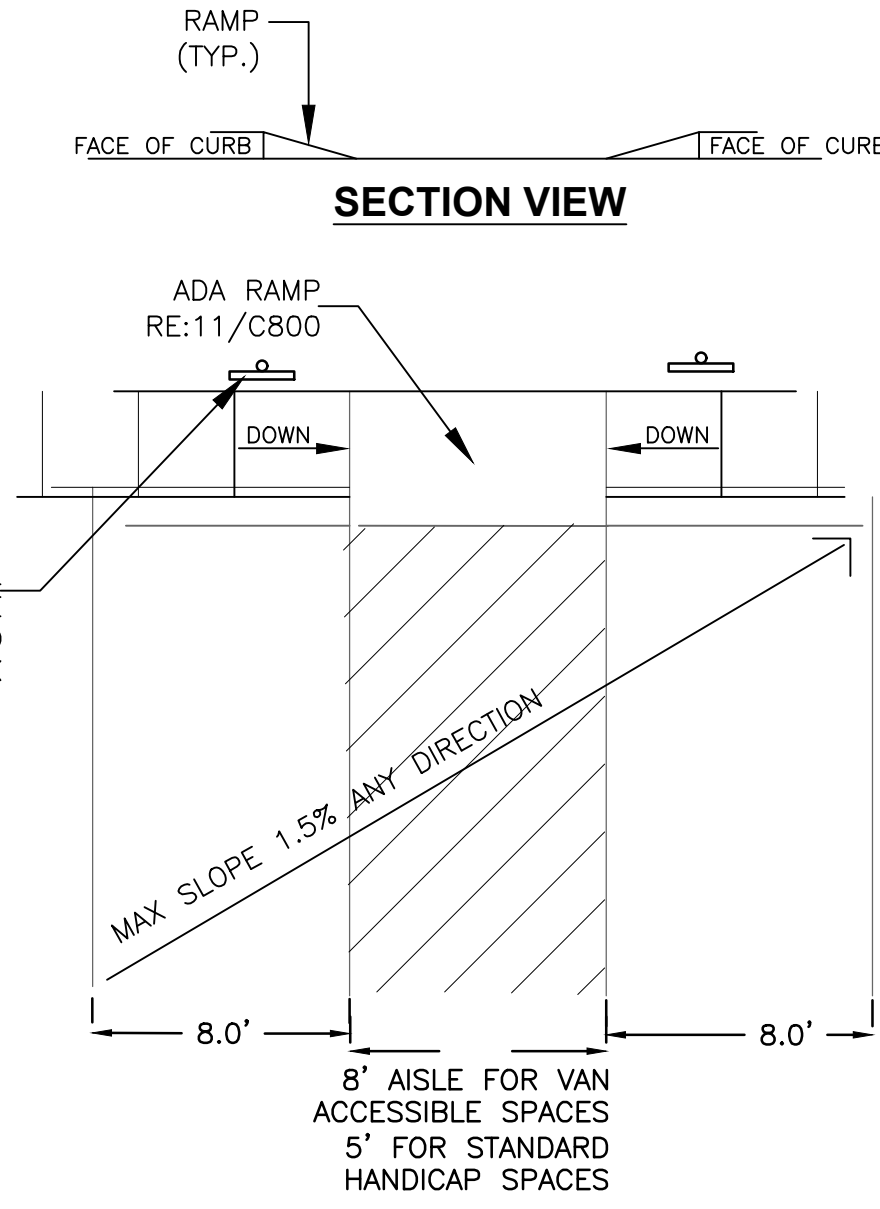
6 HEAVY DUTY CONCRETE PAVING  
 CZ-8.0 no scale



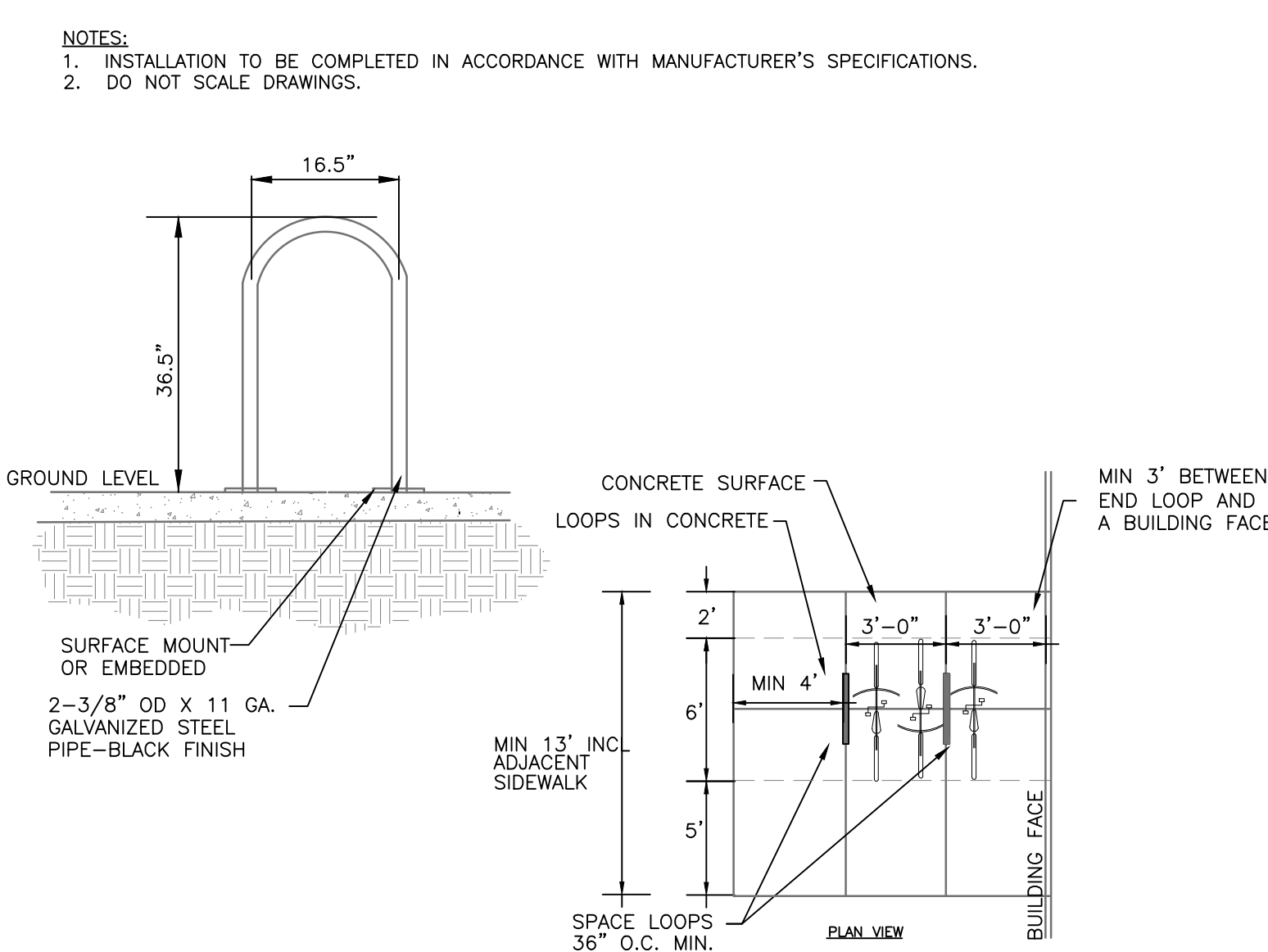
7 WHEELSTOP  
 CZ-8.0 no scale



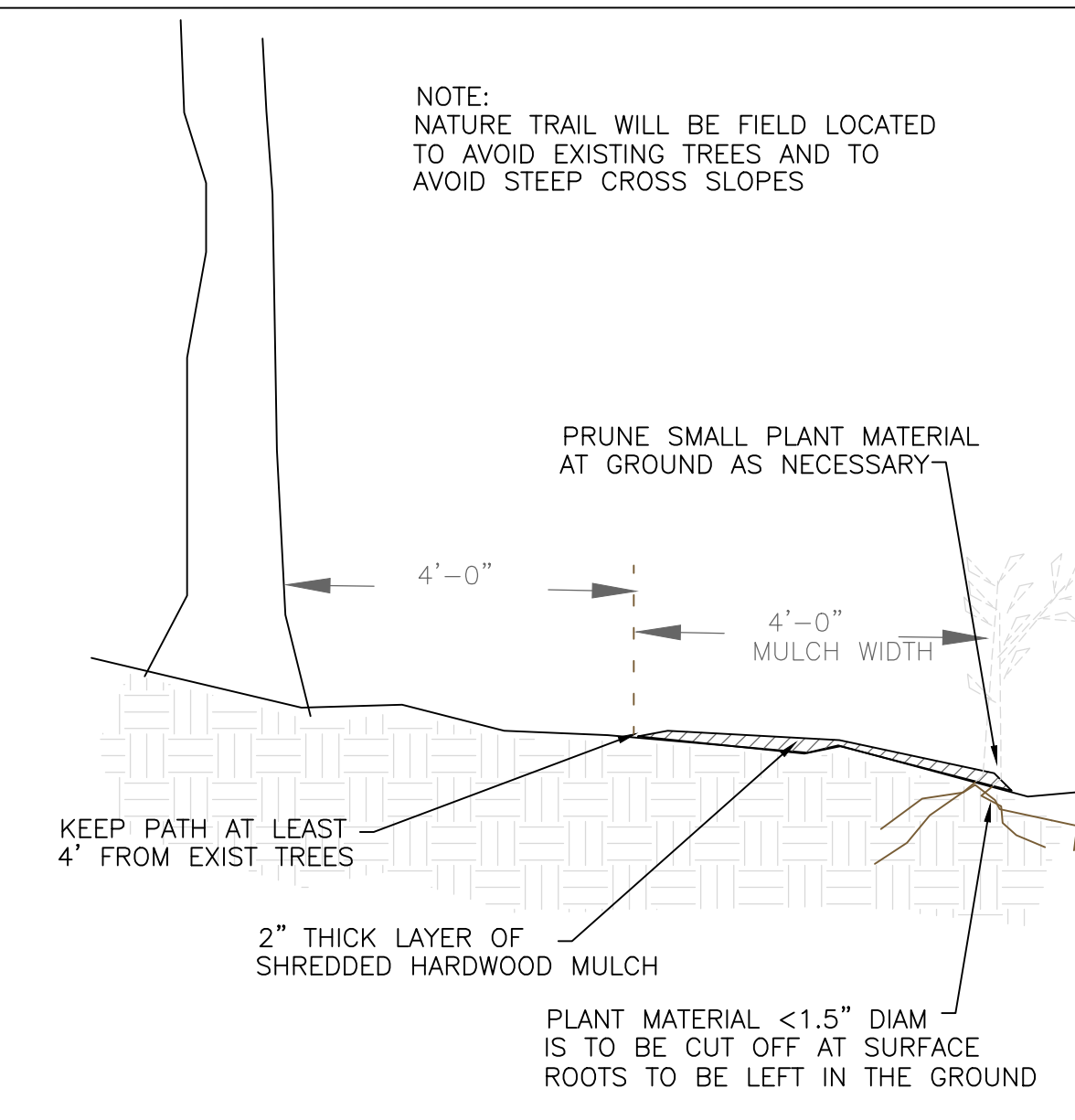
8 ADA PARKING LAYOUT AND SIGNAGE  
 CZ-8.0 no scale



PLAN VIEW



9 EXTERIOR BICYCLE PARKING  
 CZ-8.0 no scale



10 NATURE TRAIL PROFILE  
 CZ-8.0 no scale



111 West Main Street  
 Durham, N.C. 27701  
 p 919.682.0368  
 f 919.688.5646  
 www.cjtpa.com

NC BOARD OF EXAMINERS FOR ENGINEERS AND SURVEYORS LIC # C-1209  
 NC BOARD OF LANDSCAPE ARCHITECTS LIC # C-104

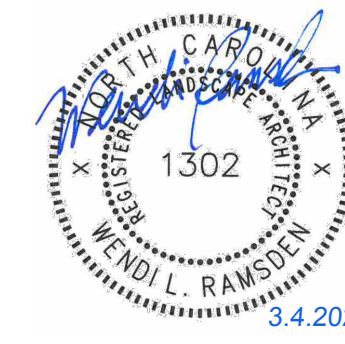


Project:

2200 Homestead Road

Chapel Hill North Carolina

PIN: 9870912947



PRELIMINARY-DO NOT USE FOR CONSTRUCTION

CJT Job Number: 1748

Drawn	WLR PBR MTC
Checked	WLR PBR
Date	10-29-20
Revisions	CZ RESUBMITTAL 2-9-21
	CZ RESUBMITTAL 3-4-21

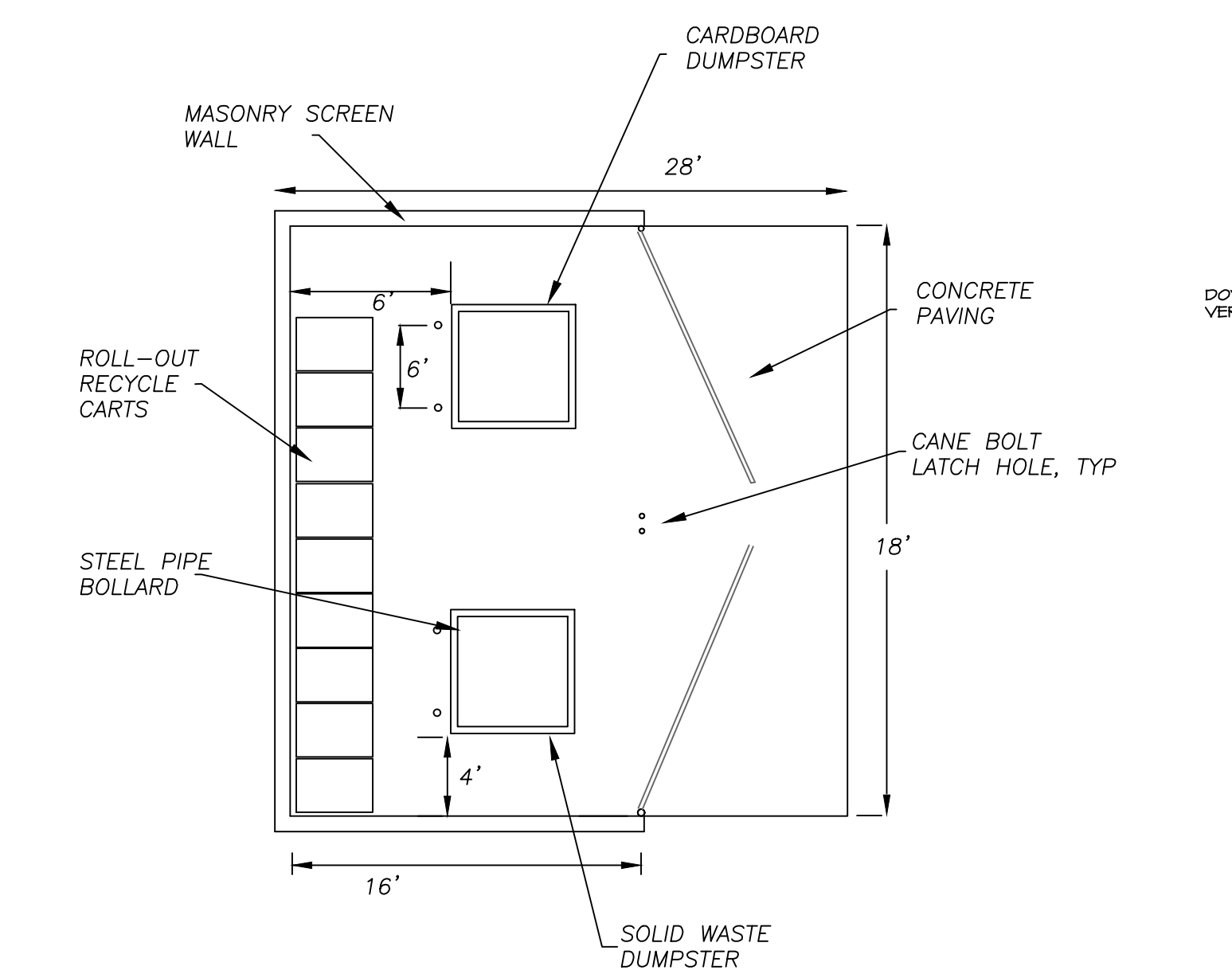
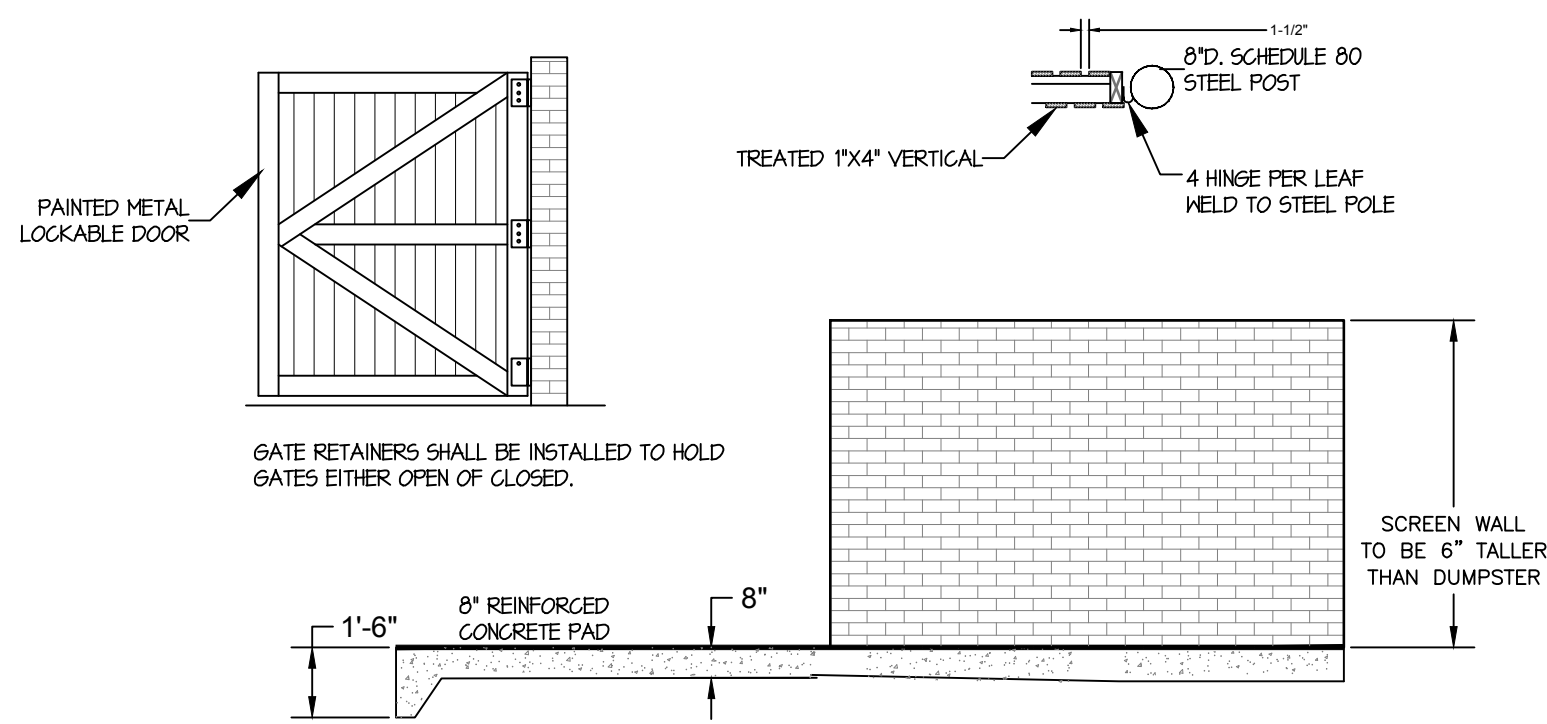
Conditional Zoning Plan

Sheet Title:

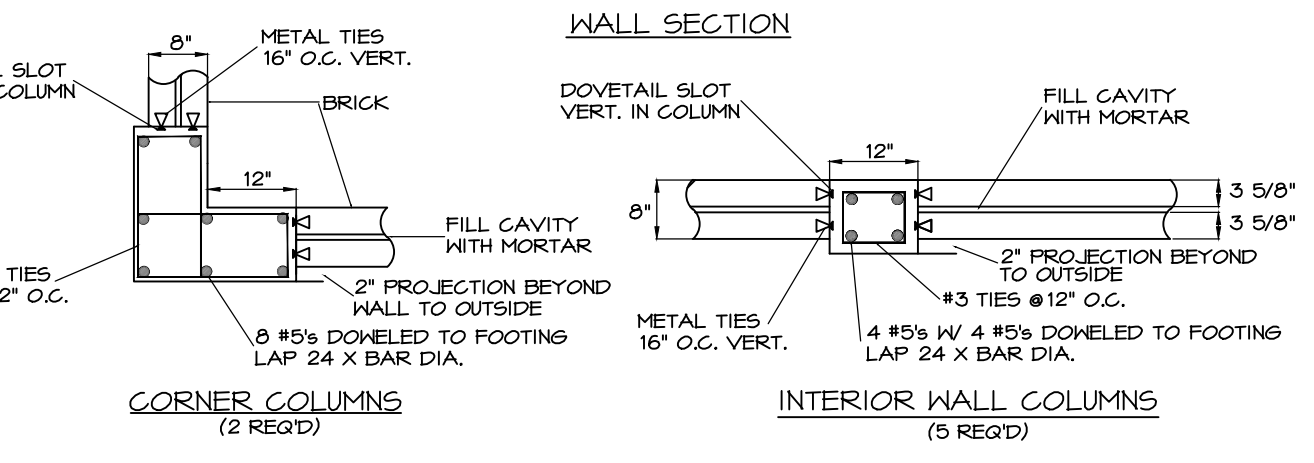
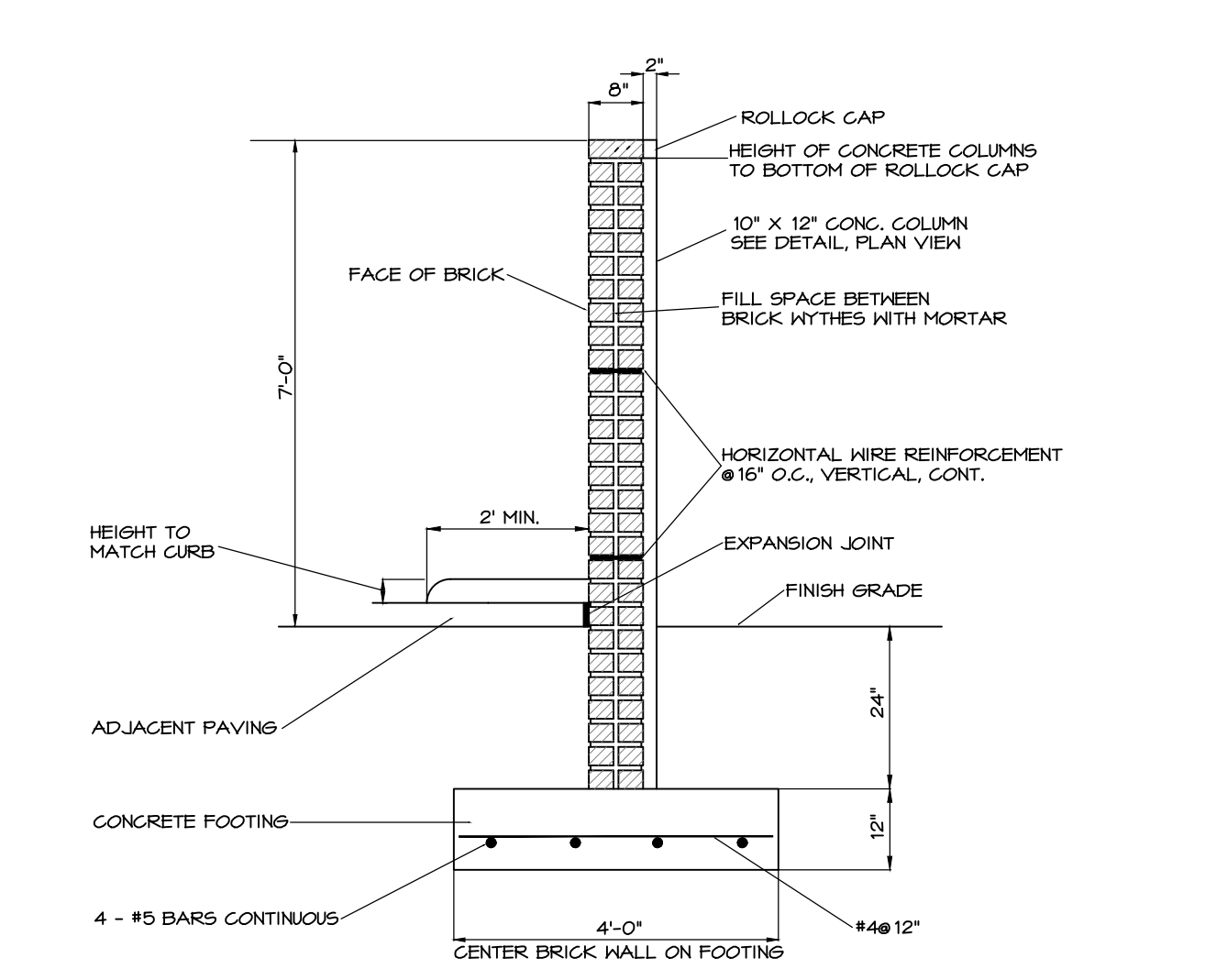
SITE DETAILS

Sheet Number

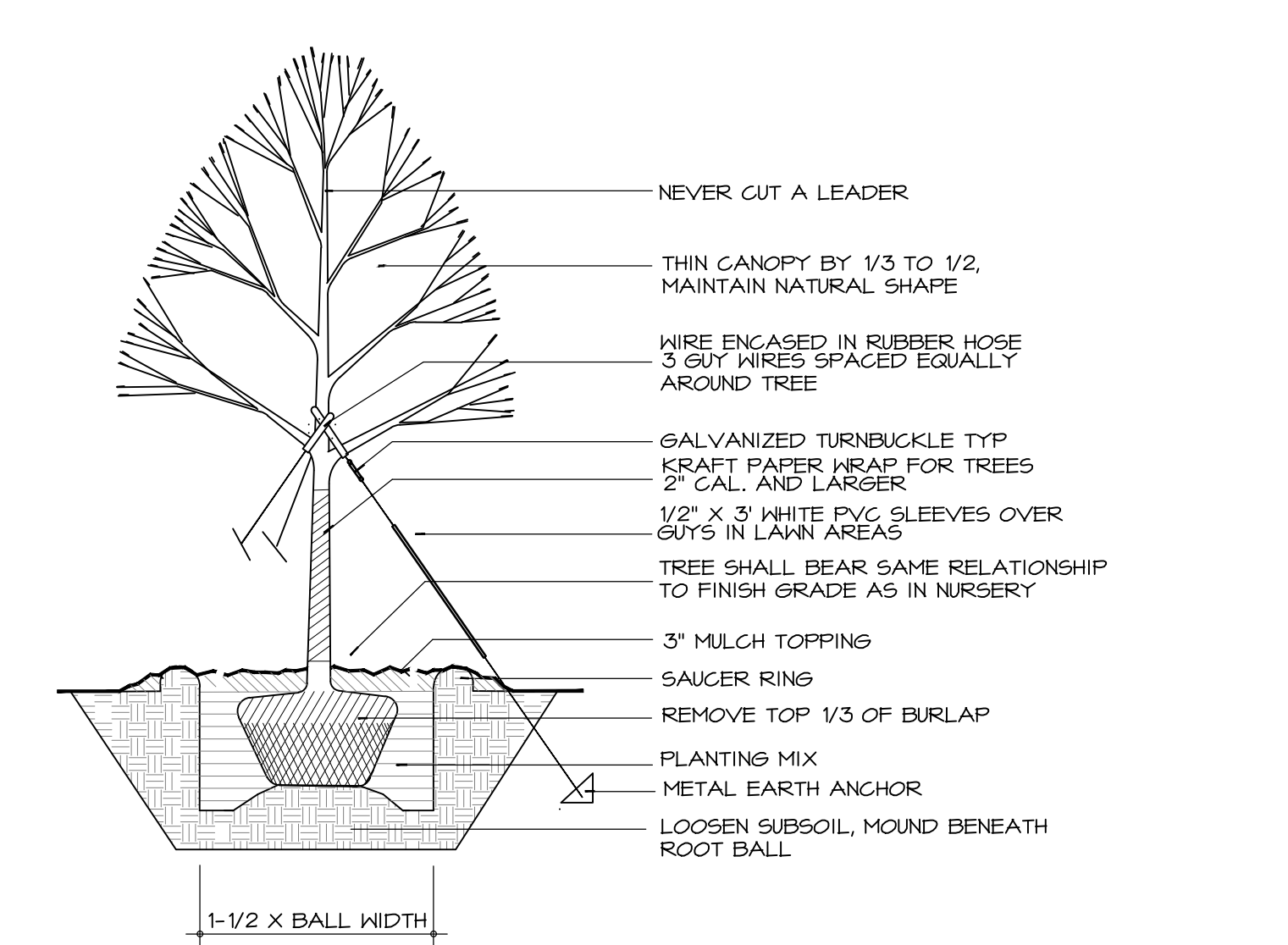
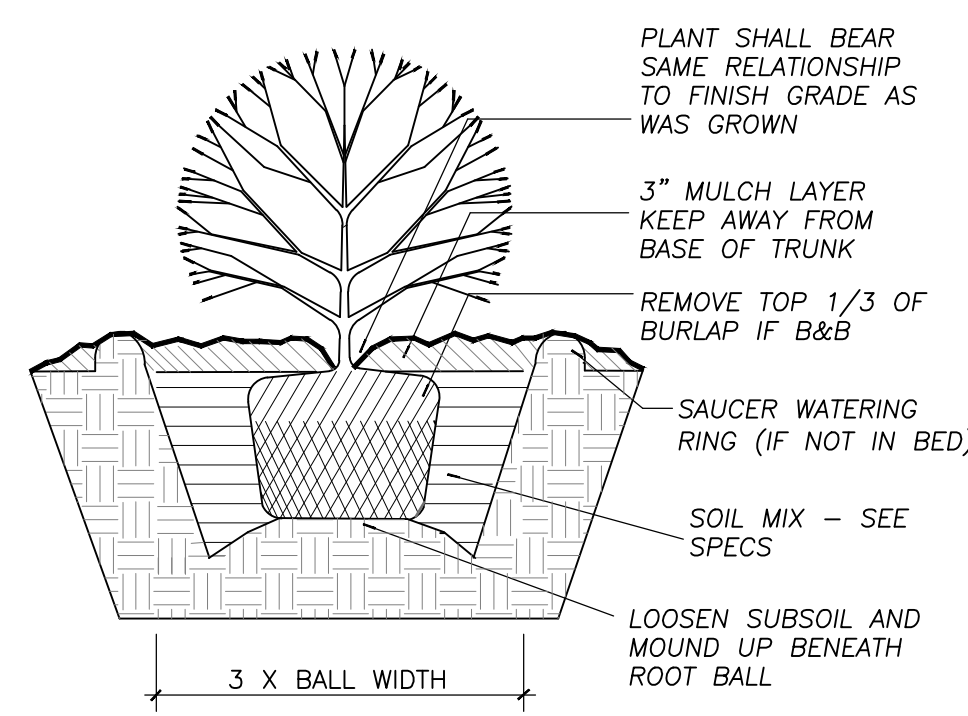
CZ-8.0



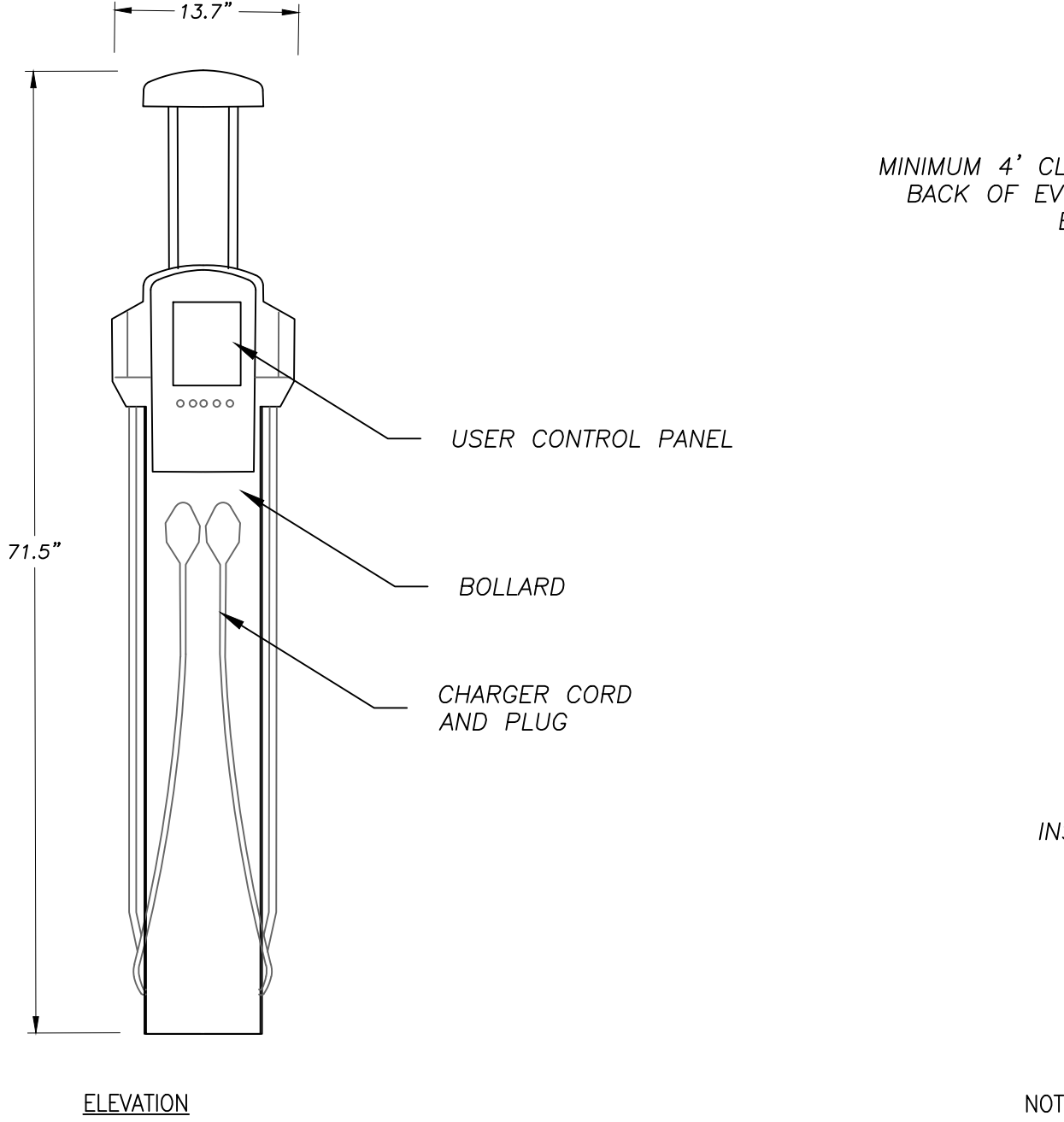
**1 DUMPSTER W/ MASONRY SCREEN ENCLOSURE**  
SCALE: 1" = 10'



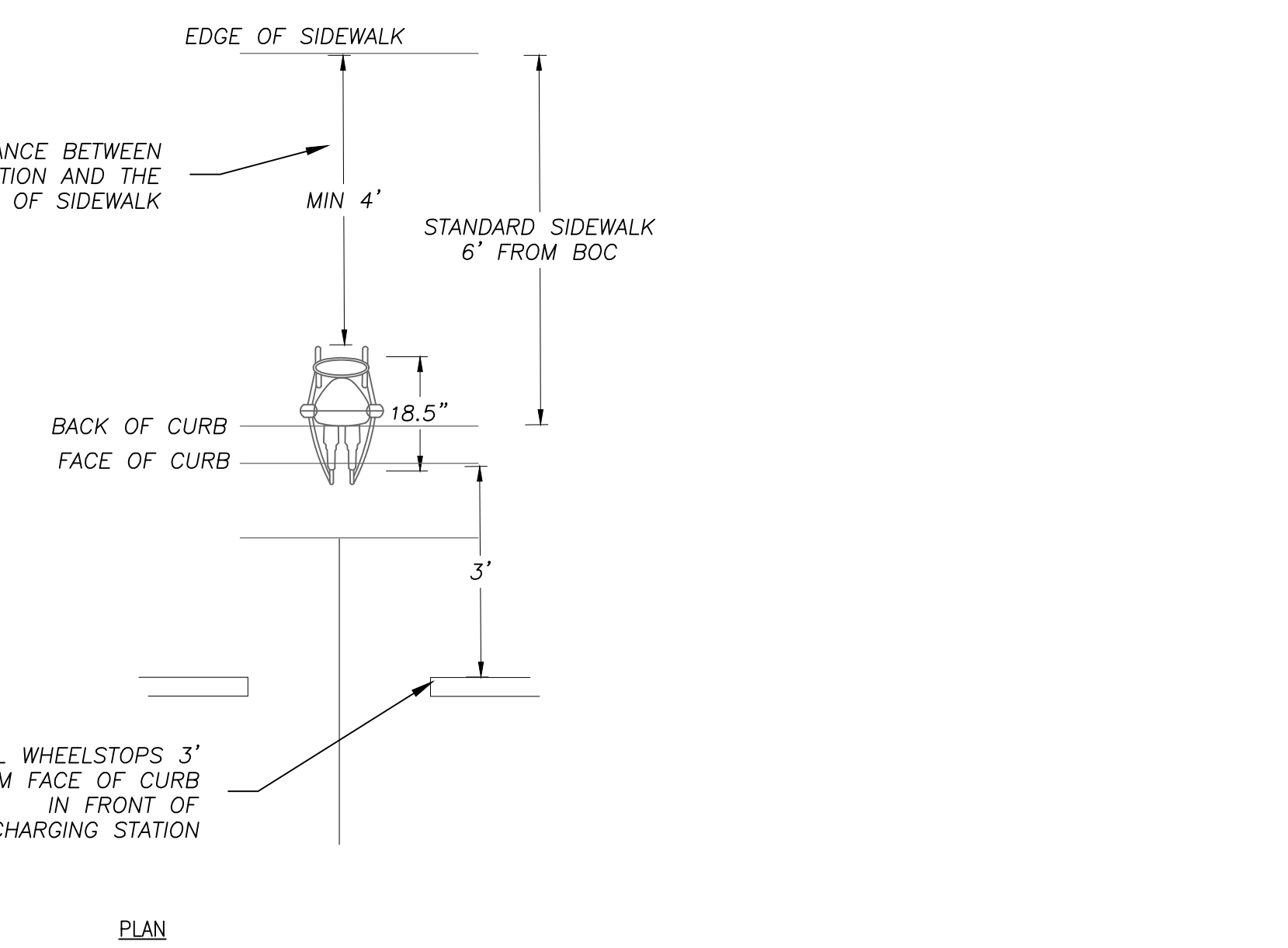
**2 SHRUB DETAIL**  
NO SCALE



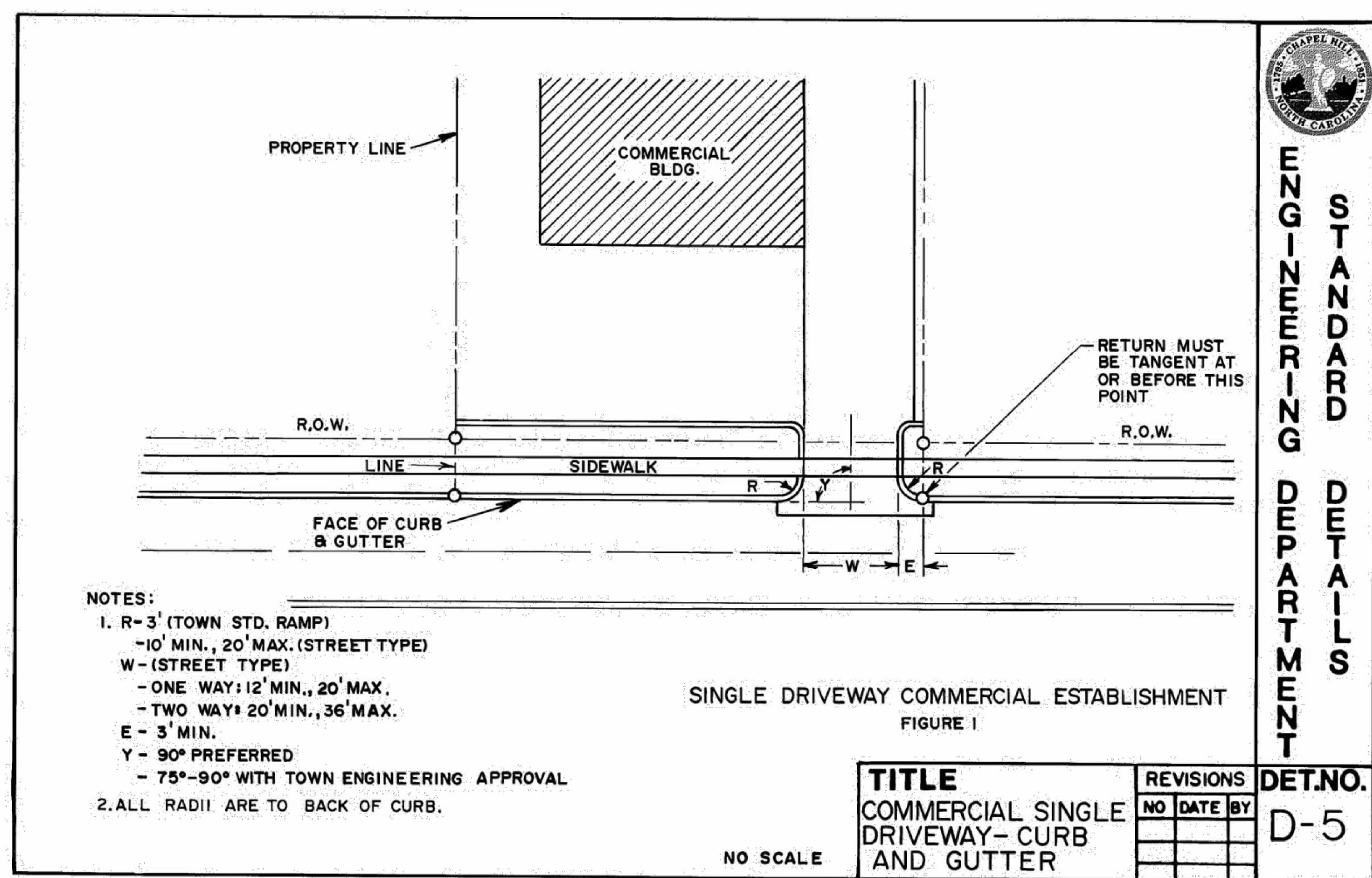
**3 TREE PLANTING DETAIL**  
NO SCALE



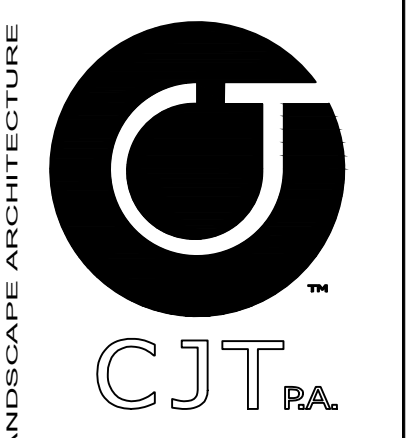
**5 EV CHARGING STATION AND ADJACENT SIDEWALK**  
no scale



NOTES:  
-BASIS OF DESIGN: CHARGEPOINT MODEL CT4021  
-BOLLARD TYPE CHARGING STATION  
-2-VEHICLE SIMULTANEOUS CHARGE CAPACITY

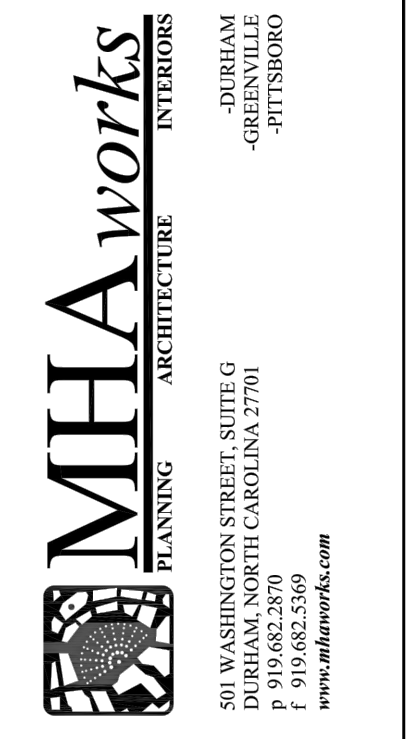


**4 DRIVEWAY APRON**  
no scale



111 West Main Street  
Durham, N.C. 27701  
p 919.682.0368  
f 919.688.5646  
www.cjtpa.com

NC BOARD OF EXAMINERS FOR ENGINEERS AND SURVEYORS LIC # C-1209  
NC BOARD OF LANDSCAPE ARCHITECTS LIC # C-104

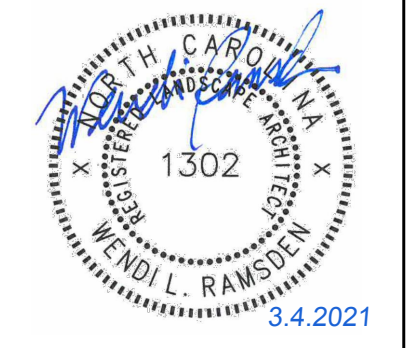


Project:

2200 Homestead Road

Chapel Hill North Carolina

PIN: 9870912947



PRELIMINARY-DO NOT USE FOR CONSTRUCTION

CJT Job Number: 1748

Drawn	WLR PBR MTC
Checked	WLR PBR
Date	10-29-20
Revisions	CZ RESUBMITTAL 2-9-21
	CZ RESUBMITTAL 3-4-21

Conditional Zoning Plan

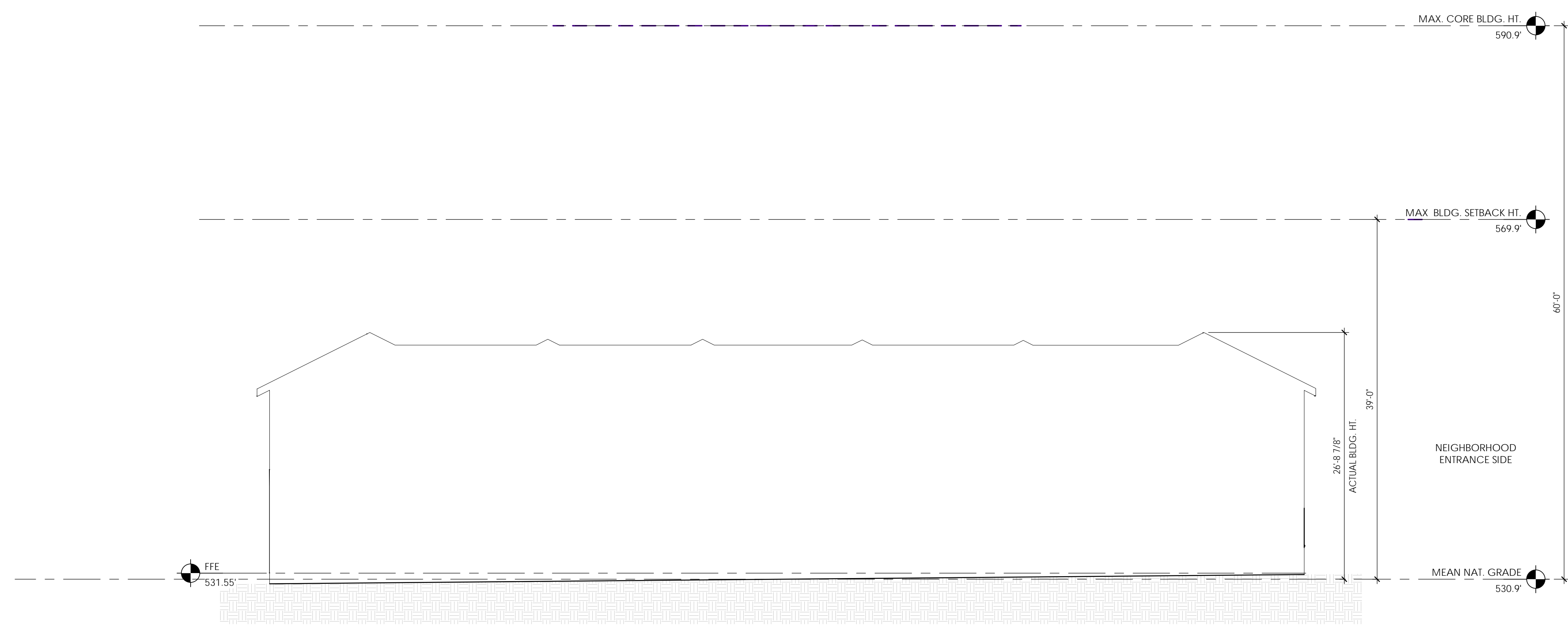
Sheet Title:

SITE DETAILS

Sheet Number  
CZ-8.1

10/28/2020 10:10:36 PM  
 BIM 360://17147\_Homestead Rd/17147\_CH HS townhome R20.rvt

A B C D E F G H



2 TOWNHOME Elevation - South - Homestead Rd. side  
 1/8" = 1'-0"



1 TOWNHOME - Elevation - North - Neighborhood side  
 1/8" = 1'-0"

**FOR REVIEW ONLY**  
 NOT FOR CONSTRUCTION  
 FOR GMP PRICING ONLY

THESE DRAWINGS AND THE ACCOMPANYING SPECIFICATIONS ARE INSTRUMENTS OF SERVICE AND AS SUCH SHALL REMAIN THE PROPERTY OF THE ARCHITECT. THEY HAVE BEEN PREPARED FOR A SPECIFIC PROJECT AND SHALL NOT BE USED IN CONNECTION WITH ANY OTHER PROJECTS WITHOUT PRIOR WRITTEN PERMISSION OF THE ARCHITECT.  
 © MHAworks 2018

**HOMESTEAD RD.  
 NEIGHBORHOOD  
 TOWN OF CHAPEL HILL  
 2200 HOMESTEAD RD.**

REVISIONS:

#	DESCRIPTION	DATE

SHEET NAME:  
**TYPICAL TOWNHOME ELEVATIONS**

PHASE:  
**SITE PLAN APPROVAL**

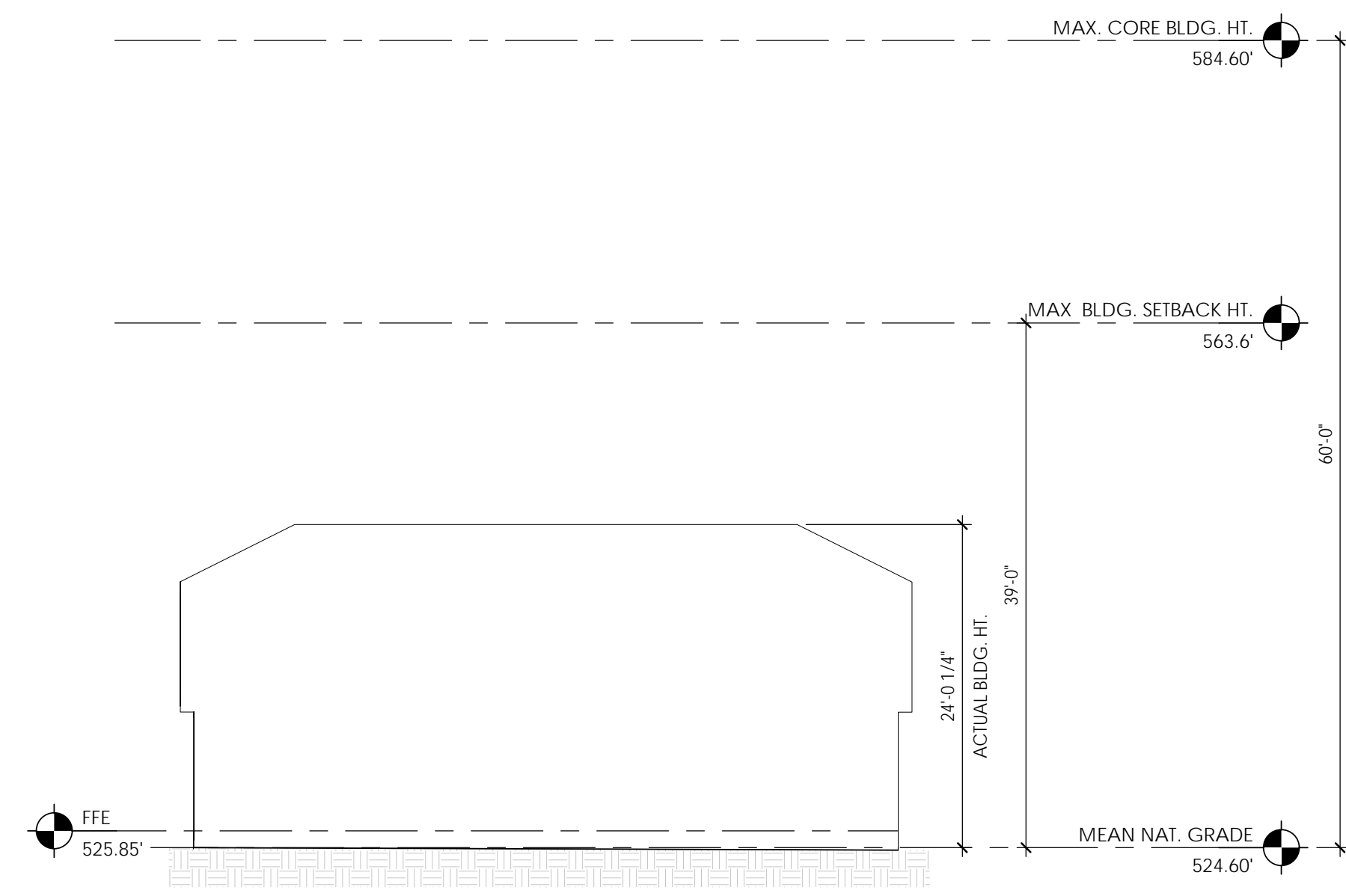
ISSUE DATE: **10/28/20**  
 PROJECT #: **17147**  
 DRAWN BY: **DRH**

SHEET NUMBER  
**PD 001**

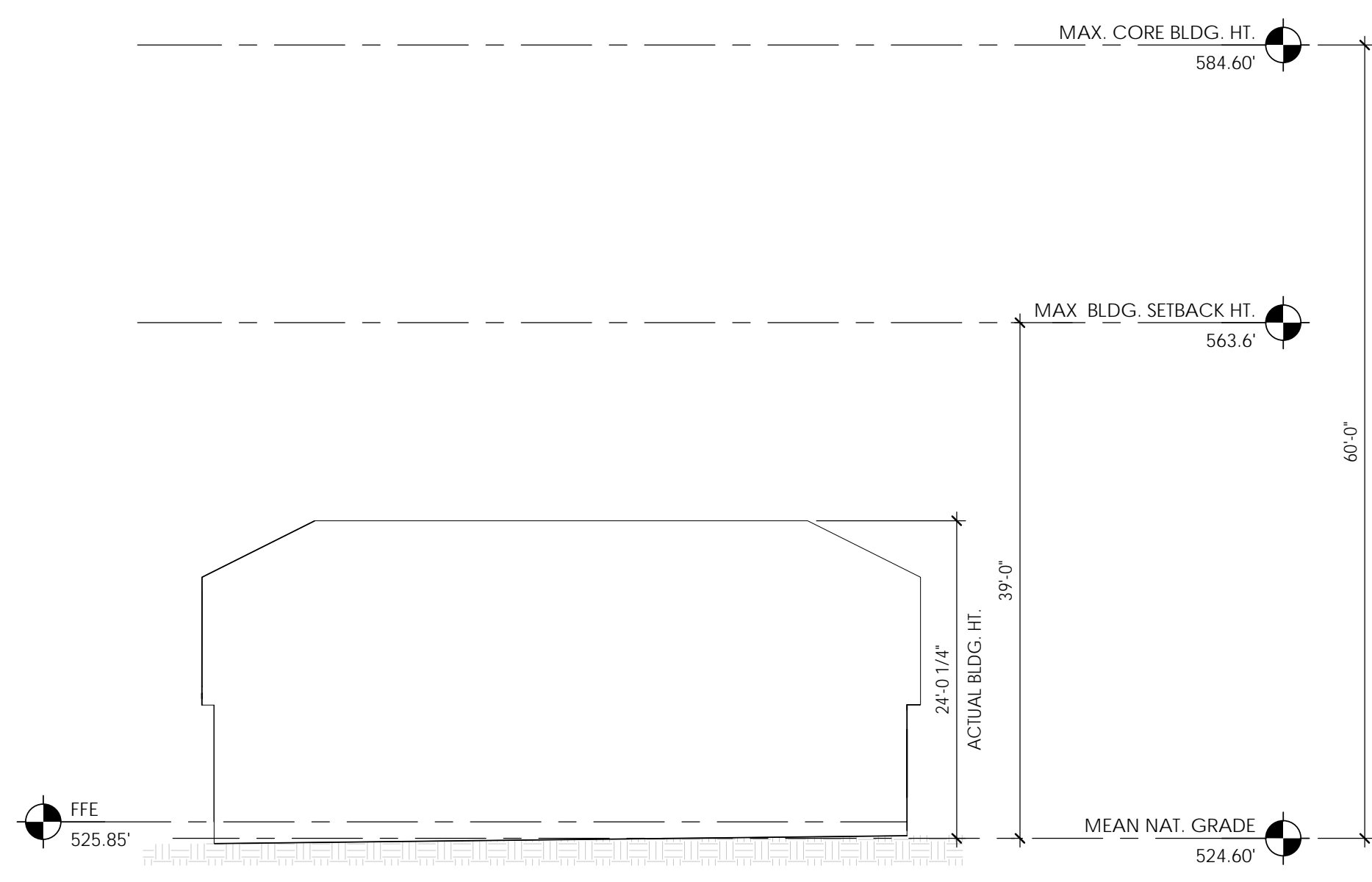
1 2 3 4 5 6 7 8 9

A B C D E F G H

1 2 3 4 5 6 7 8 9



2 4 BD DUPLEX - West- Greenway Side  
 3/32" = 1'-0"



1 4 BD DUPLEX - East - Neighborhood Side  
 3/32" = 1'-0"

**FOR REVIEW ONLY**  
 NOT FOR CONSTRUCTION  
 FOR GMP PRICING ONLY

THESE DRAWINGS AND THE ACCOMPANYING SPECIFICATIONS ARE INSTRUMENTS OF SERVICE AND AS SUCH SHALL REMAIN THE PROPERTY OF THE ARCHITECT. THEY HAVE BEEN PREPARED FOR A SPECIFIC PROJECT AND SHALL NOT BE USED IN CONNECTION WITH ANY OTHER PROJECTS WITHOUT PRIOR WRITTEN PERMISSION OF THE ARCHITECT.  
 © MHAworks 2018

**HOMESTEAD RD.**  
**HOUSING**  
**TOWN OF CHAPEL HILL**  
**2200 HOMESTEAD RD.**

REVISIONS:

#	DESCRIPTION	DATE

SHEET NAME:  
**TYPICAL 4 BED DUPLEX ELEVATIONS**

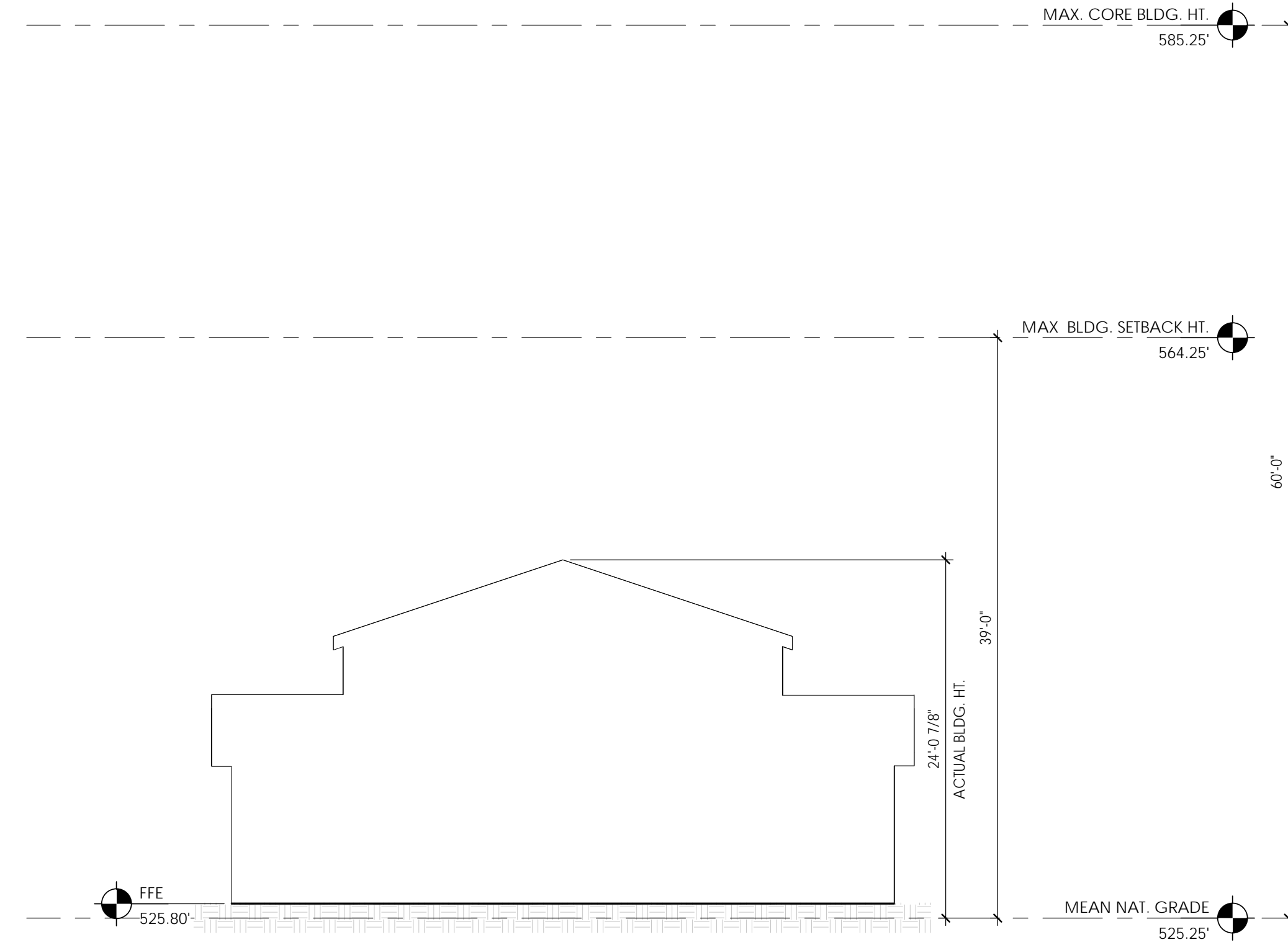
PHASE:  
**SITE PLAN APPROVAL**

ISSUE DATE: **10/28/20**  
 PROJECT #: **17147**  
 DRAWN BY: **DRH**

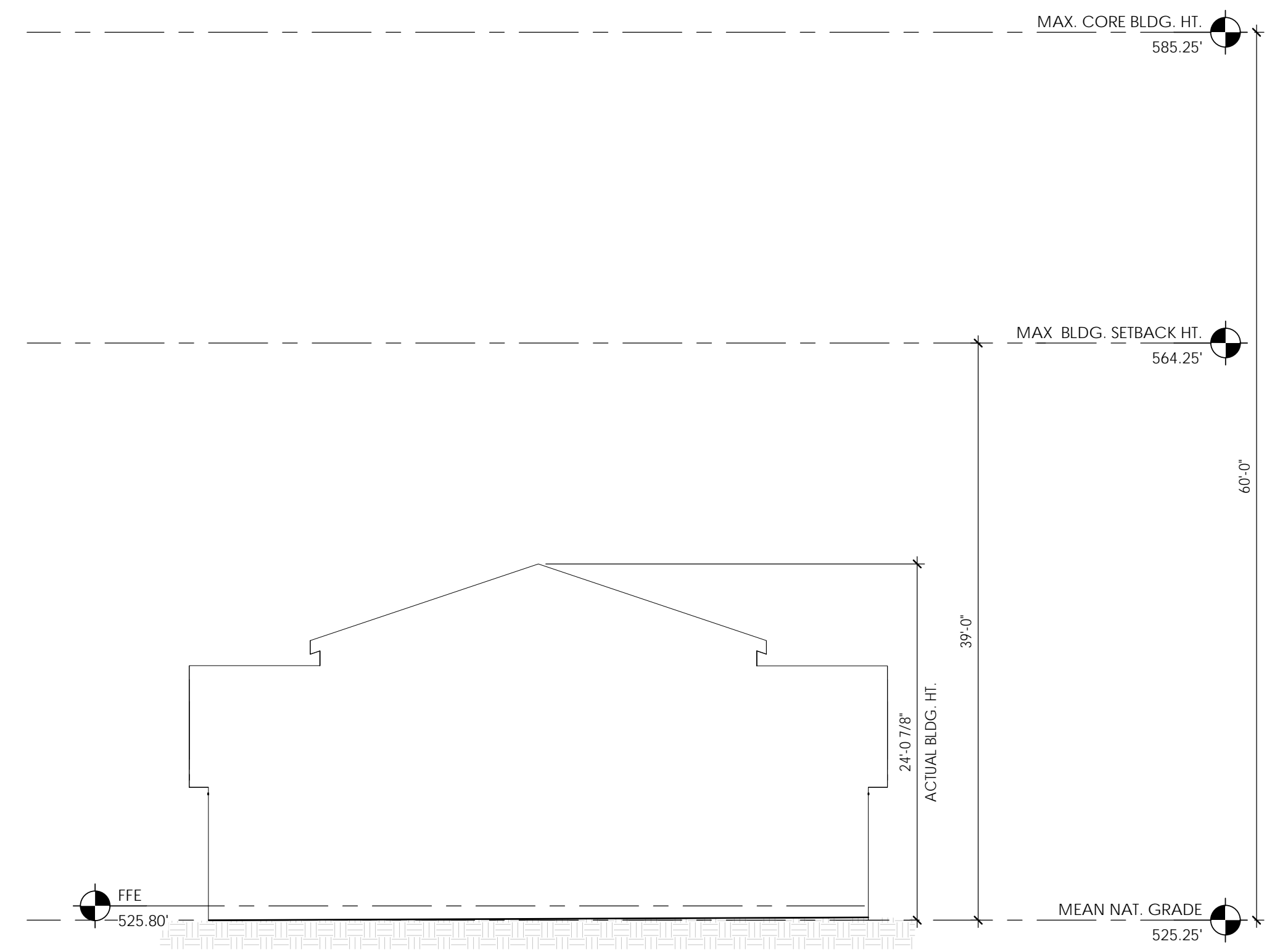
SHEET NUMBER  
**PD 002**

H  
G  
F  
E  
D  
C  
B  
A

1 2 3 4 5 6 7 8 9



1 3 BD DUPLEX - West - Greenway Side  
 1/8" = 1'-0"



2 3 BD DUPLEX - East - Neighborhood Side  
 1/8" = 1'-0"

**FOR REVIEW ONLY**  
 NOT FOR CONSTRUCTION  
 FOR GMP PRICING ONLY

THESE DRAWINGS AND THE ACCOMPANYING SPECIFICATIONS ARE INSTRUMENTS OF SERVICE AND AS SUCH SHALL REMAIN THE PROPERTY OF THE ARCHITECT. THEY HAVE BEEN PREPARED FOR A SPECIFIC PROJECT AND SHALL NOT BE USED IN CONNECTION WITH ANY OTHER PROJECTS WITHOUT PRIOR WRITTEN PERMISSION OF THE ARCHITECT.  
 © MHAworks 2018

**HOMESTEAD RD.  
 HOUSING**  
**TOWN OF CHAPEL HILL  
 2200 HOMESTEAD RD.**

REVISIONS:

#	DESCRIPTION	DATE

SHEET NAME:  
**TYPICAL 3 BD DUPLEX ELEVATIONS**

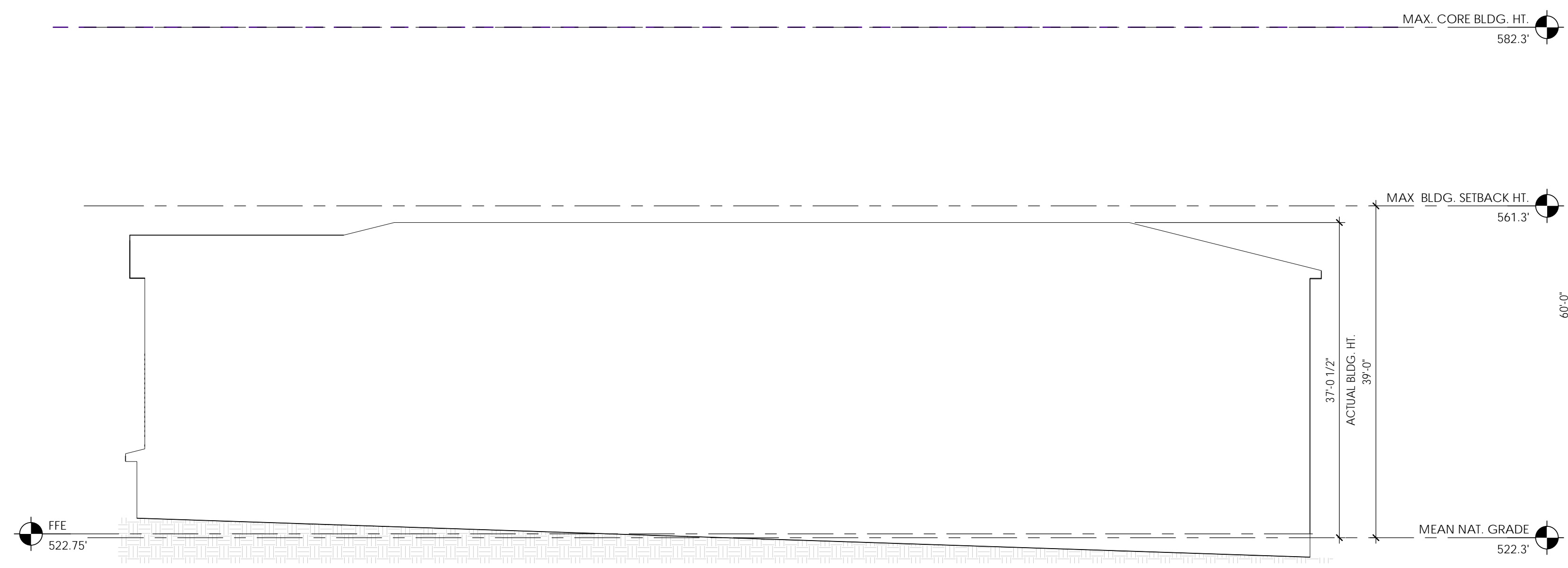
PHASE:  
**SITE PLAN APPROVAL**

ISSUE DATE: **10/28/20**  
 PROJECT #: **17147**  
 DRAWN BY: **DRH**

SHEET NUMBER  
**PD 003**

A B C D E F G H

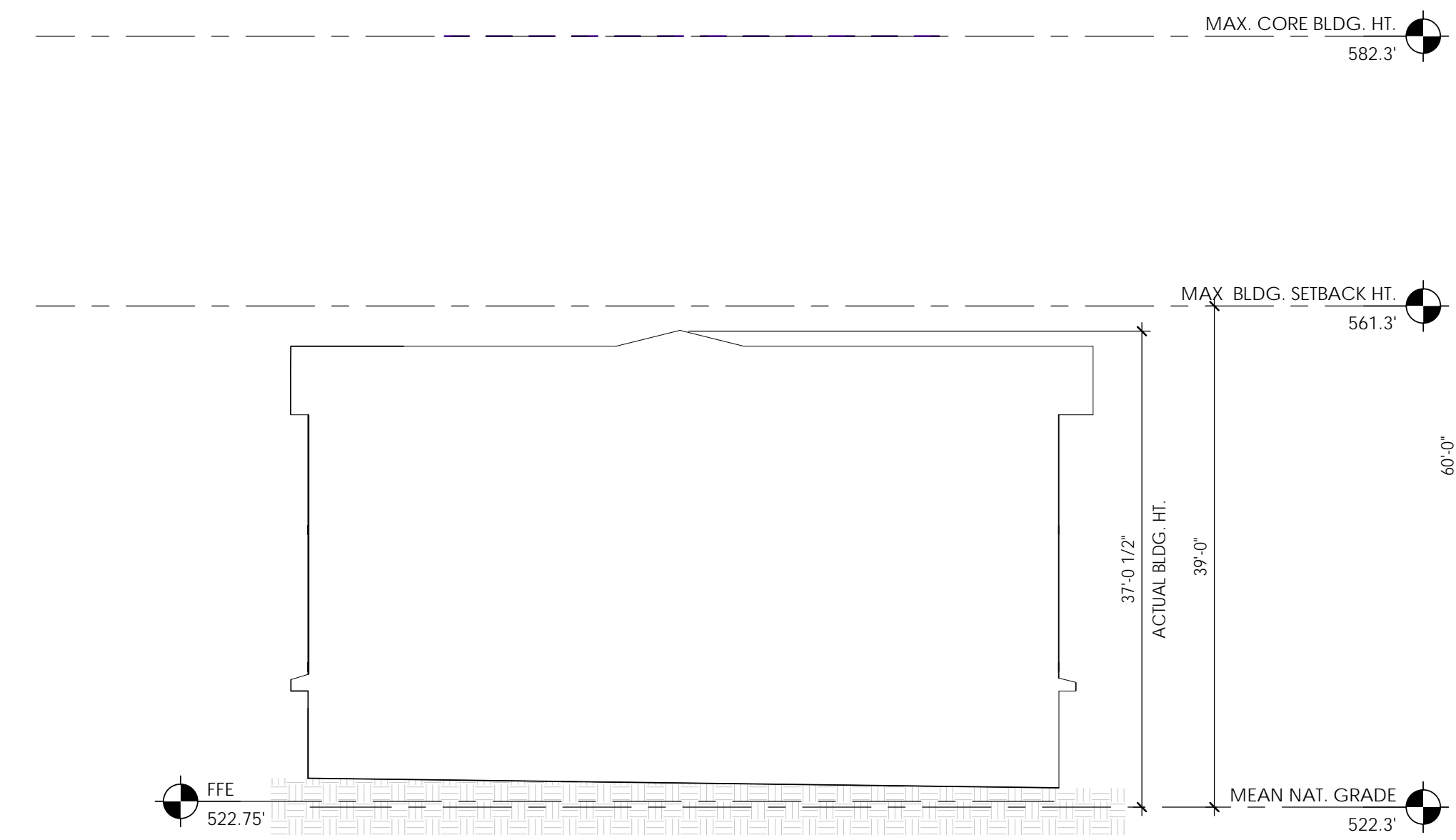
1 2 3 4 5 6 7 8 9



1 **CASA WF BLDG B - East Side**  
 3/32" = 1'-0"



2 **CASA WF BLDG B - West Side**  
 3/32" = 1'-0"



3 **CASA WF BLDG B - South Side**  
 3/32" = 1'-0"

HOMESTEAD RD.  
 NEIGHBORHOOD

TOWN OF CHAPEL HILL  
 2200 HOMESTEAD RD.

REVISIONS:

#	DESCRIPTION	DATE

SHEET NAME:  
**CASA WF APARTMENT BLDG. B  
 ELEVATION OUTLINES**

PHASE:  
**SITE PLAN APPROVAL**

ISSUE DATE: **10/28/20**  
 PROJECT #: **17147**  
 DRAWN BY: **DRH**

SHEET NUMBER  
**PD 005**

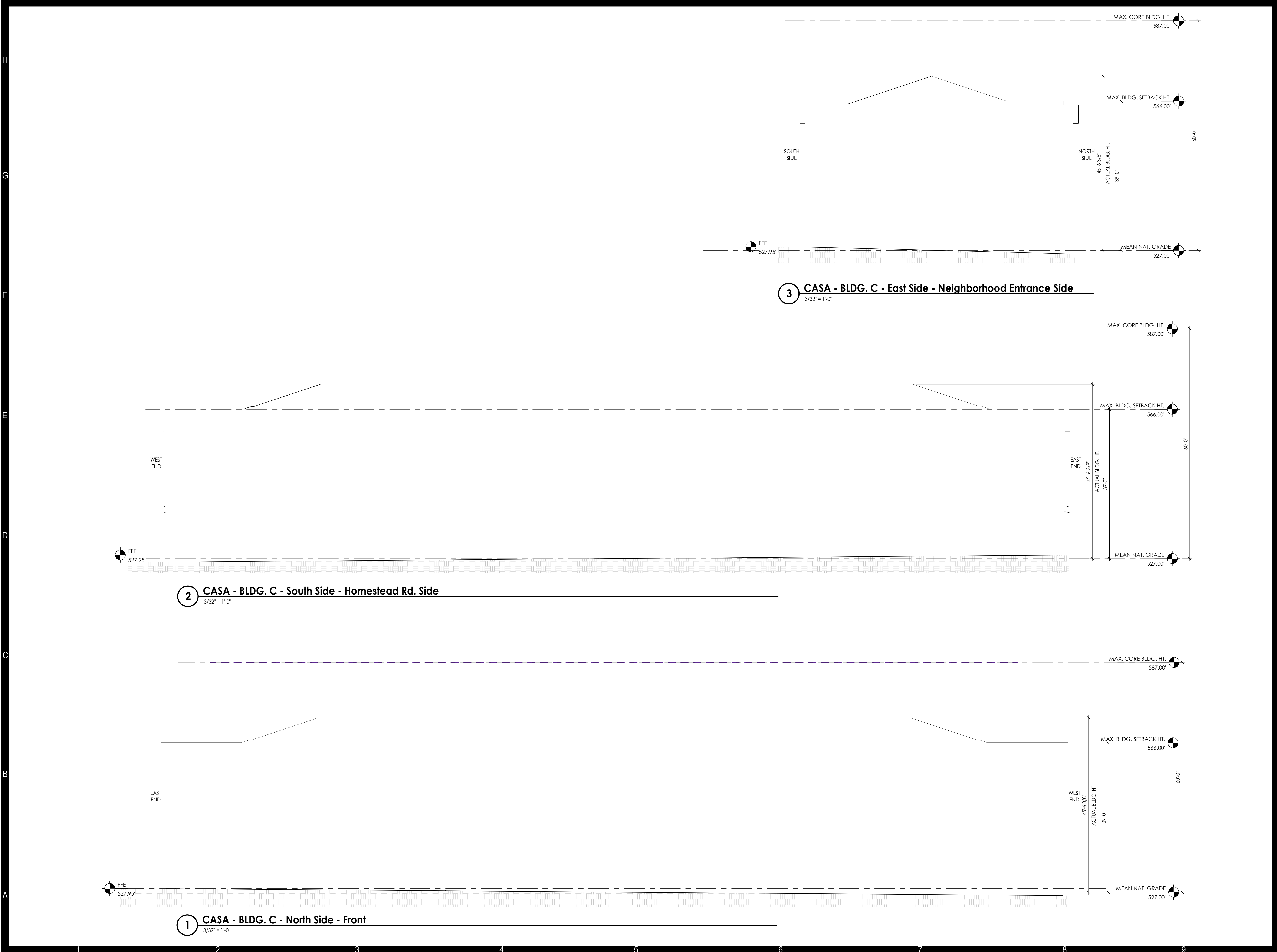
PLANNING ARCHITECTURE INTERIORS

DURHAM  
 GREENVILLE  
 PITTSBORO  
 ASHEVILLE

12 S. LEXINGTON AVENUE UNIT 100  
 ASHEVILLE, NORTH CAROLINA 28801  
 P 828.251.5550  
 WWW.MHAWORKS.COM

THESE DRAWINGS AND THE ACCOMPANYING SPECIFICATIONS ARE INSTRUMENTS OF SERVICE AND AS SUCH SHALL REMAIN THE PROPERTY OF THE ARCHITECT. THEY HAVE BEEN PREPARED FOR A SPECIFIC PROJECT AND SHALL NOT BE USED IN CONNECTION WITH ANY OTHER PROJECTS WITHOUT PRIOR WRITTEN PERMISSION OF THE ARCHITECT.  
 © MHAworks 2018

10/29/2020 9:11:47 AM  
 BIM 360://17147\_Homestead Rd/17147\_CH HS\_CASA HORIZONS\_azlpperXASHM.rvt



1 CASA - BLDG. C - North Side - Front  
 3/32" = 1'-0"

2 CASA - BLDG. C - South Side - Homestead Rd. Side  
 3/32" = 1'-0"

3 CASA - BLDG. C - East Side - Neighborhood Entrance Side  
 3/32" = 1'-0"

**FOR REVIEW ONLY**  
 NOT FOR CONSTRUCTION  
 FOR GMP PRICING ONLY

THESE DRAWINGS AND THE ACCOMPANYING SPECIFICATIONS ARE INSTRUMENTS OF SERVICE AND AS SUCH SHALL REMAIN THE PROPERTY OF THE ARCHITECT. THEY HAVE BEEN PREPARED FOR A SPECIFIC PROJECT AND SHALL NOT BE USED IN CONNECTION WITH ANY OTHER PROJECTS WITHOUT PRIOR WRITTEN PERMISSION OF THE ARCHITECT.  
 ©MHAworks 2018

**HOMESTEAD RD.  
 NEIGHBORHOOD**

**TOWN OF CHAPEL HILL  
 2200 HOMESTEAD RD.**

REVISIONS:

#	DESCRIPTION	DATE

SHEET NAME:  
**CASA - BLDG. C ELEVATION OUTLINES**

PHASE:  
**SITE PLAN APPROVAL**

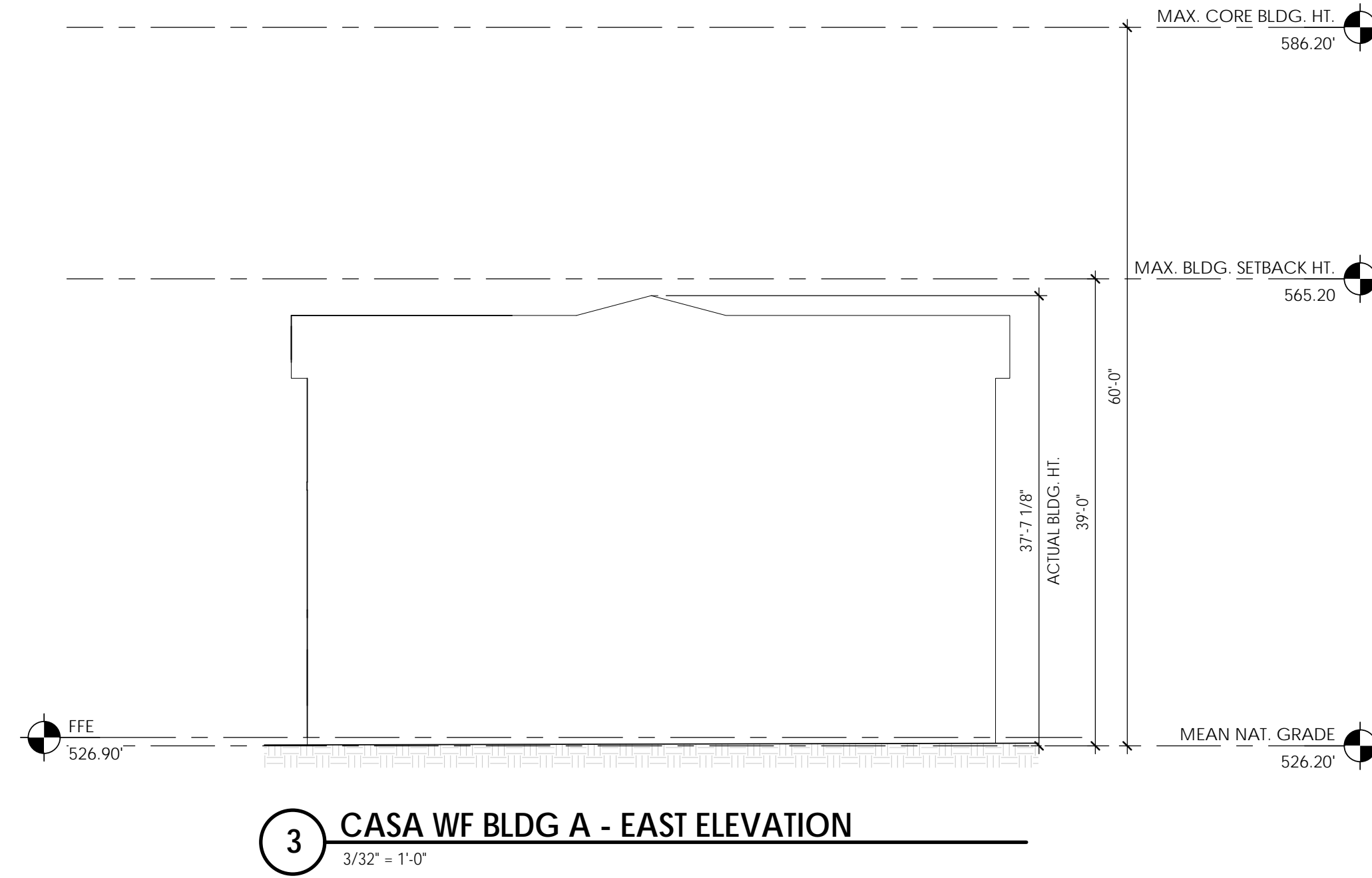
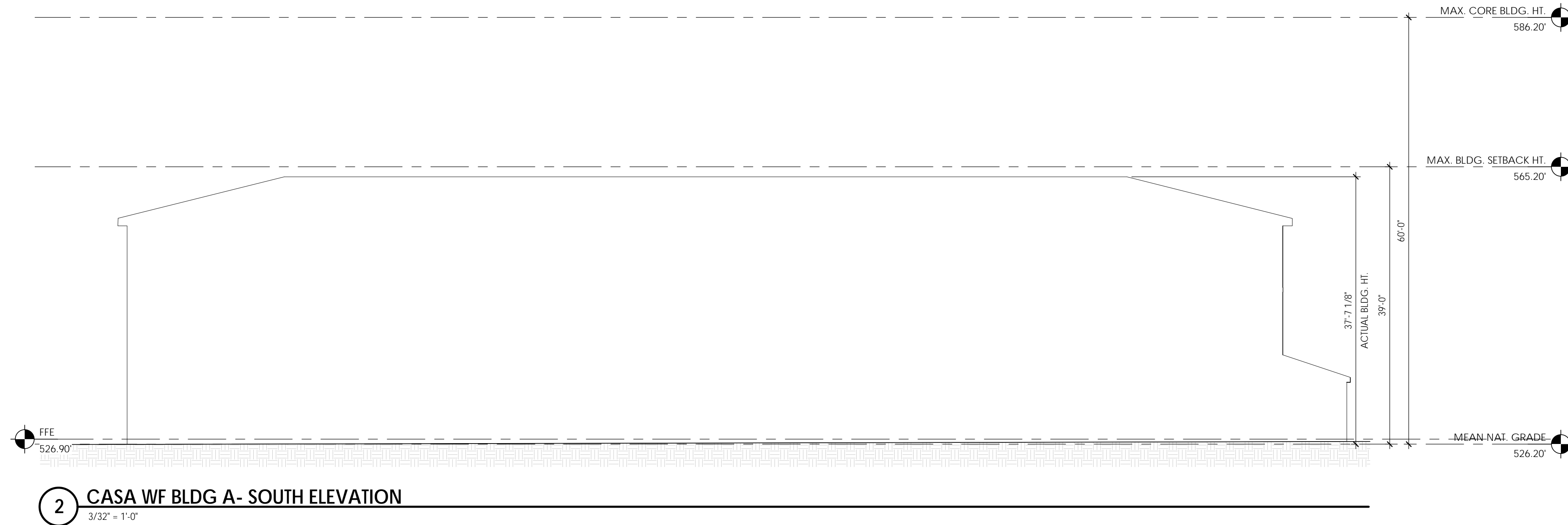
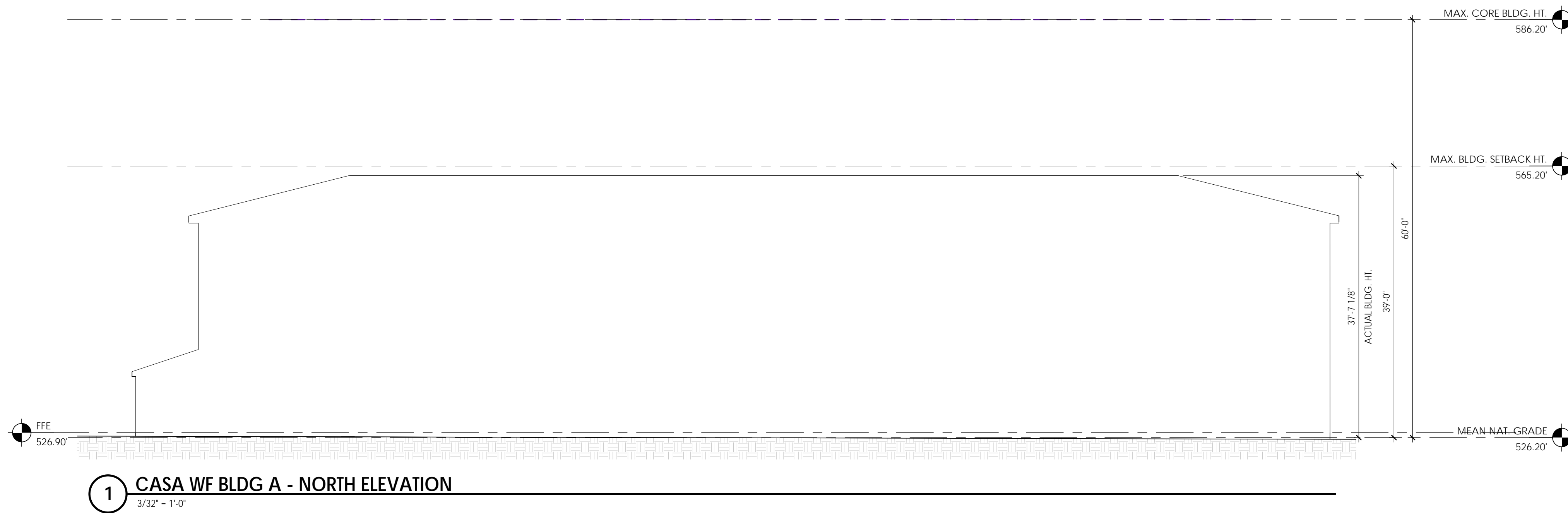
ISSUE DATE: **10/29/20**  
 PROJECT #: **17147**  
 DRAWN BY: **DRH**

SHEET NUMBER  
**PD 006**

10/28/2020 10:29:38 PM  
BIM 360://17147\_Homestead Rd/17147\_CH HS\_CASA WF Apts\_azipperXASH.M.rvt

A B C D E F G H

1 2 3 4 5 6 7 8 9



HOMESTEAD RD.  
NEIGHBORHOOD

TOWN OF CHAPEL HILL  
2200 HOMESTEAD RD.

REVISIONS:

#	DESCRIPTION	DATE

SHEET NAME:  
CASA WF APARTMENT BLDG. A  
ELEVATIONS

PHASE:  
SITE PLAN APPROVAL

ISSUE DATE: 10/29/20  
PROJECT #: 17147  
DRAWN BY: DRH

SHEET NUMBER  
**PD 004**

**MHAworks**  
PLANNING ARCHITECTURE INTERIORS

DURHAM  
GREENVILLE  
PITTSBORO  
ASHEVILLE

12 S. LEXINGTON AVENUE, UNIT 100  
ASHEVILLE, NORTH CAROLINA 28801  
p 828.251.5550  
www.mhaworks.com

THESE DRAWINGS AND THE ACCOMPANYING SPECIFICATIONS ARE INSTRUMENTS OF SERVICE AND AS SUCH SHALL REMAIN THE PROPERTY OF THE ARCHITECT. THEY HAVE BEEN PREPARED FOR A SPECIFIC PROJECT AND SHALL NOT BE USED IN CONNECTION WITH ANY OTHER PROJECTS WITHOUT PRIOR WRITTEN PERMISSION OF THE ARCHITECT.  
© MHAworks 2018