

DOUBLE HUNG

TRADITIONAL LOOK, ADVANCED ENGINEERING



**BOTH SASH TILT
AND REMOVE EASILY,
WITH NO TOOLS OR
STRINGS TO DETACH.**

Features two movable sash with the versatility to create ventilation at the top, bottom, or both.

- The Double Hung is equipped with a standard full screen; optional half screen is available.
- Tilt latches are ergonomically designed and easy to operate making tilting and cleaning effortless.
- Sash lock provides a positive detent, reassuring user that the window is either locked or unlocked.
- PG50 performance rating on a majority of sizes.
- Equal, Cottage, and Reverse Cottage sash provide a variety of looks and checkrail heights.
- Factory, reinforced, and field mulling kits available.
- Available in standard and special sizes up to 4 feet 6 inches wide by 7 feet high.
- Coordinating Picture and Transom Windows also available.



DESIGNED BY EXPERTS, USED BY THE PROS

THE EXPERIENCE AND PRODUCTS NEEDED FOR COMMERCIAL PROJECTS



PERFECT FIT AND BUILT TO LAST

Every commercial project has its own unique requirements and Integrity® is equipped to meet those challenges. Our unique Ultrex® fiberglass construction, available factory services, unmatched delivery, and network of dedicated service and support personnel make Integrity the perfect choice for commercial projects.

TOUGH, LONG-LASTING, AND UNBLEMISHED

Ultrex has virtually all the characteristics you would want in a material used to make windows and doors. It's super strong, rigid, heat resistant, non-corrosive, and stays true and square for easy, efficient installation.



Condos, townhouses, schools,
businesses, churches...whatever
your commercial project, Integrity has
the experience to meet your needs.



WOOD-ULTREX REINFORCED MULL

The Integrity® reinforced mull is an available factory option on Wood-Ultrex® Series windows and doors. The reinforced mull meets AAMA 450 specifications and performs up to a PG50 assembly rating to meet stringent project performance requirements.



NEW DOORS ALONG REAR & SOUTH ELEVATIONS

OUTSWING FRENCH DOOR

OPEN YOUR HOME TO BEAUTY



A PERFECT WAY
TO LET THE SUNLIGHT
INTO ANY HOME.

Select from a variety of hardware and finish options to complement the beauty of the rich wood interior.

- Low-maintenance Ultrex® fiberglass exterior; rich pine interior that can be stained or painted.
- Secure and stable stainless steel multi-point locking system.
- Precision built in 1/64" increments.
- Tempered, insulated glass with argon gas.
- Available in 1, 2, or 3 panel configurations.*
- Multiple configurations up to 6 feet wide by 8 feet high.
- Bronze or beige sill options available.
- PG50 performance rating standard.


* 3 panel configuration is achieved by mulling multiple frames together to create an assembly.



NEW HVAC UNITS

25HCC5
Performance™ 15 Heat Pump
with Puron® Refrigerant
1-1/2 To 5 Nominal Tons



turn to the experts 

Product Data



Puron. Performance
SERIES

Carrier's heat pumps with Puron® refrigerant provide a collection of features unmatched by any other family of equipment. The 25HCC5 has been designed utilizing Carrier's non-ozone depleting Puron refrigerant. The environmentally sound refrigerant allows consumers to make a responsible decision in the protection of the earth's ozone layer.

This product has been designed and manufactured to meet Energy Star® criteria for energy efficiency when matched with appropriate coil components. Refer to the combination ratings in the Product Data for system combinations that meet Energy Star® guidelines.

NOTE: Ratings contained in this document are subject to change at any time. Always refer to the AHRI directory (www.ahridirectory.org) for the most up-to-date ratings information.

INDUSTRY LEADING FEATURES / BENEFITS

Efficiency

- 14.0 - 16.0 SEER/ 11.0 - 13.0 EER/ 8.2 - 9.0 HSPF (Nominal)
- Microtube Technology™ refrigeration system
- Indoor air quality accessories available

Sound

- Sound level as low as 68 dBA

Comfort

- System supports Thermidistat™ or standard thermostat controls

Reliability

- Non-ozone depleting Puron® refrigerant
- Front-seating service valves
- Scroll compressor
- Internal pressure relief valve
- Internal thermal overload
- High pressure switch
- Loss of charge switch
- Filter drier
- Balanced refrigeration system for maximum reliability

Durability

WeatherArmor Ultra™ protection package:

- Solid, durable sheet metal construction
- Steel louver coil guard
- Baked-on, complete coverage, powder paint

Applications

- Long-line - up to 250 feet (76.20 m) total equivalent length, up to 200 feet (60.96 m) condenser above evaporator, or up to 80 ft. (24.38 m) evaporator above condenser (See Longline Guide for more information.)
- Low ambient (down to -10°F/-23°C) with accessory kit

ELECTRICAL DATA

UNIT SIZE	V/PH	OPER VOLTS*		COMPR		FAN	MCA	MAX FUSE** or CKT BRK AMPS
		MAX	MIN	LRA	RLA	FLA		
18-30	208/230/1	253	197	48.0	9.00	0.5	11.8	20
24-30				58.3	12.80	0.5	16.5	25
30-30				73.0	14.10	0.5	18.1	30
37-30				75.0	16.80	0.6	21.6	35
42-30				109.0	21.10	1.2	27.6	40
48-30				117.0	21.80	1.2	28.5	40
60-30				134.0	26.40	1.2	34.2	50

* Permissible limits of the voltage range at which the unit will operate satisfactorily

† If wire is applied at ambient greater than 30°C, consult table 310-16 of the NEC (ANSI/NFPA 70). The ampacity of non-metallic-sheathed cable (NM), trade name ROMEX, shall be that of 60°C conditions, per the NEC (ANSI/NFPA 70) Article 336-26. If other than uncoated (no-plated), 60 or 75°C insulation, copper wire (solid wire for 10 AWG or smaller, stranded wire for larger than 10 AWG) is used, consult applicable tables of the NEC (ANSI/NFPA 70).

‡ Length shown is as measured 1 way along wire path between unit and service panel for voltage drop not to exceed 2%.

** Time-Delay fuse.

FLA - Full Load Amps

LRA - Locked Rotor Amps

MCA - Minimum Circuit Amps

RLA - Rated Load Amps

NOTE: Control circuit is 24-V on all units and requires external power source. Copper wire must be used from service disconnect to unit.

All motors/compressors contain internal overload protection.

Complies with 2007 requirements of ASHRAE Standards 90.1

A-WEIGHTED SOUND POWER

UNIT SIZE- VOLTAGE, SERIES	STANDARD RATING (dBA)	TYPICAL OCTAVE BAND SPECTRUM (dB, without tone adjustment)						
		125	250	500	1000	2000	4000	8000
18-30	72	50.5	60.0	65.0	67.5	64.5	61.5	53.5
24-30	68	49.5	58.5	61.5	62.0	61.0	58.5	51.5
30-30	69	50.5	58.5	61.5	64.0	61.5	58.5	51.5
37-30	71	68.2	66.4	67.5	68.4	59.6	58.2	52.4
42-30	72	56.5	64.5	66.5	66.5	64.5	61.0	54.5
48-30	72	58.5	63.0	65.5	67.0	63.5	60.0	52.0
60-30	73	58.5	62.5	65.0	67.0	64.0	61.0	56.5

NOTE: Size 37-30 tested in accordance with AHRI Standard 270-08 (not listed in AHRI), all other units tested in accordance with AHRI standard 270-95(not listed in AHRI)

CHARGING SUBCOOLING (TXV-TYPE EXPANSION DEVICE)

UNIT SIZE- VOLTAGE, SERIES	REQUIRED SUBCOOLING °F (°C)
18-30	12 (6.7)
24-30	14 (7.8)
30-30	10 (5.6)
37-30	10 (5.6)
42-30	10 (5.6)
48-30	13 (7.2)
60-30	11 (6.1)

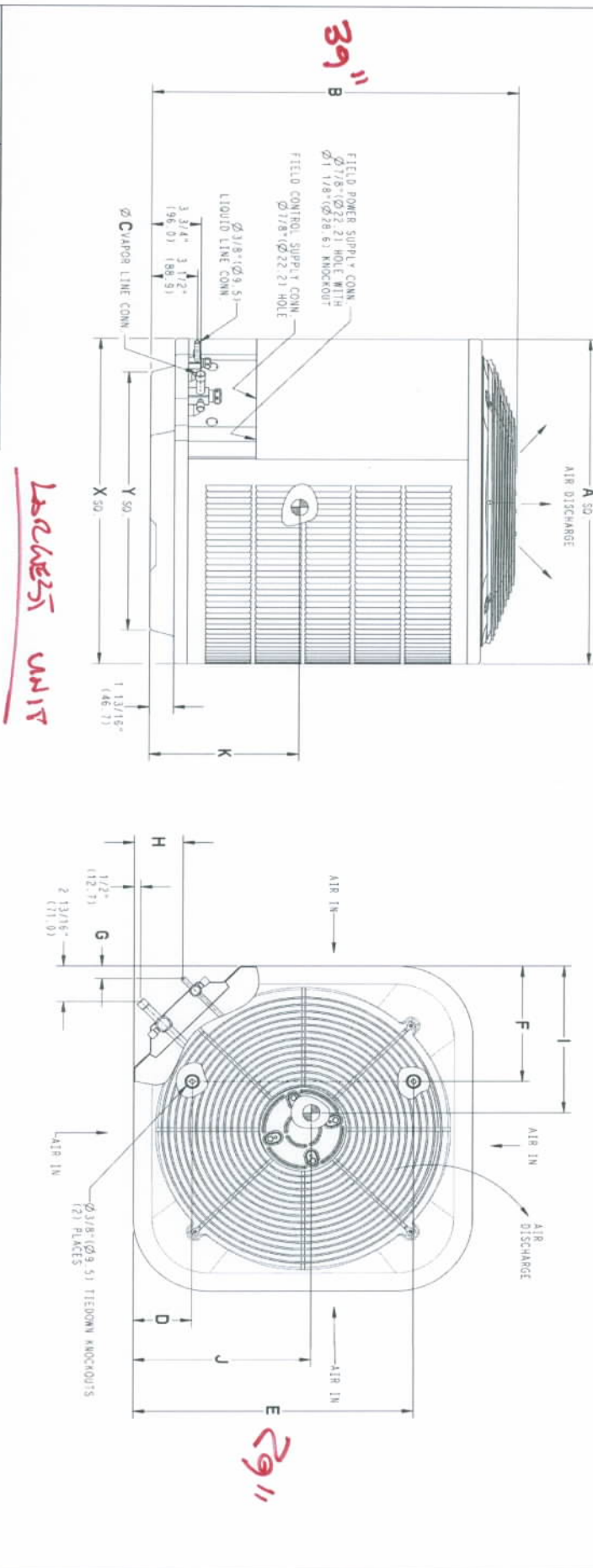
DIMENSIONS

UNIT	SERIES	ELECTRICAL CHARACTERISTICS	A		B		C		D		E		F		G		H		I		J		K		OPERATING WEIGHT	SHIPPING WEIGHT	SHIPPING LENGTH / WIDTH (Sq)	SHIPPING HEIGHT											
			INCH	MM	INCH	MM	INCH	MM	INCH	MM	INCH	MM	INCH	MM	INCH	MM	INCH	MM	INCH	MM	INCH	MM	INCH	MM					INCH	MM	INCH	MM							
25HCC218A0030090	0	Y	N	N	31	792.6	28	718.7	28	718.7	5/8	158.8	6	152.4	24	610.0	9	228.6	9	228.6	1	25.4	23	584.2	16	406.4	15	381.0	14	355.6	169	76.7	207	93.9	33	841.4	33	841.4	843.1
25HCC242A0030090	0	Y	N	N	35	889.0	32	812.7	34	863.4	5/8	158.8	6	152.4	28	718.7	9	228.6	9	228.6	1	25.4	23	584.2	16	406.4	15	381.0	14	355.6	196	88.9	242	109.8	37	943.1	36	914.4	929.5
25HCC259A0030090	0	Y	N	N	35	889.0	32	812.7	34	863.4	5/8	158.8	6	152.4	28	718.7	9	228.6	9	228.6	1	25.4	23	584.2	16	406.4	15	381.0	14	355.6	200	90.7	233	105.7	37	943.1	36	914.4	929.5
25HCC337A0030010	0	Y	N	N	35	889.0	32	812.7	34	863.4	5/8	158.8	6	152.4	28	718.7	9	228.6	9	228.6	1	25.4	23	584.2	16	406.4	15	381.0	14	355.6	245	106.6	273	123.8	37	943.1	36	914.4	929.5
25HCC342A0030090	0	Y	N	N	35	889.0	32	812.7	34	863.4	5/8	158.8	6	152.4	28	718.7	9	228.6	9	228.6	1	25.4	23	584.2	16	406.4	15	381.0	14	355.6	245	106.6	273	123.8	37	943.1	36	914.4	929.5
25HCC344A0030090	0	Y	N	N	35	889.0	32	812.7	34	863.4	5/8	158.8	6	152.4	28	718.7	9	228.6	9	228.6	1	25.4	23	584.2	16	406.4	15	381.0	14	355.6	245	106.6	273	123.8	37	943.1	36	914.4	929.5
25HCC356A0030090	0	Y	N	N	35	889.0	32	812.7	34	863.4	5/8	158.8	6	152.4	28	718.7	9	228.6	9	228.6	1	25.4	23	584.2	16	406.4	15	381.0	14	355.6	280	117.9	303	137.4	37	943.1	36	914.4	929.5
25HCC359A0030090	0	Y	N	N	35	889.0	32	812.7	34	863.4	5/8	158.8	6	152.4	28	718.7	9	228.6	9	228.6	1	25.4	23	584.2	16	406.4	15	381.0	14	355.6	294	123.4	345	156.5	37	943.1	36	914.4	1102.2

208-230-1-60
208/230-3-60
460-3-60
575-3-60

Y=YES
N=NO

NOTES:
1. CENTER OF GRAVITY



UNIT SIZE	"X"		"Y"	
	MINIMUM GROUND MOUNTING PAD APPLICATION DIMENSIONS	MINIMUM ROOF-TOP MOUNTING PAD APPLICATION DIMENSIONS	MINIMUM GROUND MOUNTING PAD APPLICATION DIMENSIONS	MINIMUM ROOF-TOP MOUNTING PAD APPLICATION DIMENSIONS
-	23 1/8	587.3	17 7/8	454.6
18	25 3/4	654.0	20 7/16	518.5
	31 3/16	792.5	22 15/16	583.2
24, 30, 37, 42, 48, 60	35	889.0	26 3/4	679.7

NOTE: ALL DIMENSIONS IN INCH (MM)

U.S. ECCN: Not Subject to Regulation (N.S.R.)

PROPOSED NEW WINDOW & DOOR TRIM, IF EXISTING MUST BE REMOVED

MIRATEC SMOOTH SELECT



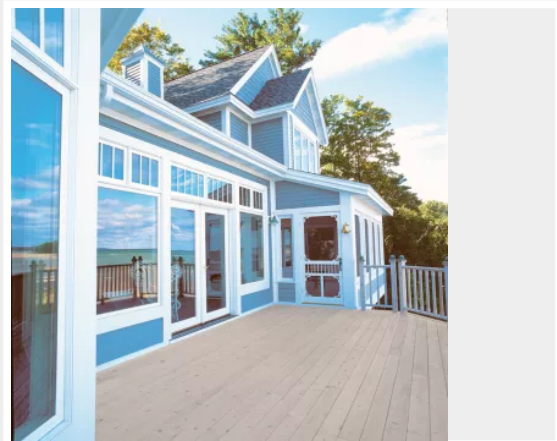
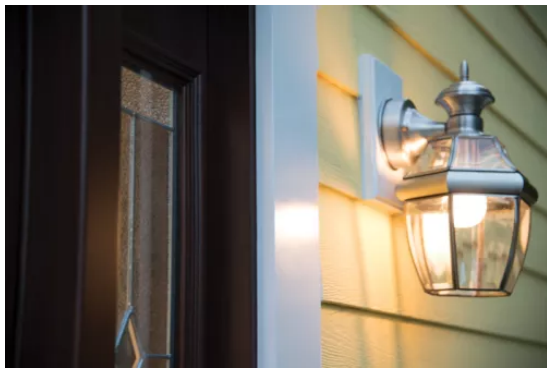
MiraTEC Smooth Select builds on the solid TEC™ process to deliver a ultra-smooth exterior trim. The nearly-square corners add a contemporary feel that looks like PVC, but at more affordable price point. MiraTEC Smooth Select is ready to take on any color your project needs; even popular dark colors that show cracking due to expansion and contraction when applied to PVC.

Made from the patented TEC™ process, MiraTEC Treated Exterior Composite trim combines the eye-catching beauty of authentic woodgrain with the long-lasting performance of an engineered product. Because it is not hardboard, MiraTEC trim will not delaminate, is moisture, rot and termite resistant, and is backed by a 50-year limited warranty.

MiraTEC Treated Exterior Composite Trim is the first and only wood composite trim to earn an evaluation report from ICC Evaluation Service (ICC-ES). To view ESR-3043, visit the ICC website at: http://www.icc-es.org/reports/pdf_files/ICC-ES/ESR-3043.pdf

Competitive and long term performance testing shows MiraTEC resists moisture, rot and termites and outperforms the competition in several key areas:

- **Moisture resistant:** As measured by ASTM D1037 for water absorption and thickness swelling.
- **Rot resistant:** Tested per AWPA E16 Field Test for Evaluation of Wood Preservatives to be Used Out of Group Contact: Horizontal Lap-Joint Method.
- **Termite resistant:** As measured by AWPA E7 Standard Method of Evaluating Wood Preservatives by Field Tests with Stakes.





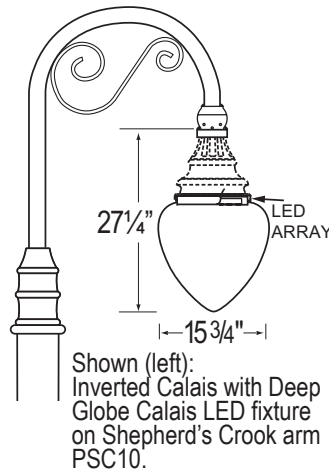
RADIANT™ & SINGLE MODULE LED PENDANTS

Specifications and Features:



EPA: 1.8
 WEIGHT: 19lbs (max.)

Dimensions:



Radiant™ LED

- Conformal Coating LED light engine
- CCT: 3000, 4000, 5000K
- IP66

Distribution

- Types II*, III*, IV*, V

Electrical

- Electronic Driver, 120-277V, 50/60Hz or 347/480V, 50/60Hz
- 0-10V Dimmable Driver
- Surge Protection INCLUDED
 - surge protection device meets IEEE C62.41 2002 C High 10kA

Controls (Optional)

- Button eye photo control (PC)

Housing

- Standard capital is PLC5
- Spun aluminum shades optional
- Includes leveler for pendant mount

Finish

- Super durable polyester powder coat finish over a conversion coating. Custom finishes available, including patinas and all RAL colors.

Listings & Ratings

- ETL listed to UL 1598 standard for wet location and IP66

Warranty

- 5 year limited warranty



ORDERING FORMAT

Example: CAL1-PDG-40W4K-U-5-C5-N-PC-BK

Model	Globe/Lens	LED Module	Voltage	Distribution
CAL1=Calais Radiant™ 8" Radiant™ Only CAL2=Calais CREE LED	ACS=Acrylic Short Stipple Globe ADG=Acrylic Deep Stipple Globe PSS=Polycarbonate Short Stipple Globe	PDG=Polycarbonate Deep Stipple Globe (Standard) ** For Type II, III, IV and V All the rest Type V	U=120-277V H=347/480V	2=Type II 3=Type III 4=Type IV 5=Type V
		See Chart - LED Light Engine Specifications. *Radiant™ Models only		
Capitals	Shade/Spinning	Options	Finish (Housing)	
C5=PLC5 (Standard) Leave blank for Top Entry (Standard) Select Arm	C1=23" shade C2=26" shade C3=18" shade C4=21" shade N=None	FS=Fuse, Single PC=Button eye photo control N=None	Standard Colors BK=Black BZ=Bronze DBZ=Dark Bronze WH=White	Standard Colors GR=Green SM=Silver Metallic GY=Light Grey TBK=Textured Black CC=Custom (Consult Factory)

Specifications subject to change without notice.

Rev. 110718



RADIANT™ LIGHT ENGINE & SINGLE MODULE LED



8" Radiant™

Photometric Data

LED LIGHT ENGINE SPECIFICATIONS:

LED Module	Wattage	Lumens	System Efficacy	CCT	CRI	IES Distributions
8WC-850	9	850	97	2.7K, 3K, 4K, 5K	90	Type II, III, IV, V
12WC-1250	13	1250	97	2.7K, 3K, 4K, 5K	90	Type II, III, IV, V
19WC-2000	21	2000	97	2.7K, 3K, 4K, 5K	90	Type II, III, IV, V
32WC-3000	31	3000	97	2.7K, 3K, 4K, 5K	90	Type II, III, IV, V
37WC-4000	37	4000	108	2.7K, 3K, 4K, 5K	90	Type II, III, IV, V

RADIANT™

LED LIGHT ENGINE SPECIFICATIONS:

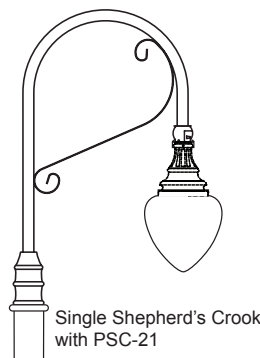
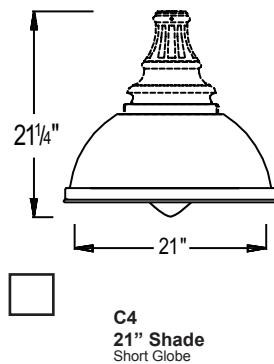
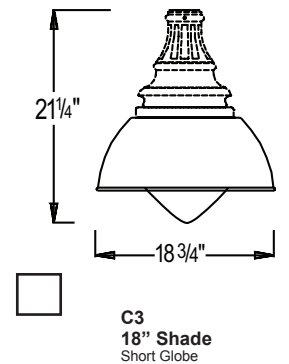
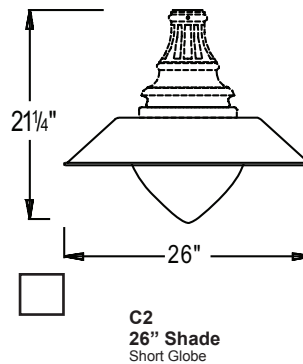
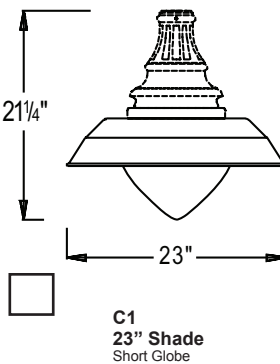
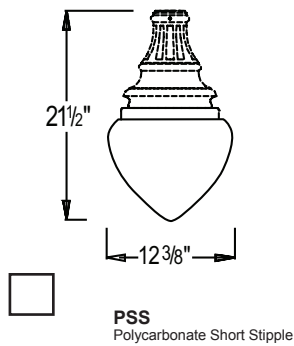
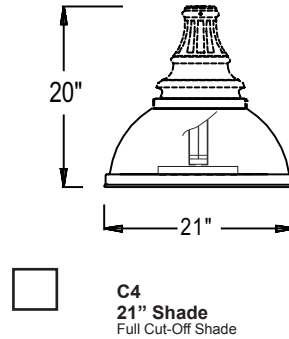
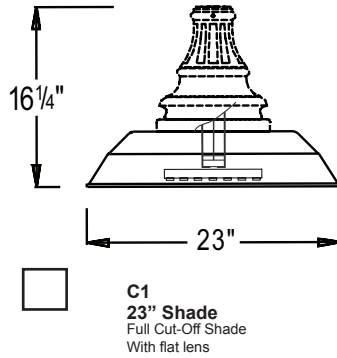
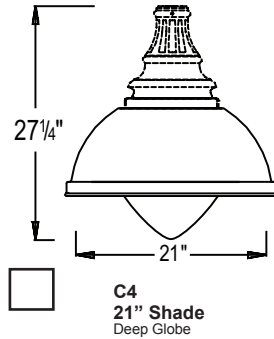
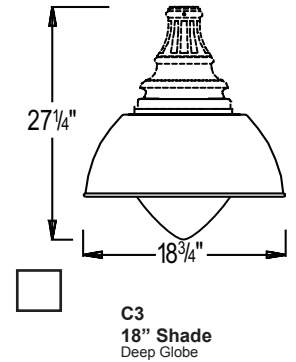
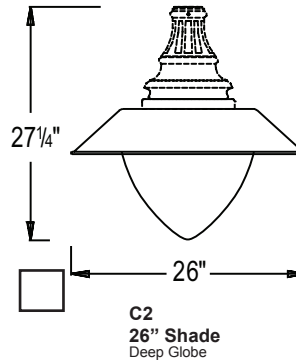
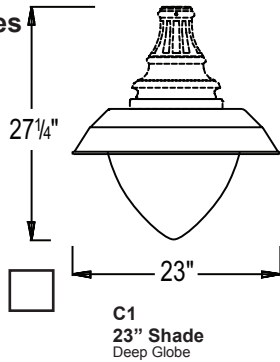
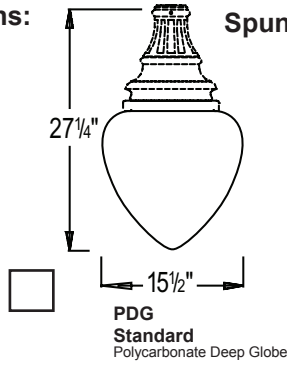
LED Module	Wattage	Nominal Lumens*	System Efficacy	CCT	CRI	IES Distributions
40W5K	40	4,396	109.9	5000K	85	Type II, III, IV, V
50W5K	50	5,495	109.9	5000K	85	Type II, III, IV, V
60W5K	60	6,594	109.9	5000K	85	Type II, III, IV, V
40W4K	40	4,396	109.9	4000K	85	Type II, III, IV, V
50W4K	50	5,495	109.9	4000K	85	Type II, III, IV, V
60W4K	60	6,594	109.9	4000K	85	Type II, III, IV, V
40W3K	40	4,396	109.9	3000K	85	Type II, III, IV, V
50W3K	50	5,495	109.9	3000K	85	Type II, III, IV, V
60W3K	60	6,594	109.9	3000K	85	Type II, III, IV, V

*Please refer to the fixture's IES file for detailed information. Subject to change.



Options:

Spun Shades



Specifications subject to change without notice.

Rev. 110718



**PROFESSIONAL
OUTDOOR LIGHTING**

FIXTURE B

Type:

Model:

Project:

SPECIFICATION SHEET

MODEL 5273-LED Landscape Series • In-Ground & Well Lights

FIXTURE SPECIFICATIONS:

HOUSING:

Injection-molded, glass-reinforced Ryton® R-4 composite for strength and high UV stability – warranted for ten years against corrosion.

LENS COVER:

Injection-molded, glass-reinforced Ryton® R-4 composite fitted to housing with a silicone O-ring gasket – providing a superior weather-tight seal.

FINISH:

Polyester powder-coat finish available in Black, Verde, Architectural Brick, Light Bronze, Dark Bronze, Granite, Pewter, Terracotta, Rust, Hunter Green, Mocha, Weathered Bronze, Weathered Iron, and White.

LENS:

Frosted, tempered, shock and heat-resistant, soda-lime glass lens.

LAMP TYPE:

High Output LED with Vista exclusive smart-driver, powered to operate for 50,000 hours.

OPTICS:

Integral high-efficiency optics available in spot through flood beam spreads.

ELECTRICAL:

Input voltage range 10.5–15V AC, regulated to achieve uniform illumination throughout the cable run of fixtures. Integral surge & reverse polarity protection.

MOUNTING:

In-grade. Conduit mount fixtures have two 3/4" NPT inlets on bottom. Optional concrete mounting kit available; please see accessories column on fixture ordering information chart.

FASTENERS/INSERTS:

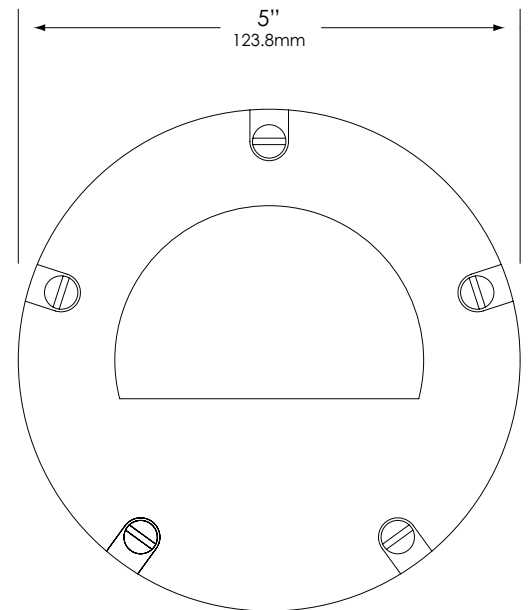
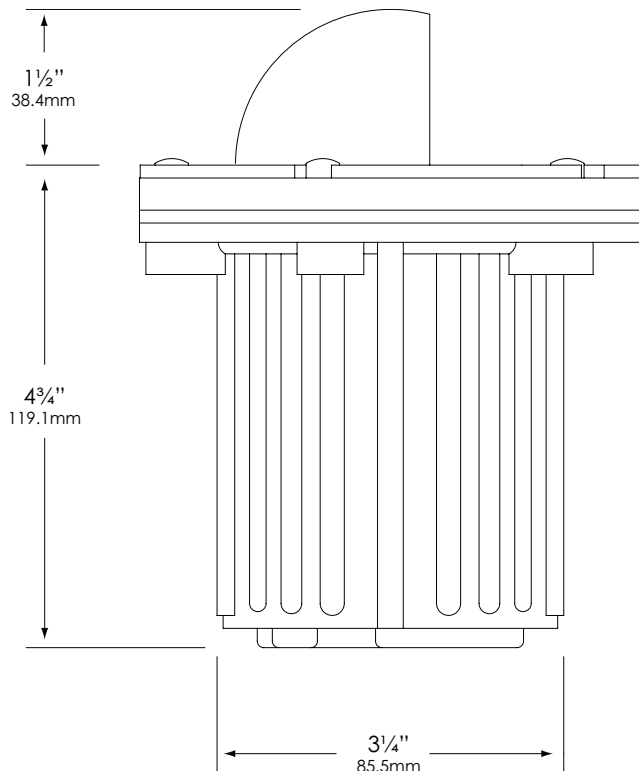
All fasteners are stainless steel with brass inserts.

WIRING:

Prewired with a three-foot pigtail of 18-2 direct-burial cable and underground connectors for a secure connection to supply cable.

All Vista luminaires are [MADE IN U.S.A.](#)

DIMENSIONS:



Vista Professional Outdoor Lighting reserves the right to modify the design and/or construction of the fixture shown without further notification.



SPECIFICATION SHEET

MODEL 5273-LED Landscape Series • In-Ground & Well Lights

FIXTURE ORDERING INFORMATION

TO ORDER FIXTURE: Select appropriate choice from each column as in the following example.

EXAMPLE: GW-5273-B-W-LF3MF-SL

MOUNTING	MODEL	FINISH	COLOR TEMP	LAMP
GW - In-grade CM - In-grade conduit mount	5273	B- Black G- Verde BR- Architectural Brick Z- Architectural Bronze LZ - Light Bronze DZ - Dark Bronze GT- Granite P- Pewter TC- Terracotta R- Rust HG- Hunter Green M- Mocha WB- Weathered Bronze WI- Weathered Iron W- White	W - Warm C - Cool	LF3SP - 3 emitter, 5W, Spot LF3MF - 3 emitter, 5W, Med. Flood LF3WF - 3 emitter, 5W, Wide Flood LF6SP - 6 emitter, 10W, Spot LF6MF - 6 emitter, 10W, Med. Flood LF6WF - 6 emitter, 10W, Wide Flood LF9SP - 9 emitter, 17W, Spot LF9MF - 9 emitter, 17W, Med. Flood LF9WF - 9 emitter, 17W, Wide Flood LED - Group F Emitter Qty - 3, 6 or 9 Temperature - Warm (W) or Cool (C) Operating voltage range - 10.5 to 15V. <i>(Please see lamp order code column on lamp guide, Vista product catalog.)</i>

Fixtures shipped with standard lamp, unless otherwise specified.

Product: _____

Type: _____

Project: _____

PTH055 5.5" Traditional Hat Path Light

Natural Metal

Fixture Ordering Guide

Product Code	Finish	Stem
PTH055	AB - Antique Brass	12"
	BR - Brass	15"
	CU - Copper	18"
	SS- Stainless Steel	

JC20 Halogen lamp shipped with fixture. To substitute a ProLED® lamp, add lamp product code

Example: PTH055-AB-15-JC20/2WW/LED



Housing:

- Brass, Copper or Stainless Steel construction
- Underside of 5½" diameter hat is coated with white reflective paint for optimum output and diffusion
- Stepped, threaded brass collar for tool-less attachment and easy relamping
- Clear 2.55mm thick removable polycarbonate lens protects the lamp

Stem:

- 7/8" diameter stem provides solid, stable mounting

Finish:

- Antique Brass, Brass, Copper or Stainless Steel
- Brass and Copper age gracefully as patina develops
- Antique Brass finish is natural brass with an electrostatic coating that is hand polished and rubbed for an elegant, aged brass appearance

Socket:

- Ceramic G4 bi-pin socket
- Heat-resistant wire leads

Lamp:

- T3-G4 bi-pin – 20W maximum
- ProLED® JC lamps provide up-to 40,000 hour rated life, 10-18V input voltage range and 3000K, amber, blue, green and red color options
- ProLED® IP65 Rated JC lamps are rated for use outdoors where exposed directly to water from rain or irrigation

Mounting:

- 8" black ground stake included

Electrical:

- 12 Volt system
- Pre-wired with 36", 18-2 lead wire
- Two King® DryConn™ waterproof connectors included

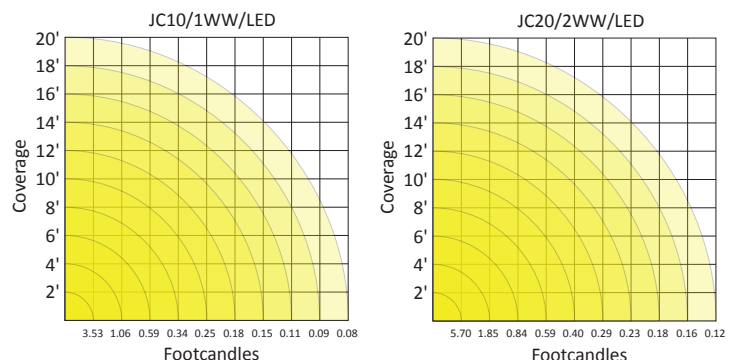
Certifications:

- ETL Listed to UL Standard 1838 and CSA C22.2 No. 250.7

Warranty:

- Backed by a lifetime (Antique Brass, Brass or Stainless Steel) or 15-year (Copper) limited warranty to be free from defects in material and/or workmanship
- ProLED® IP65 Rated JC lamps installed in Sollos fixtures per installation instructions are backed by a 20-year limited warranty

Photometrics:

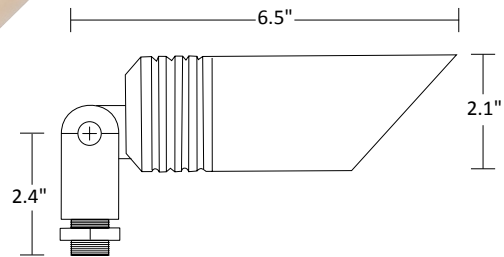


BCB065
Contemporary Bullet
Natural Metal

Fixture Ordering Guide

Product Code	Finish
BCB065	AB - Antique Brass
	BR - Brass

Order Lamp Separately
Example: BCB065-AB-MR16BAB/827/LED



Shroud

- Antique Brass or Brass
- Brass ages gracefully as patina develops
- Antique Brass finish is natural brass with an electrostatic coating that is hand polished and rubbed for an elegant aged brass appearance

Housing:

- Cast brass base and knuckle
- Fully adjustable swivel arm with locking teeth maintains desired angles
- Two silicone o-rings provide a low-friction, watertight seal
- Gasketed knuckle to prevent water intrusion

Lens:

- Shock and heat-resistant clear, tempered glass

Socket:

- Ceramic GU5.3 bi-pin socket
- Stainless steel retention clip ensures secure lamp seating and protects the lamp from shock and vibration
- Heat-resistant wire leads

Lamp:

- MR16 – 50W maximum
- ProLED® MR16 lamps offer 40,000 hour rated life, 10-15V input voltage range, multiple beam spreads (flood, narrow flood, spot and wide flood) and 2700K, 3000K and colors (amber, blue, green, red and color changing options).

Mounting:

- 8" black ground stake included

Electrical:

- 12 Volt system
- Pre-wired with 36" 18-2 lead wire
- Two King® DryConn™ waterproof connectors included

Certifications:

- ETL Listed to UL Standard 1838 and CSA C22.2 No. 250.7

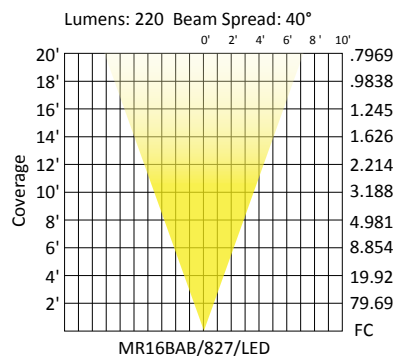
Fasteners:

- All fasteners are corrosion-resistant stainless steel

Warranty:

- Backed by a lifetime limited warranty to be free from defects in material and/or workmanship
- ProLED MR16 lamps installed in Sollos fixtures per installation instructions are backed by a 20-year limited warranty

Photometrics:





**PROFESSIONAL
OUTDOOR LIGHTING**

FIXTURE E

Type:

Model:

Project:

SPECIFICATION SHEET

MODEL 4019 Landscape Series • Path & Spread Lights

FIXTURE SPECIFICATIONS:

HOUSING:

Die-cast, copper-free aluminum with injection-molded, glass-reinforced polymer adjustable knuckle for fully articulated repositioning.

SHROUD:

Die-cast, copper-free aluminum fitted to housing with a silicone O-ring gasket – providing a superior weather-tight seal.

STEM:

½" schedule-40 aluminum pipe with ½" NPT.

FINISH:

Polyester powder-coat finish available in Black, Verde, **Architectural Brick**, Architectural Bronze, Light Bronze, Dark Bronze, Granite, Pewter, Terracotta, Rust, Hunter Green, Mocha, Weathered Bronze, Weathered Iron, and White.

SOCKET/LAMP HOLDER:

Top grade ceramic socket with nickel contacts, stainless steel springs, & Teflon-jacketed wire leads.

LENS:

Clear, tempered, shock & heat-resistant soda-lime glass lens.

LAMP TYPE:

MR-16 Halogen – 20W maximum. LN-20 BAB (20W) Standard.

AIMING:

Adjustable multi-access swivel provides up to ±90° of tilt from vertical as

well as 360° of full circle rotation in vertical & horizontal planes.

MOUNTING:

Bottom of stem threaded with ½" NPT. Fixture may be mounted into threaded hubs in junction boxes, ground stakes, floor mounting canopies, or architectural canopies. Architectural canopies are ideal for use in extending fixtures from walls & projecting back to light signs, wash walls, & provide accents to facades.

FASTENERS:

All fasteners are stainless steel.

WIRING:

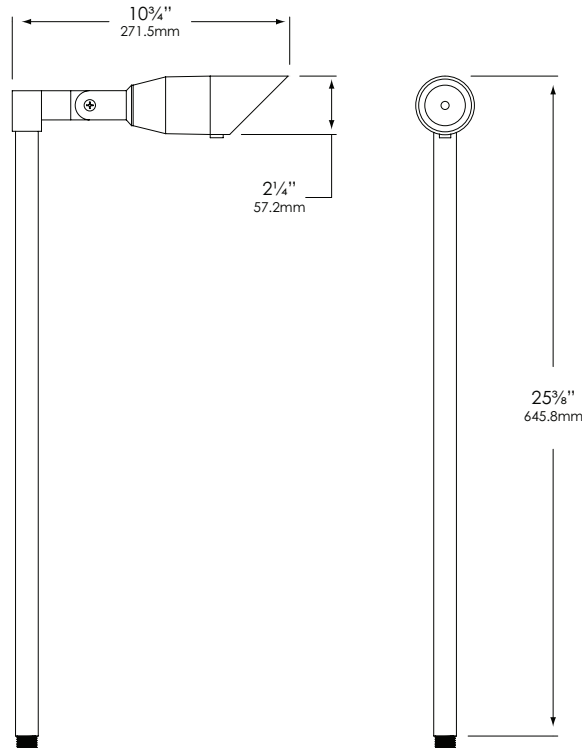
Prewired with a three-foot pigtail of 18-2 direct-burial cable & underground connectors for a secure connection to supply cable.

CERTIFICATION:

UL Listed to U.S. & Canadian safety standards for low voltage landscape luminaires (UL 1838). Maximum wattages allowed by Underwriters Laboratories for U.S. & Canadian markets may vary. Maximum wattages specified are Underwriters Laboratories U.S. standard. Please contact Vista for any questions about maximum wattages allowed by UL Canadian standards.

All Vista luminaires are [MADE IN U.S.A.](#)

DIMENSIONS:



Vista Professional Outdoor Lighting reserves the right to modify the design and/or construction of the fixture shown without further notification.



SPECIFICATION SHEET

MODEL 4019 Landscape Series • Path & Spread Lights

FIXTURE ORDERING INFORMATION

TO ORDER FIXTURE: Select appropriate choice from each column as in the following example.

EXAMPLE: ML-4019-B-BAB-SL

MOUNTING	MODEL	FINISH	LAMP	ACCESSORIES
ML - ABS ground stake AC - Architectural canopy	4019	B - Black G - Verde BR - Architectural Brick Z - Architectural Bronze LZ - Light Bronze DZ - Dark Bronze GT - Granite P - Pewter TC - Terracotta R - Rust HG - Hunter Green M - Mocha WB - Weathered Bronze WI - Weathered Iron W - White	BAB - 20W MR-16 Halogen 20W Maximum LN-20 BAB (20W) Standard <i>(Please see lamp order code column on lamp guide, Vista product catalog.)</i>	BL - Flat Cool Blue lens SL - Flat Spread lens FR - Flat Frosted lens DBL - Flat Dark Blue lens GL - Flat Dark Green lens RL - Flat Red lens YL - Flat Amber lens HL - Honeycomb louver

Fixtures shipped with standard lamp, unless otherwise specified.
 Fixtures shipped with specified mounting hardware.
 Note: Optional custom length stems available. Consult local distributor.



**PROFESSIONAL
OUTDOOR LIGHTING**

FIXTURE F

Type:

Model:

Project:

SPECIFICATION SHEET

MODEL 4260M Landscape Series • Step & Brick Lights

FIXTURE SPECIFICATIONS:

CHASSIS:

Stainless Steel

FLANGE PLATE:

Stainless Steel

HOUSING:

Aluminum, Stainless Steel, Brass, or Copper

FINISH:

Polyester powder-coat finish available in Black, Verde, **Architectural Brick**, Architectural Bronze, Light Bronze, Dark Bronze, Granite, Pewter, Terracotta, Rust, Hunter Green, Mocha, Weathered Bronze, Weathered Iron, and White. Also, natural copper, stainless steel, natural brass, and Olde brass.

SOCKET/LAMP HOLDER:

Top grade Noryl polymer socket with phosphor bronze contacts and PVC-jacketed wire leads.

Stainless steel lamp holder.

LAMP TYPE:

LNX-10 T3.5 Xenon(10W) Standard, 10W Max

LENS:

High-impact, textured, Tuffak® lens for superior light distribution.

WIRING:

Provided with a five-foot pigtail of 18-2 SPT1 UV resistant cable & underground connectors for a secure connection to supply cable.

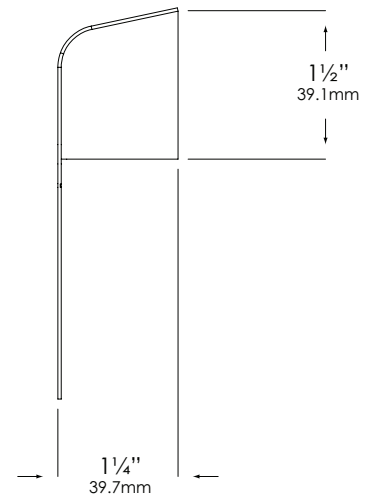
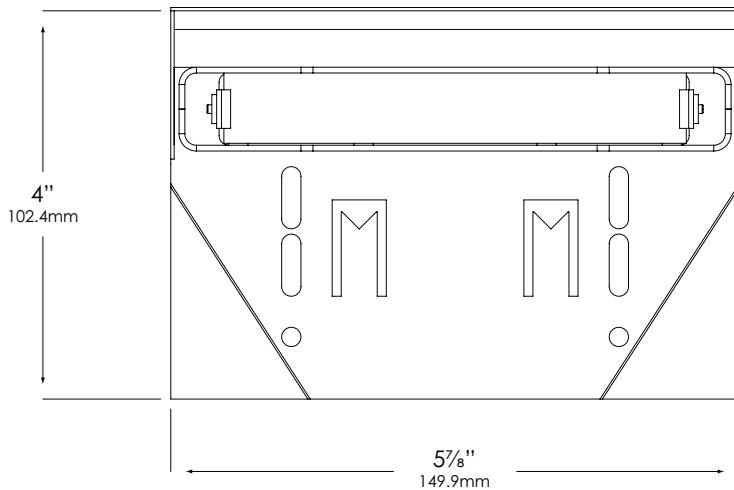
CERTIFICATION:

UL Listed to U.S. & Canadian safety standards for low voltage landscape luminaires (UL 1838). The maximum wattages allowed by Underwriters Laboratories (UL) for the U.S. & Canadian markets may vary. Maximum wattages specified are Underwriters Laboratories U.S. standard. Please contact Vista for any questions about the maximum wattages allowed by UL Canadian standards.

All Vista luminaires are MADE IN U.S.A.

This fixture is also available as a LED luminaire. Please refer to LED Specification Sheet - 4260M-LED.

DIMENSIONS:



Vista Professional Outdoor Lighting reserves the right to modify the design and/or construction of the fixture shown without further notification.



SPECIFICATION SHEET

MODEL 4260M Landscape Series • Step & Brick Lights

FIXTURE ORDERING INFORMATION

TO ORDER FIXTURE: Select appropriate choice from each column as in the following example.

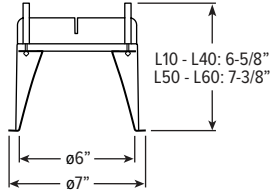
EXAMPLE: SL-4260M-B-10T3.5

MOUNTING	MODEL	FINISH	LAMP
SL- Step light	4260M	B - Black G - Verde BR - Architectural Brick Z - Architectural Bronze LZ - Light Bronze DZ - Dark Bronze GT - Granite P - Pewter TC - Terracotta R - Rust HG - Hunter Green M - Mocha WB - Weathered Bronze WI - Weathered Iron W - White SS - Stainless Steel CSN - Copper BSN - Brass BSO - Olde Brass	T3.5 Wedge Base 10W Maximum LNX-10 T3.5 Xenon (10W) Standard <i>(Please see lamp order code column on lamp guide, Vista product catalog.)</i>

Fixtures shipped with standard lamp, unless otherwise specified.

6DR LED 6" Downlight – Round

FIXTURE H



CATALOG #: _____

TYPE: _____

PROJECT: _____

NEW CONSTRUCTION AND REMODEL

FEATURES

TrimLock®

- Innovative TrimLock reflector retention system ensures trim remains flush with ceiling plane
- Industry-leading efficacies as high as 116 lm/W – ENERGY STAR® certified
- Fully room-side accessible
- Available on QuickShip

SPECIFICATIONS

- HOUSING** – Die-cast aluminum trim housing with forged aluminum heat sink. Galvanized steel splice compartment with driver mounting plate/enclosure. Swing-out mounting arms adjust for ceiling thickness from 1/2" - 1-7/16" (see options for additional ceiling thicknesses).
- TRIMLOCK** – Innovative TrimLock reflector retention system ensures the trim remains flush with the ceiling plane.
- OPEN REFLECTOR** – Low-iridescent anodized aluminum. Clear semi-specular finish standard.
- LENSED TRIM** – Die-cast aluminum frame with micro-prismatic, tempered glass lens.
- ELECTRICAL** – High-performance Class 2 C.O.B. LED array. Modular quick-connect plug for easy field-connection of LED light assembly to driver. Reported L70>55,000 hours. Reported L90>55,000 hours. Estimated L70 = 200,000 hours.
- MOUNTING** – Recessed. 20 ga. galvanized steel mounting pan for new construction or IC-rated enclosure. Remodel kit option includes receiver bracket hardware. Minimum 24" O.C. marked spacing required for L60 lumen package.
- LISTINGS** –
 - cCSAus conforms to UL STD 1598; Certified to CAN/CSA STD C22.2 No. 250.0 for damp locations. LED light assembly conforms to UL 2108 for remote installation.
 - Suitable for wet location under covered ceiling when specified with WET/CC or TD options.
 - ENERGY STAR® certified in select configurations, see www.energystar.gov
 - IC-rated for direct contact with insulation when specified with I Mounting Type.
 - City of Chicago Environmental Air approved when specified with CP option.
 - Complies with ASTM-E283 when specified with ATH option.
 - RoHS compliant.
- WARRANTY** – 5-year limited warranty, see hew.com/warranty.

ORDERING EXAMPLE:^[1] **6DR - TL - L20/835 - OPTIONS - DIM - UNV - OW - OF - CS - TRIM OPTIONS - N - F1**

HOUSING

TRIM

MOUNT.

HOUSING

SERIES	LUMENS ^[2]	CRI	CCT	OPTIONS	DRIVER ^[3]	VOLTAGE
6DR - TL	L10 1,000lm	8 80	27 2700K	SCA__ Sloped ceiling adapter ^[4]	DIM Dimming driver, 0-10V	UNV 120-277V
TrimLock	L15 1,500lm	9 90	30 3000K	ATH Airtight construction	DIM1 1% Dimming driver, 0-10V	347 347V ^[5]
	L20 2,000lm		35 3500K	F Fuse		
	L30 3,000lm		40 4000K	EM/10W 10-watt emergency battery ^[6]		
	L40 4,000lm			EM/10W/ITS 10-watt emergency battery with integral test switch ^[7]		
	L50 5,000lm			CP Chicago plenum (CCEA) ^[8]		
	L60 6,000lm			SDT Stepdown transformer ^[9]		
				TC Adjustable mounting arms for 1-1/2" – 2-1/4" thick ceilings		

TRIM

TRIM TYPE	DISTRIBUTION ^[10]	FLANGE TYPE	REFLECTOR FINISH	TRIM OPTIONS
O Open reflector	W Wide	OF 1/2" standard flange	Open trim types	MWT Textured white trim flange ^[17]
L Flush lens	65° Open	SF 1/4" mud-in flange ^[16]	CS Clear semi-specular anodize	IP IP65 rated trim ^[18]
R Regressed lens	55° Flush		SG Satin-glow anodize	AD Diffuse acrylic lens ^[19]
A Angled lens ^[11]	55° Regressed		GD Gold anodize	PD Diffuse 1/8" polycarbonate lens ^[20]
S Non-conductive flush lens for shower applications ^[12]	M Medium ^[13]		CG Champagne gold anodize	TD Diffuse polycarbonate lens media at top of open reflector ^[21]
	35° Open		PW Pewter anodize	WET/CC Wet location, covered ceiling listed ^[22]
	35° Flush		SPC Clear specular anodize	
	35° Regressed		RG Rose gold anodize	
	N Narrow ^[14]		WH White texture powder coat	
	10° Open		BL Black texture powder coat	
	25° Flush		Lens trim types	
	25° Regressed		CS Clear semi-specular powder coat	
	WW Wall wash ^[15]		WH White texture powder coat	
			BL Black texture powder coat	
			MB Black texture splay with white flange ^[23]	

MOUNTING

MOUNTING TYPE ^[24]

- N** Open pan for new construction
- I** IC-rated enclosure for new construction ^[26]
- R** Remodel kit ^[27]

MOUNTING HARDWARE ^[25]

- F1** 2-Position fixed pan bracket, universal bar hanger included
- F1A** Factory-installed 2-position fixed pan bracket, universal bar hanger included ^[28]
- F2** 2-Position fixed pan bracket, t-bar bar hanger included

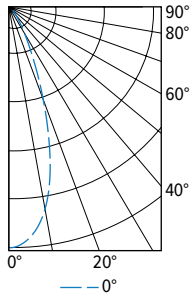
NOTES

- Housing, trim, and mounting ship separately.
- Lumen output based on O trim type, W distribution and CS finish, 3500K/80CRI. Actual lumens may vary +/-5%. See page 2 for FIXTURE PERFORMANCE DATA.
- See page 4 for ADDITIONAL DRIVER OPTIONS.
- 11-1/2" aperture, specify degrees of slope in 5° increments, 05°-30°. See page 4 for SLOPED CEILING ADAPTOR DETAILS. Not available with ATH option. N Mounting Type only.
- Not available with EM batteries.
- N and R Mounting Types only.
- Not available with WET/CC or TC options. N Mounting Type and O Trim Type only, requires alternate construction and trim retention. See page 5 for MOUNTING TYPE DETAILS.
- I Mounting Type required.
- May be required for 347V, see product builder at hew.com/product-builder
- Beam angle based on W distribution with CS or WH reflector finish. See page 2 for FIXTURE PERFORMANCE DATA.
- Available with WW Distribution only.
- W Distribution, OF Flange Type and WH Reflector Finish only. Only available with AD diffuse acrylic lens, standard. IP and WET/CC options standard. Reduces lumen output, use .85 multiplier.
- Not available with lumen stops L50 and higher when specified with flush or regressed trim types.
- Not available with lumen stops L50 and higher when specified with flush or regressed trim types.
- O and A Trim Types only.
- For use with mud-in plaster construction only, supplied with mud flange installation kit. See page 4 for FLANGE TYPE DETAILS. Not available with IP option.
- Not available with WH Reflector Finish.
- L and R trim types only.
- L and R Trim Types only. Wide distribution only.
- L and R Trim Types only. Wide distribution only.
- O Trim Type only. WET/CC standard. Reduces lumen output, use .75 multiplier.
- Reduces lumen output, use .85 multiplier.
- R Trim Type only
- Mounting hardware required (N and I only), ordered separately, see MOUNTING HARDWARE ordering info. See page 5 for MOUNTING TYPE DETAILS.
- Specify for N and I Mounting Types only. Additional mounting hardware options available. See page 5 for MOUNTING HARDWARE DETAILS.
- L30 lumen package max.
- Also used in new construction sheetrock ceilings.
- Universal bar hanger ships uninstalled



6DR LED 6" Downlight – Round

6DR-TL-L20/835-DIM-UNV-RM-OF-WH Report #: 12326812.14; 06/06/18 | Total Luminaire Output: 1782 lumens; 19.1 Watts | Efficacy: 93.3 lm/W | 82.7 CRI; 3546K CCT



CANDLEPOWER DISTRIBUTION	VERTICAL ANGLE	HORIZONTAL ANGLE	ZONAL LUMENS
		0°	
	0	4313	
	5	4131	277
	15	2669	346
	25	846	155
	35	225	55
	45	76	26
	55	41	17
	65	23	10
	75	10	4
	85	3	1
	90	0	

LUMEN SUMMARY	ZONE	LUMENS	% FIXTURE
	0 - 40	1648	93
	0 - 60	1746	98
	0 - 90	1782	100
	0 - 180	1782	100

ADDITIONAL DRIVER OPTIONS

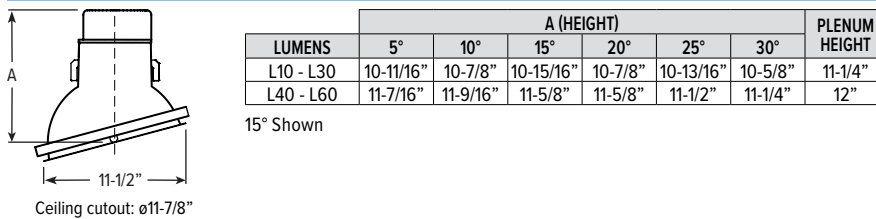
Lumen restrictions apply: L40 max for DMX driver, L40 max for Lutron drivers, L50 max for ELDO drivers. 347V may require stepdown transformer, see product builder at hew.com/product-builder.

CATALOG NUMBER	DESCRIPTION
DIM	Dimming driver prewired for 0-10V low voltage applications
DIM1	1% dimming driver prewired for 0-10V low voltage applications
DMX	0.1% dimming driver for DMX controls
LTE LINE	Lutron Hi-Lume® A-Series 1% dimming driver for forward phase line voltage controls (120V only)
LDE1	Lutron EcoSystem® H-Series 1% dimming driver for EcoSystem® controls
LDE5	Lutron EcoSystem® 5-Series 5% dimming driver for EcoSystem® controls
ELDO SOLOB	EldoLED Solodrive, 0.1% dimming driver for 0-10V controls
ELDO SOLOB DALI	EldoLED Solodrive, 0.1% dimming driver for DALI controls
ELDO ECO1	EldoLED Ecodrive, 1% dimming driver for 0-10V controls
ELDO ECO1 DALI	EldoLED Ecodrive, 1% dimming driver for DALI controls

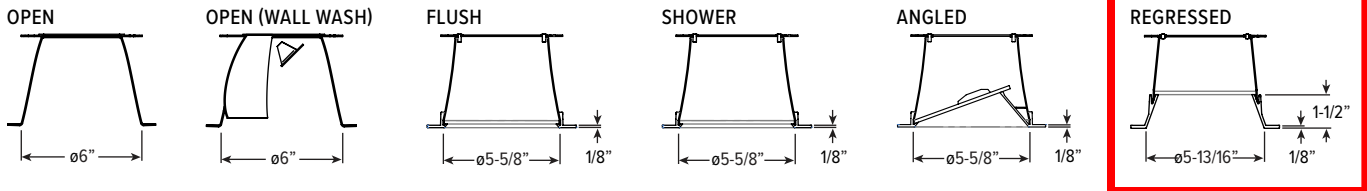
TRIMLOCK DETAILS



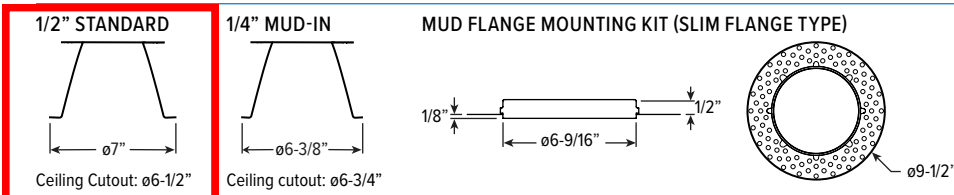
SLOPED CEILING ADAPTOR DETAILS



TRIM TYPE DETAILS



FLANGE TYPE DETAILS



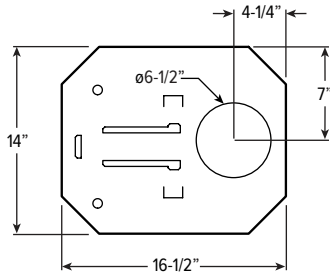
6DR LED 6" Downlight – Round

REFLECTOR FINISH DETAILS

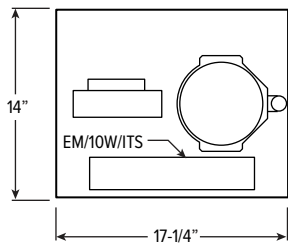


MOUNTING TYPE DETAILS

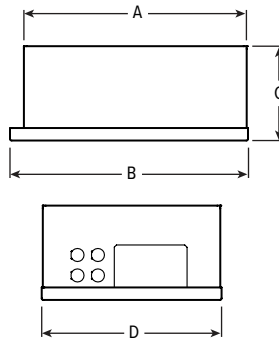
NEW CONSTRUCTION



NEW CONSTRUCTION WITH EM/10W/ITS

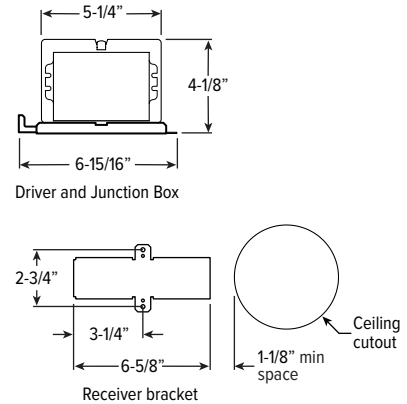


IC-RATED



LUMENS	LENGTH			
	A	B	C	D
L10 - L20	15-3/16"	16"	6-3/8"	12-1/8"
L30	16-5/8"	17-1/2"	7-7/8"	14"

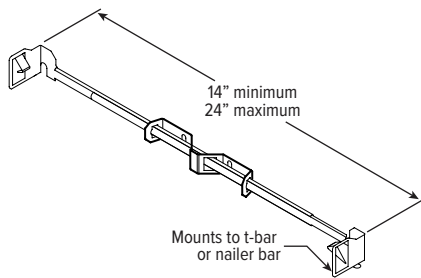
REMODEL



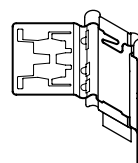
MOUNTING HARDWARE DETAILS

F1 2-Position fixed pan bracket, universal bar hanger included

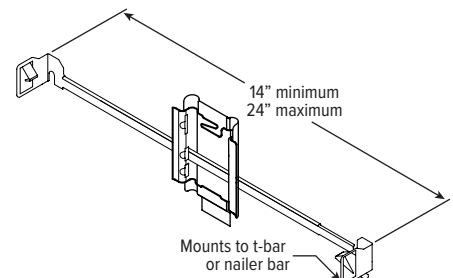
F1A Factory-installed 2-position fixed pan bracket, universal bar hanger included



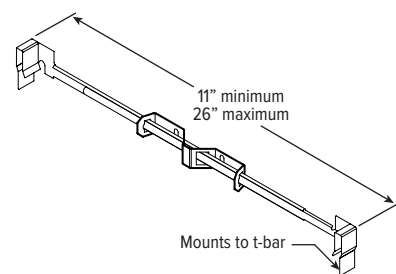
BA1 Adjustable butterfly pan bracket, bar hanger not included (N Mounting Type only)



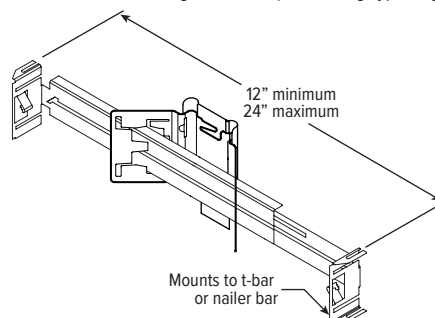
CA1 Adjustable caterpillar pan bracket, universal bar hanger included



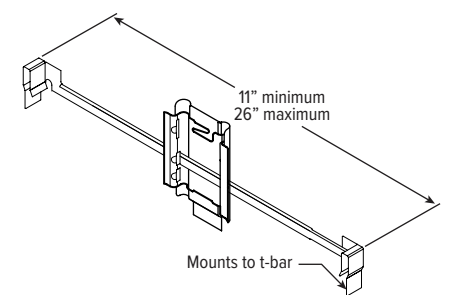
F2 2-Position fixed pan bracket, t-bar bar hanger included



BA2 Adjustable butterfly pan bracket, heavy-duty universal bar hanger included (N Mounting Type only)



CA2 Adjustable caterpillar pan bracket, t-bar hanger included



Search



52" Minka Aire Simple White Outdoor Ceiling Fan - Style # 9G066

★★★★★ Write a Review | 6 Questions, 7 Answers

DOWNROD OPTIONS FOR HIGH CEILINGS

\$319.95

FREE SHIPPING & FREE RETURNS* |

Low Price Guarantee

SHIPS TODAY! (orders by 2pm Pacific)

1

ADD TO CART

SAVE

An outdoor 52" simple white ceiling fan featuring a contemporary design and three matching white blades.

MORE DETAILS >



CHAT

VIEW IN YOUR ROOM

MORE YOU MAY LIKE



\$229.95



\$299.99



\$339.99



\$279.99



\$319.95

PRODUCT DETAILS

Boasting a flat white finish, this 52" ceiling fan exudes refined style. Designed by Minka Aire, the Simple contemporary fan has three matching white blades and can be used in outside in both covered and uncovered areas. With a six-speed handheld remote control, this ceiling fan works as a fully-functional feature.



[Shop all Minka Aire](#)


- Flat white finish motor.
- Three flat white finish molded ABS blades.
- 52" blade span.
- 14 degree blade pitch.
- 123 x 30 mm DC motor size.
- UL listed for wet locations.
- Full function 6-speed hand held remote with dimming function.
- 6" downrod included.
- Fan height 10 3/4" from ceiling to blades (with 6" downrod).
- Maximum slope of 18 degrees with included canopy. Cannot take a slope adapter.

Category	Features (Mouseover the underlined feature to review its benefits)
Speeds	<u>6 Speed</u>
Fan Name	52" Minka Aire Simple White Outdoor Ceiling Fan
Brand	Minka
Finish	White
Motor Housing	Stamped Steel
Blade Pitch	<u>14°</u>
Blade Span	<u>52"</u>
Blade Type	Not Reversible Blades
Reverse Air Flow	<u>Control Reverse</u>
Mounting System	Single
Light Kit	Light Kit Optional


Category	Features (Mouseover the underlined feature to review its benefits)
Blade Type	Not Reversible Blades
Reverse Air Flow	<u>Control Reverse</u>
Mounting System	Single
Light Kit	Light Kit Optional
Manufacturer's Warranty	<u>MFG. Limited Lifetime Motor Warranty + 1Yr Component Parts</u>
Weight	16
Airflow	7037 (2017 Tested)
ElectricityUse	35 (2017 Tested)
AirflowEfficiency	214 (2017 Tested)
Other	Damp Location

RELATED VIDEOS


<




Mid Century Modern Style
Tips and Ideas



Ceiling Fan Size
Guide



Ceiling Fan Mounting
Guide



Types of Ceiling Fan
Controls

>

RELATED ITEMS



\$519.99

[More Like This](#)



\$265.95

[More Like This](#)



\$189.95

[More Like This](#)



\$245.95

[More Like This](#)

Q & A

Need Immediate Help? Try  [CHAT](#)

Questions that need answers | My Posts

ASK A QUESTION:

FREE SHIPPING on Most Orders*

FIXTURE

OPEN BOX | ACCOUNT | STORES | CHAT | 800-782-1967

LAMPS PLUS THE NATION'S LARGEST LIGHTING RETAILER

Search



INSPIRATION

SAVED

CART 3

Home / Outdoor Lighting / Wall Light / Arrington 10 3/4" High Mystic Black Outdoor Wall Light

< Go Back



MOST POPULAR

Arrington 10 3/4" High Mystic Black Outdoor Wall Light - Style # 8M831

★★★★★ 18 Reviews | 17 Questions, 50 Answers

^ MORE OPTIONS



\$79.99

Comparable Value \$119.99

FREE SHIPPING & FREE RETURNS* |

Low Price Guarantee

SHIPS TODAY! (orders by 2pm Pacific)

1

ADD TO CART

SAVE

This classy black outdoor wall light comes with a compatible light bulb in a vintage Edison style.

MORE DETAILS >



CHAT

VIEW IN YOUR ROOM

CHAT

MORE YOU MAY LIKE



\$79.99



\$44.95



\$69.99



\$79.99



\$69.99

PRODUCT DETAILS

Brighten up your home's exterior with this handsome outdoor wall light from the Arrington collection by John Timberland. This updated industrial design comes in a tapering black frame with a sleek, straight-lined look. Clear glass panels offer a full view of the beautiful vintage Edison style bulb that is included with purchase. Wet location outdoor rated. Vertical installation and wall mount only.



[Shop all John Timberland](#)

- 10 3/4" high x 6" wide. Extends 7" from the wall. Weighs 2.97 lbs.
- Backplate is 6" high x 4 1/2" wide. Distance from mounting point to top of the fixture is 2 1/2".
- Includes one 60 watt standard base Edison style bulb. Can use an incandescent, LED, or CFL bulb.
- Outdoor wall light from the Arrington collection by John Timberland. Wet location outdoor rated.
- Mystic black finish. Steel construction. Clear glass panels.
- Vertical installation only. Wall mount only.

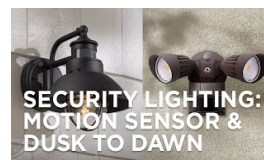
RELATED VIDEOS



Switch to LED Bulbs
Expert Tips



Outdoor Lighting Size
Guide



Security Lighting



Wet vs Damp Location

RELATED ITEMS



FREE SHIPPING on Most Orders*

FIXTURE

OPEN BOX | ACCOUNT | STORES | CHAT | 800-782-1967

LAMPS PLUS
THE NATION'S LARGEST LIGHTING RETAILER

K

Search

INSPIRATION | SAVED

CART 3

Home / Outdoor Lighting / Wall Light / Double Box 15 1/2" High Clear Glass And Bronze Wall Light

< Go Back



MOST POPULAR

Double Box 15 1/2" High Clear Glass and Bronze Wall Light - Style # 3X096

★★★★★ 27 Reviews | 33 Questions, 90 Answers

\$149.99

Comparable Value \$224.99

FREE SHIPPING & FREE RETURNS* |

Low Price Guarantee

SHIPS TODAY! (orders by 2pm Pacific)

1	ADD TO CART	SAVE
---	--------------------	----------------------

This outdoor light from Possini Euro Design comes with a vintage-look Edison bulb that lends it a wonderfully nostalgic look and feel.

MORE DETAILS >



CHAT | VIEW IN YOUR ROOM

CHAT

MORE YOU MAY LIKE



\$149.99



\$129.99



\$149.99



\$99.95



\$149.99

PRODUCT DETAILS

From Possini Euro Design, the handsome Double Box upright outdoor wall fixture features an outer frame of bronze finish metal and clear glass. Inside, a second frame of clear glass and an included Edison bulb offer a vintage touch. Together, they create a wall light that is worth your attention and will enhance your home's exterior spaces.



[Shop all Possini Euro Design](#)

- 15 1/2" high x 6 3/4" wide. Extends 5 1/2" from the wall. Distance from mounting point to the top of the fixture is 7 3/4". Weighs 8.14 lbs.
- Includes one 60 watt vintage-style Edison bulb. Can be fitted with a maximum 60 watt incandescent, LED, or CFL bulb.
- Double Box outdoor wall light from the Possini Euro Design® brand. Inspired by antique looks and industrial style fixtures.
- Bronze finish steel metal frame and accents. Clear glass panels.
- Wet location outdoor rated. Can be used indoors as well. Vertical installation only.

RELATED VIDEOS



Switch to LED Bulbs
Expert Tips



Outdoor Lighting Size
Guide



Security Lighting



Wet vs Damp Location

RELATED ITEMS



\$1,340.00

[More Like This](#)



\$139.99

[More Like This](#)



\$49.99

[More Like This](#)



\$58.09

[More Like This](#)





MOST POPULAR

Arrington 6" Wide Mystic Black Outdoor Ceiling Light - Style # 1N481

★★★★★ 2 Reviews | 19 Questions, 44 Answers

\$69.99

Comparable Value \$119.99

FREE SHIPPING & FREE RETURNS* |

Low Price Guarantee

SHIPS TODAY! (orders by 2pm Pacific)

1

ADD TO CART

SAVE

This handsome semi-flushmount ceiling light comes with a beautiful vintage Edison style light bulb.

MORE DETAILS >



CHAT

VIEW IN YOUR ROOM

CHAT

MORE YOU MAY LIKE



\$69.99



\$79.99



\$79.99



\$69.99



\$99.99

PRODUCT DETAILS

Brighten up your home's exterior with this semi-flushmount ceiling light from the Arrington collection by John Timberland. This updated industrial design comes in a tapering black frame with a sleek, straight-lined look. Clear glass panels offer a full view of the beautiful vintage Edison style bulb that is included with purchase. Rated for use in damp locations such as covered porches and patios.




[Shop all John Timberland](#)


- 11 3/4" high x 6" wide. Square canopy is 4 1/8" wide x 1/2" high. Weighs 2.79 lbs.
- Includes one 60 watt vintage style Edison bulb. Can use an incandescent, LED, or CFL bulb.
- Semi-flushmount outdoor ceiling light from the Arrington collection by John Timberland.
- Mystic black finish. Steel construction. Clear glass panels.
- Rated for damp locations such as covered porches and patios. Can also be used indoors.

RELATED VIDEOS


<




Ceiling Lighting Buying Guide



Switch to LED Bulbs Expert Tips



Outdoor Lighting Size Guide



Security Lighting

>

RELATED ITEMS



\$99.99

[More Like This](#)



\$79.99

[More Like This](#)



\$99.99

[More Like This](#)



\$344.00

[More Like This](#)



\$49.99

[More Like This](#)





**PROFESSIONAL
OUTDOOR LIGHTING**

FIXTURE M

Type:

Model:

Project:

SPECIFICATION SHEET

MODEL DL-2237 Landscape Series • Specialty Lights

FIXTURE SPECIFICATIONS:

HOUSING:

Die-cast, copper-free aluminum.

SHROUD:

Die-cast, copper-free aluminum fitted to the housing with a silicone o-ring gasket – providing a superior weather-tight seal.

FINISH:

Polyester powder-coat finish available in Black, Verde, Architectural Brick, Architectural Bronze, Light Bronze, Dark Bronze, Granite, Pewter, Terracotta, Rust, Hunter Green, Mocha, Weathered Bronze, Weathered Iron, and White.

SOCKET/LAMP HOLDER:

Top grade ceramic socket with nickel contacts, stainless steel springs, and Teflon-jacketed wire leads.

LENS:

Clear, tempered, shock and heat-resistant, soda-lime glass lens. Optical effect lenses are available; see accessories column on fixture ordering information chart.

LAMP TYPE:

MR-16 Halogen – 35W maximum. LN-20 BAB (20W) Standard.

MOUNTING:

Adjustable bracket and J-box included.

FASTENERS:

All fasteners are stainless steel.

WIRING:

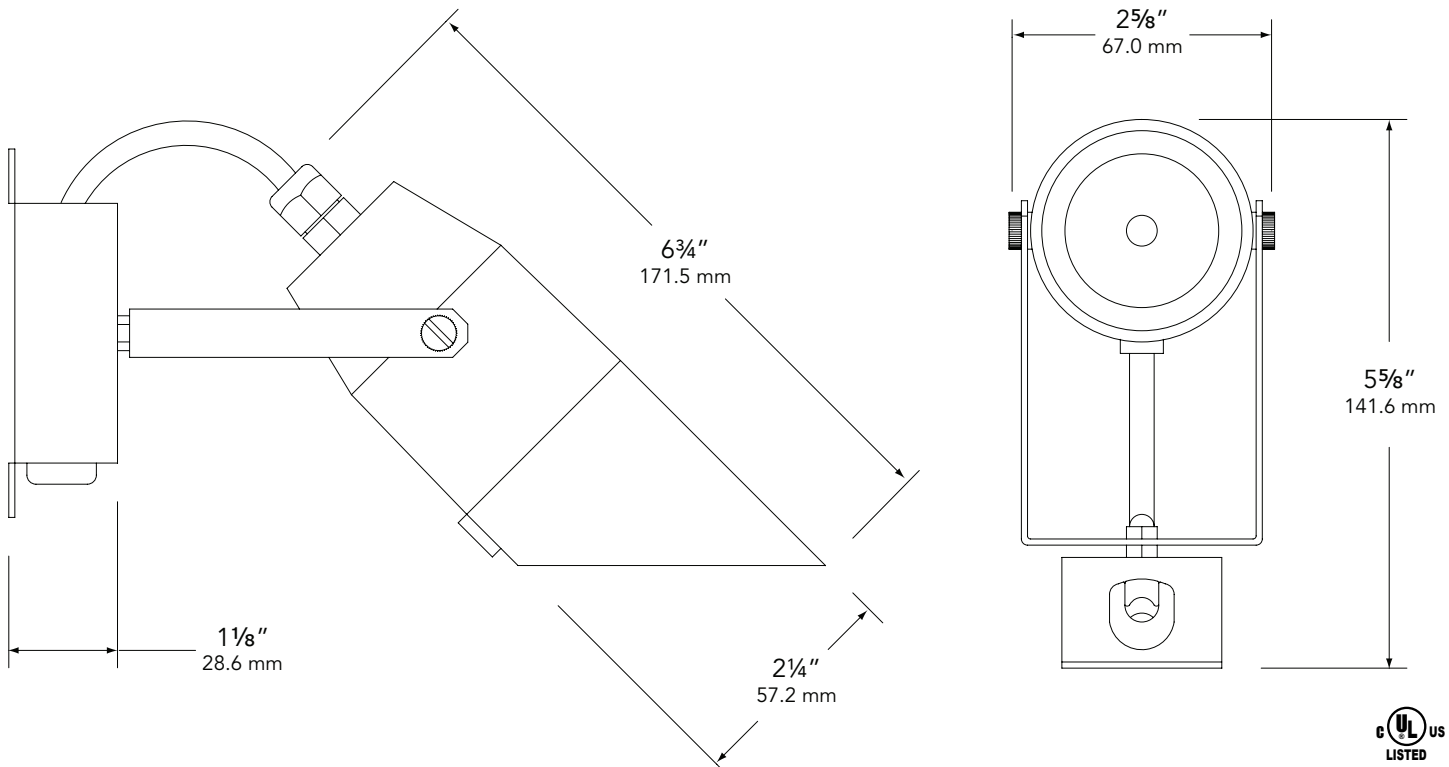
Prewired with a three-foot pigtail of 18-2 direct-burial cable and underground connectors for a secure connection to the supply cable.

CERTIFICATION:

UL Listed to U.S. and Canadian safety standards for low voltage landscape luminaires (UL 1838). The maximum wattages allowed by Underwriters Laboratories (UL) for the U.S. and Canadian markets may vary. Maximum wattages specified are Underwriters Laboratories U.S. standard. Please contact Vista for any questions about the maximum wattages allowed by UL Canadian standards.

All Vista luminaires are **MADE IN THE U.S.A.**

DIMENSIONS:



Vista Professional Outdoor Lighting reserves the right to modify the design and/or construction of the fixture shown without further notification.



SPECIFICATION SHEET

MODEL DL-2237 Landscape Series • Specialty Lights

FIXTURE ORDERING INFORMATION

TO ORDER FIXTURE: Select appropriate choice from each column as in the following example.

EXAMPLE: DL-2237-B-BAB-FR

MOUNTING	CATALOG NO.	FINISH	LAMP	ACCESSORIES
DL- Long Shroud	2237	B - Black G - Verde BR - Architectural Brick Z - Architectural Bronze LZ - Light Bronze DZ - Dark Bronze GT - Granite P - Pewter TC - Terracotta R - Rust HG - Hunter Green M - Mocha WB - Weathered Bronze WI - Weathered Iron W - White	MR-16 Halogen 35W maximum LN-20 BAB (20W) Standard <i>(Please see lamp order code column on lamp guide, Vista product catalog.)</i>	BL- Flat Cool Blue lens SL- Flat Spread lens FR- Flat Frosted lens DBL- Flat Dark Blue lens GL- Flat Dark Green lens RL- Flat Red lens YL- Flat Amber lens HL- Honeycomb louver

Fixtures shipped with standard lamp, unless otherwise specified.
 Fixtures shipped with specified mounting hardware.

Sollos Landscape Lighting

Flood Reflector

**FIXTURE
M**

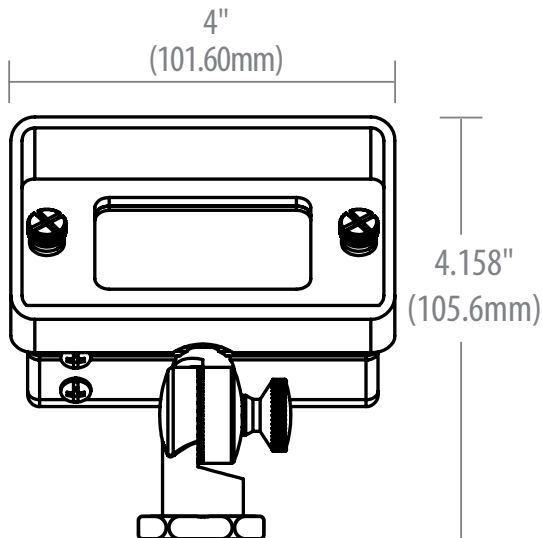
This mini wall wash landscape fixture features a small footprint, with maximum light delivery and coverage. The heavy duty construction is cast antique brass. True 35W/50W LED JC lamp options available.

FRF057-AB

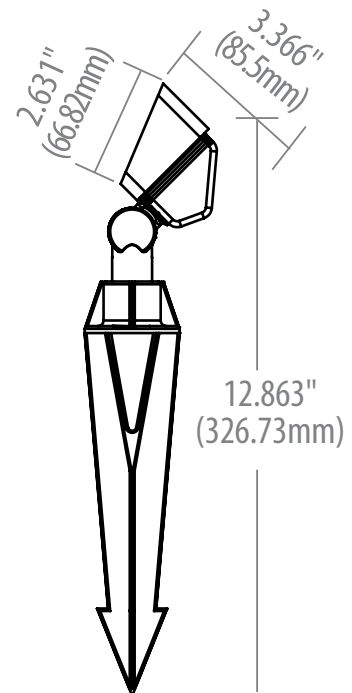
Housing	Cast Antique Brass
Lens	Frosted Tempered Glass
Wiring	3 Ft. 18/2 Wire Lead
LED Lamp	JC (not included)
Mounting Accessory	8" Ground Stake Included
Volts	12Vac

Order Codes

Antique Brass	FRF057-AB (995405)
LED Lamp Options	JC 35 (80830), JC50 (81997)



FRF057-AB Antique Brass ●



**LIFE
TIME**
WARRANTY

Contact Your Customer Care Specialist For Pricing, Orders And Technical Support. Reorder #1817

800.677.3334

www.solloslighting.com

FREE SHIPPING on Most Orders*

FIXTURE

OPEN BOX | ACCOUNT | STORES | CHAT | 800-782-1967

LAMPS PLUS
THE NATION'S LARGEST LIGHTING RETAILER



Search

INSPIRATION

SAVED

CART 3

Home / Outdoor Lighting / Flood Light / Preston 6 1/2"H Matte White LED Motion Sensor Security Light

< Go Back

Preston 6 1/2"H Matte White LED Motion Sensor Security Light - Style # 66F18

★★★★★ Write a Review | 2 Questions, 2 Answers

^ MORE OPTIONS



\$45.95

SHIPS FREE WITH ORDERS OVER \$49*

Low Price Guarantee

SHIPS TODAY! (orders by 2pm Pacific)

1	ADD TO CART	♡ SAVE
---	--------------------	--------

Stay on top of hi-tech security with this white double-head outdoor LED motion sensor light.

MORE DETAILS >



Outdoor Lighting

Shoebox “S” Pedestrian LED



The energy-efficient Shoebox “S” Pedestrian LED combines a decorative, contemporary style with versatility and ample lighting effect that is perfect for streets, parking lots, commercial buildings and residential communities. The Shoebox “S” Pedestrian LED provides excellent color rendition along with a controlled light pattern that reduces glare and keeps the light directed only where you want it.

LED <i>(Light Emitting Diode)</i>	50 watts
Mounting heights	12', 13', 16'
Color	Black
Poles	Smooth round concrete Fluted concrete Fiberglass Decorative aluminum
Applications	Neighborhoods Parks Shopping centers

For additional information, visit us at duke-energy.com/OutdoorLighting or call us toll free at 866.769.6417.

Outdoor Lighting

Shoebox “S” Pedestrian LED

Light source: LED (*white*)

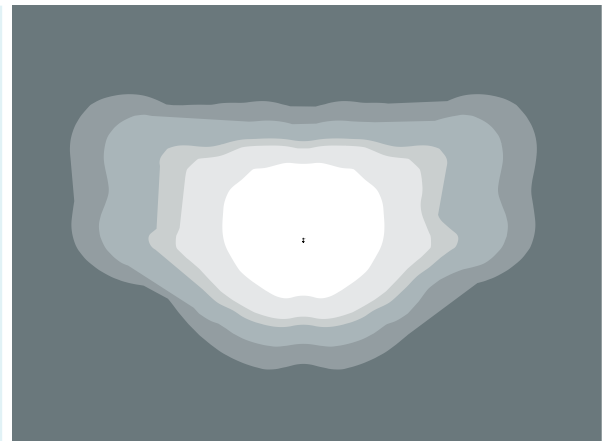
Wattage: 50

Lumens: 3,730

Light pattern: IESNA Type III (*oval*)

IESNA Backlight – Uplight – Glare (BUG) Rating: B1-U0-G1

Color temperature: 4,000K



light distribution pattern

Poles available:

<i>Name</i>	<i>Mounting height</i>	<i>Color</i>
Fiberglass	16'	Black
Style V	12', 16'	Black
Style VI	12'	Black
Style VII	13'	Black

Features

Little or no installation cost

Design services by lighting professionals included

Maintenance included

Electricity included

Warranty included

One low monthly cost on your electric bill

Turnkey operation

Backed by over 40 years of experience

Benefits

Frees up capital for other projects

Meets industry standards and lighting ordinances

Eliminates high and unexpected repair bills

Less expensive than metered service

Worry-free

Convenience and savings for you

Provides hassle-free installation and service

A name you can trust today ... and tomorrow