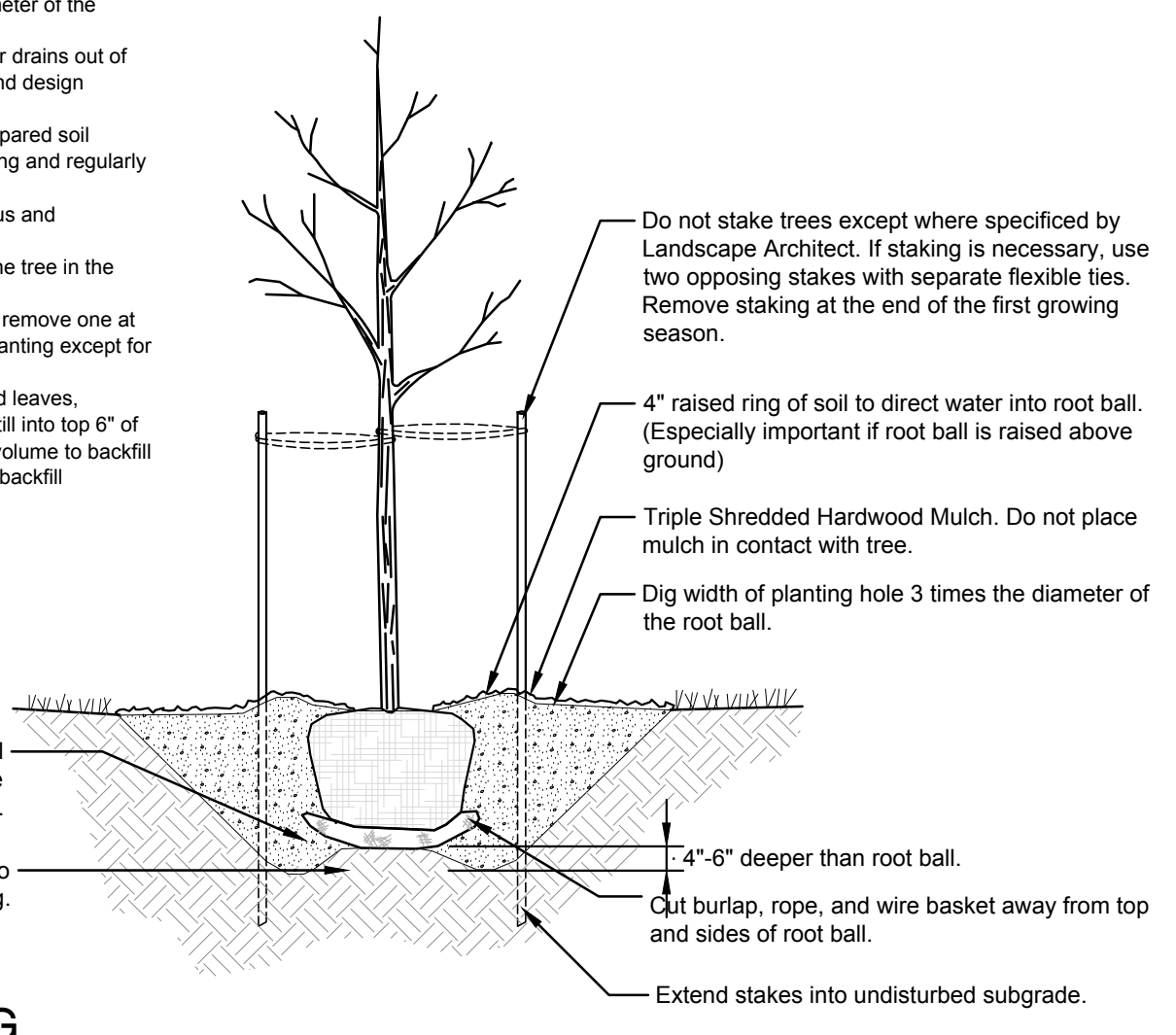
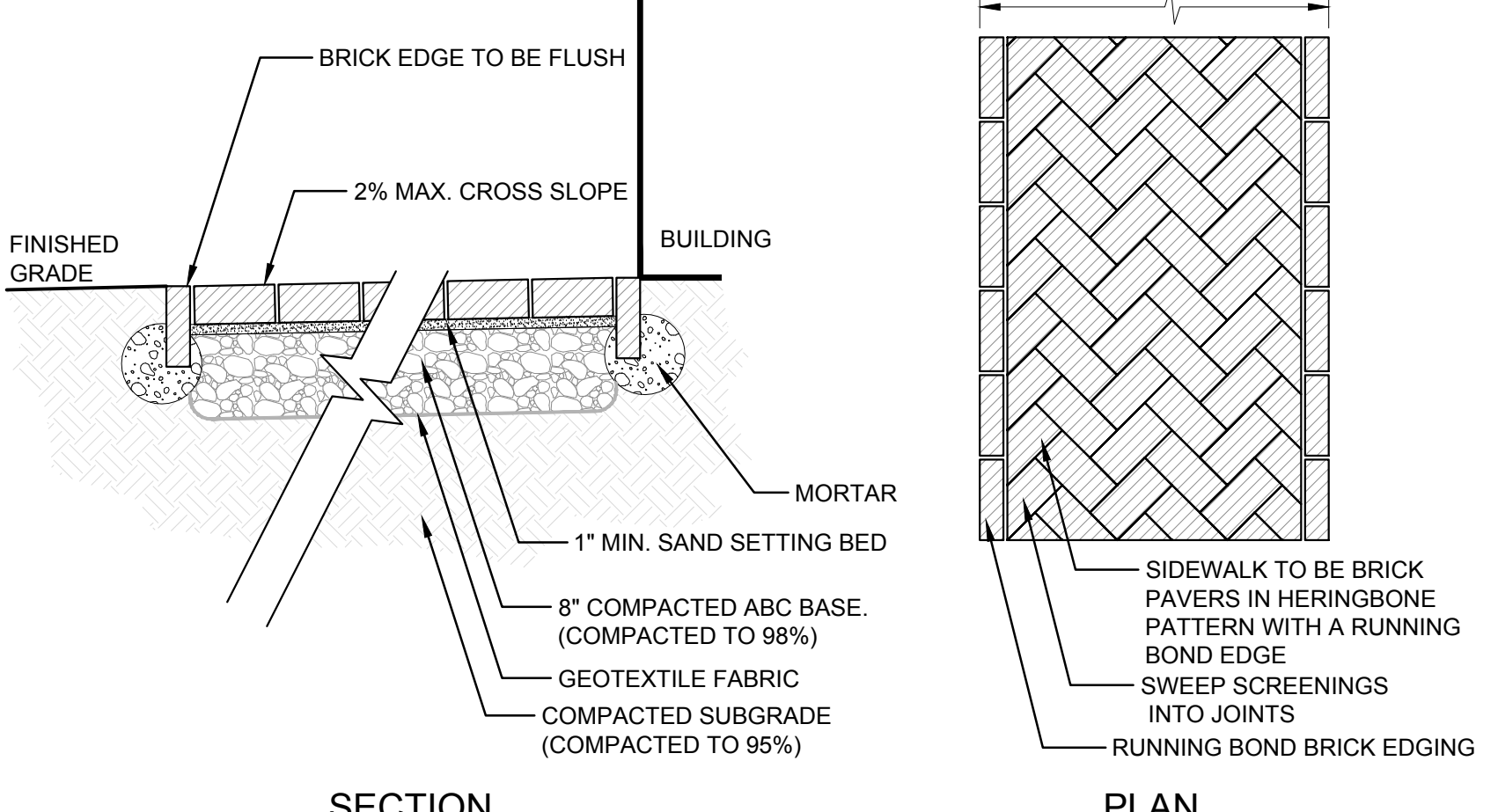


- NOTES:**
- Where several trees will be planted close together such that they will have shared root space, fill in soil amendments to a depth of 4'-6" (10'-15cm) over the entire area.
 - For container-grown trees, use fingers or small hand tools to pull the roots out of the outer layer of potting soil, then cut or pull apart any roots circling the perimeter of the container.
 - During the design phase, confirm that water drains out of the soil; use lowered planting hole depth and design alternate drainage system as required.
 - Thoroughly soak root ball and adjacent prepared soil several times during first month after planting and regularly throughout the following two summers.
 - The planting process is similar for deciduous and evergreen trees.
 - Do not wrap trunk. Mark the north side of the tree in the nursery and locate to the north in the field.
 - Avoid purchasing trees with two leaders or remove one at planting. Otherwise, do not prune tree at planting except for specific structural corrections.
 - Before planting, add 3"-4" of well-composted leaves, recycled yard waste or other compost and fill into top 6" of prepared soil. Add compost at 20-35% by volume to backfill soil. Add compost at 20-35% by volume to backfill.

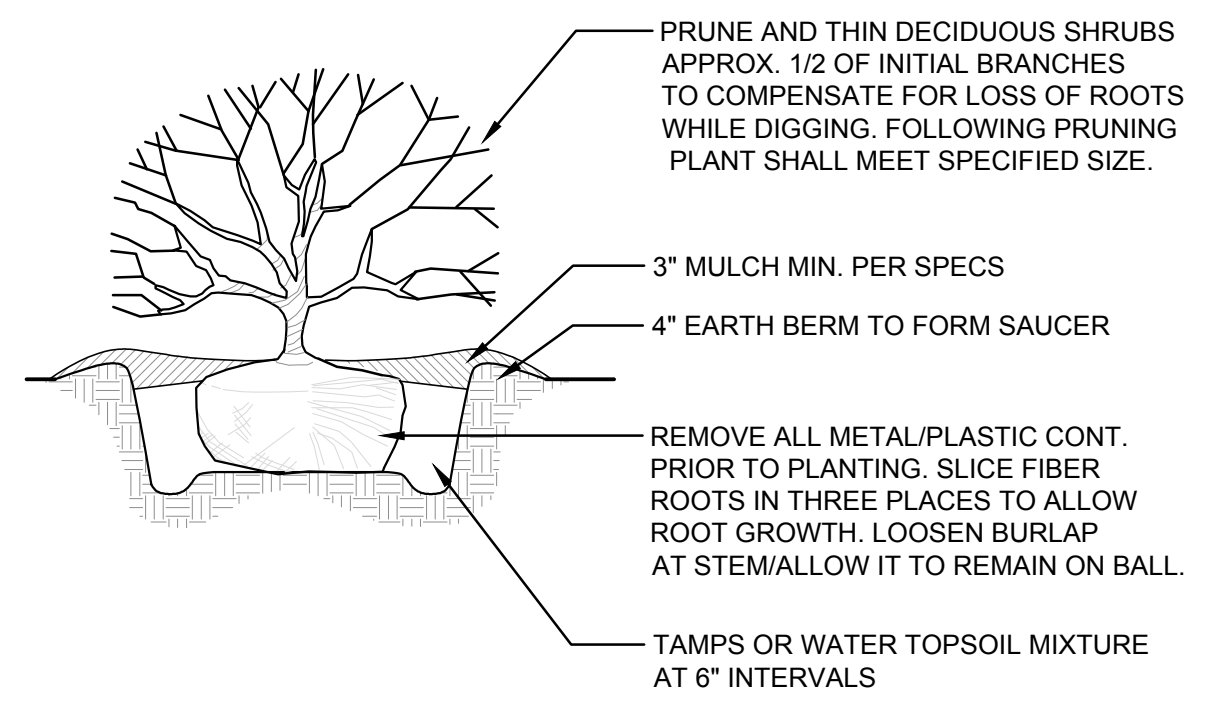


1 TREE PLANTING
NTS

- NOTES:**
BRICK SPECIFICATIONS: BRICK TO MATCH BUILDING. OWNER TO APPROVE FINAL SAMPLE PRIOR TO INSTALLATION.

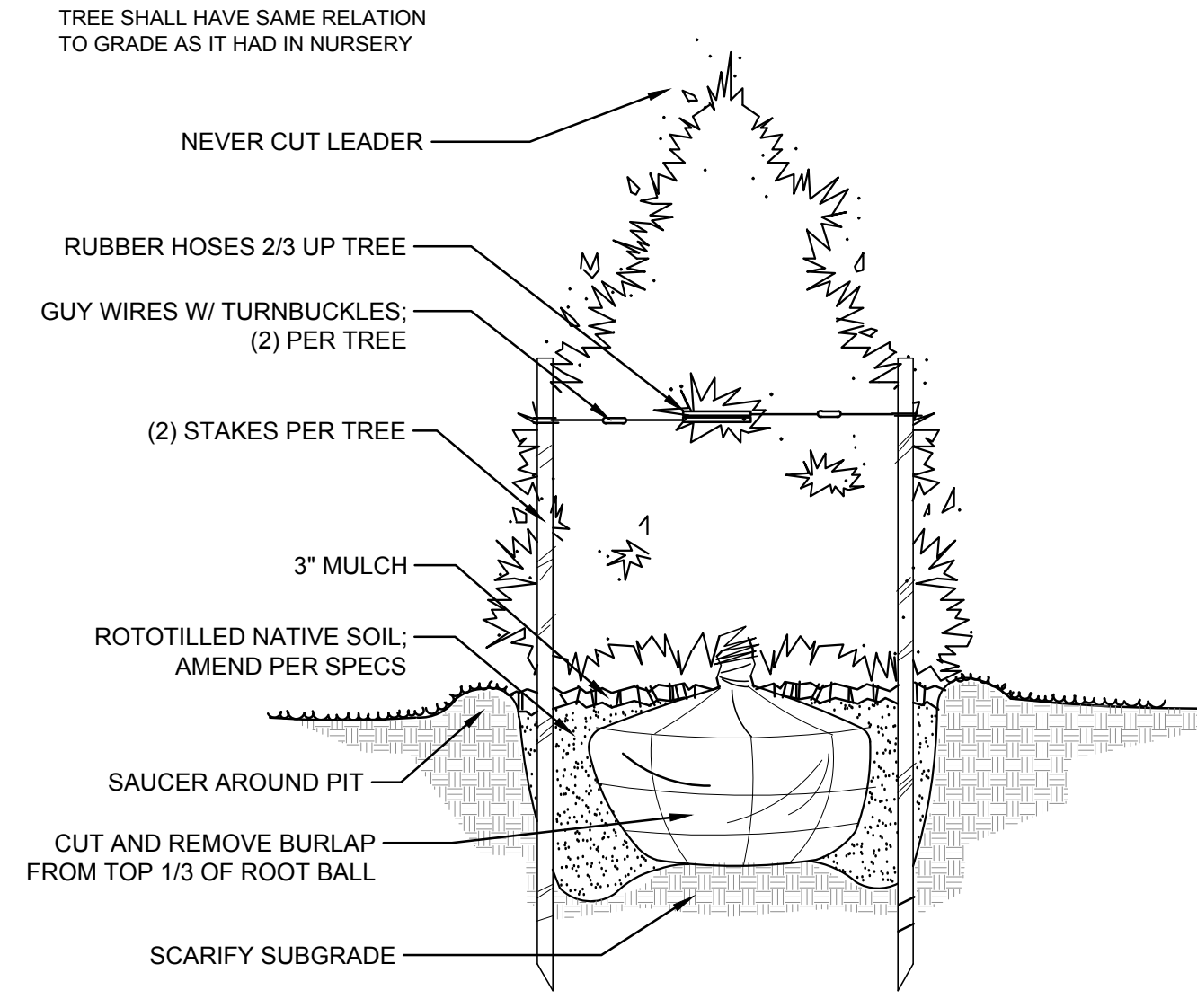


5 BRICK PAVERS
3/4" = 1'-0"

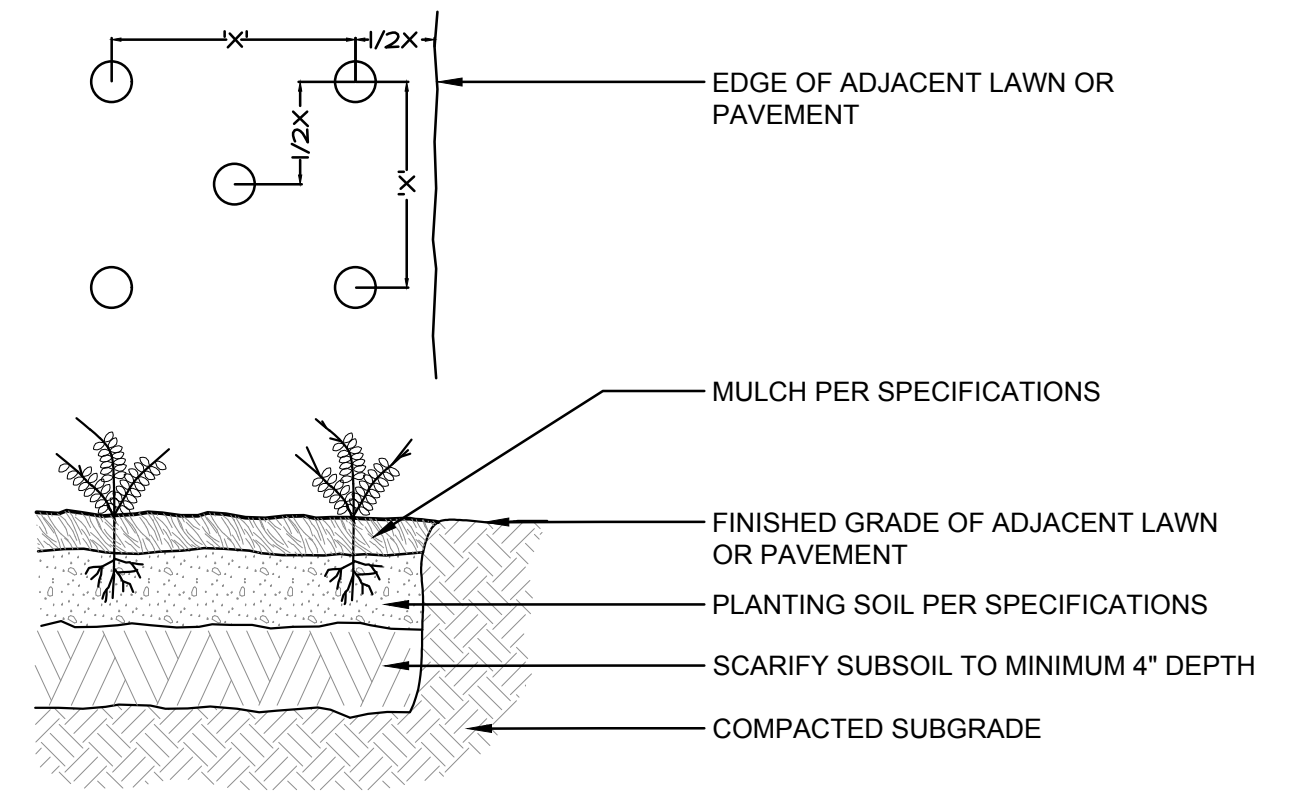


- NOTES:**
- Soil mix: 1/3 organic matter, 2/3 exist soil.
 - Width of plant pit: sandy soil, 24" wider than plant ball; clay soil, 12" wider than plant ball.
 - For planting areas where soil has been compacted by equip. contact LA prior to planting.
 - For camellias, rhodod., azaleas, and laurels: soil mix, 2/3 organic and 1/3 existing soil.
 - Shrub shall bear same relationship to grade as it did prior to digging.

2 SHRUB PLANTING
NOT TO SCALE

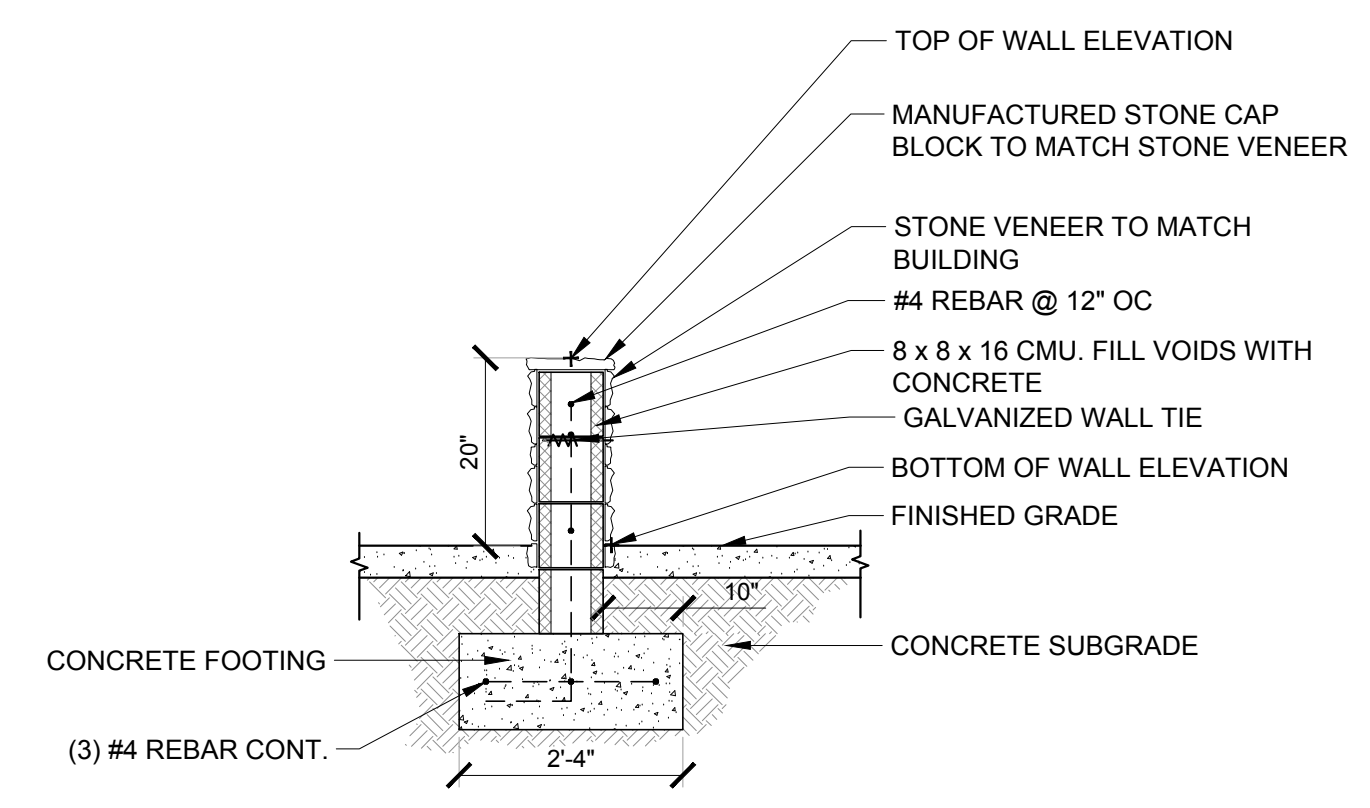


3 EVERGREEN PLANTING
NOT TO SCALE



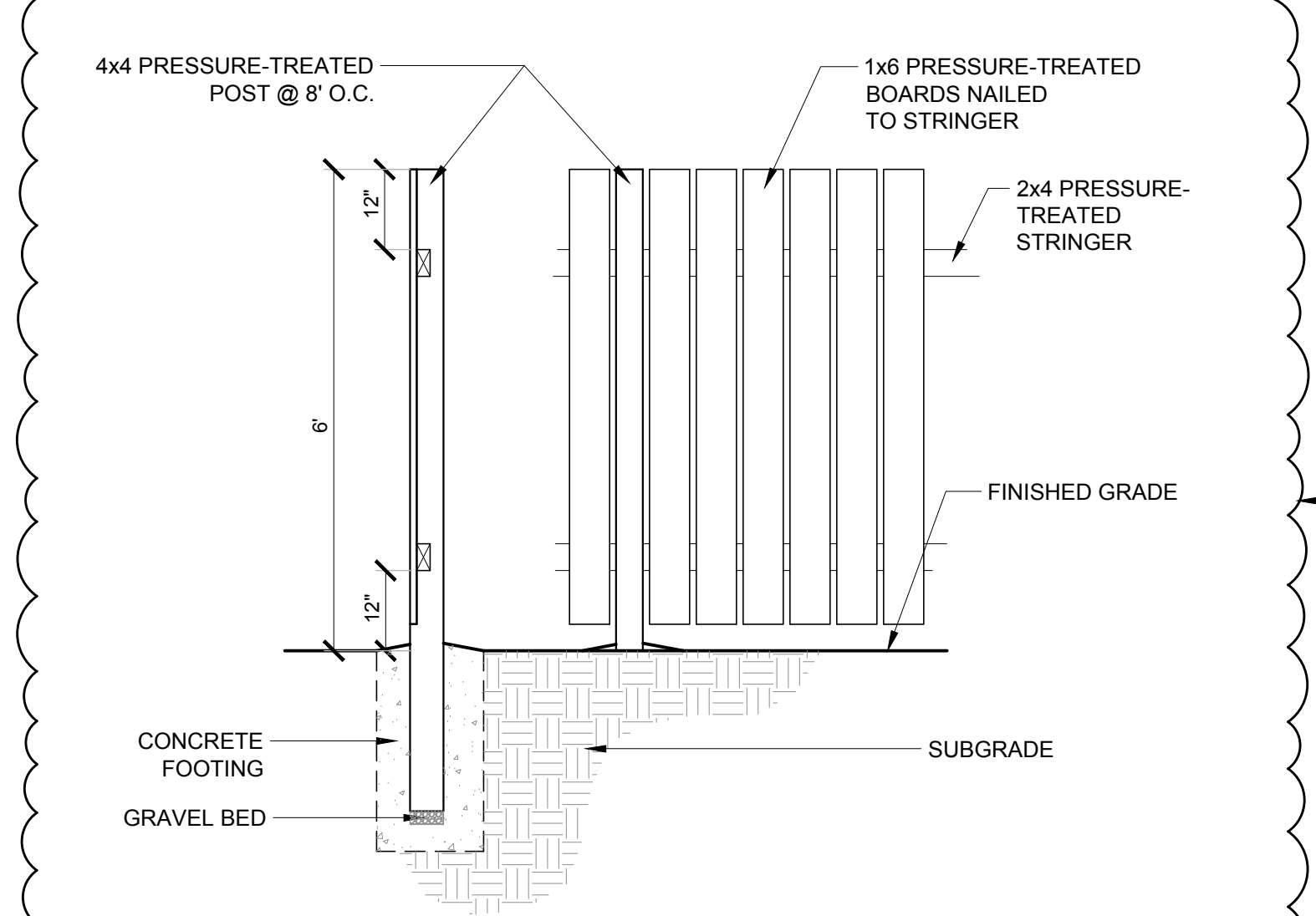
4 GROUNDCOVER PLANTING
NTS

- NOTES:**
- Typical spacing "X" noted on plan as on center (OC) dimensions.



- NOTES:**
- Wall height to be 20".
 - Stone veneer to be applied to CMU using same system as building application.
 - All steel in footing to be 2" clear of edge of footing.

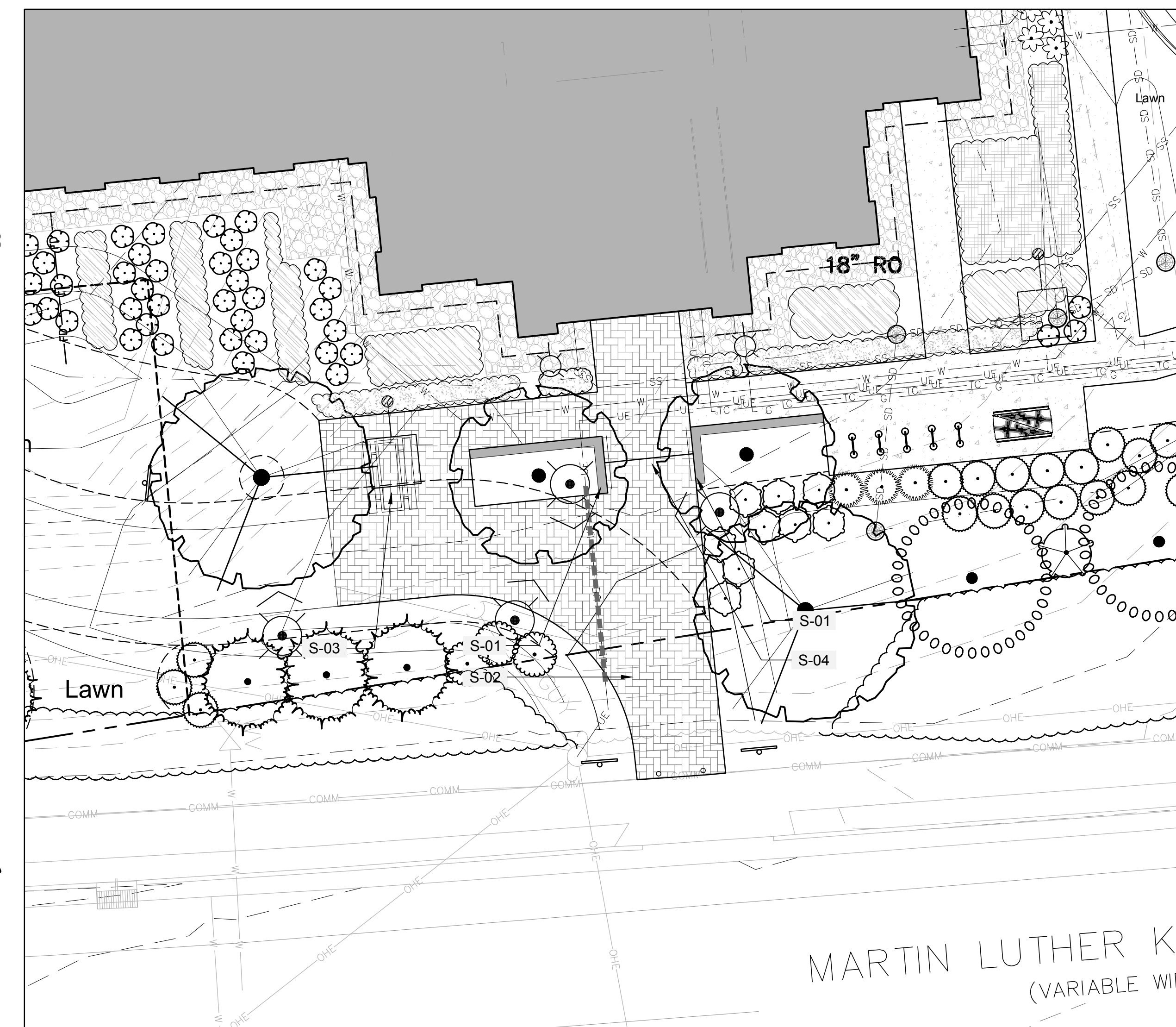
6 STONE VENEER SEAT WALL
1/2" = 1'-0"



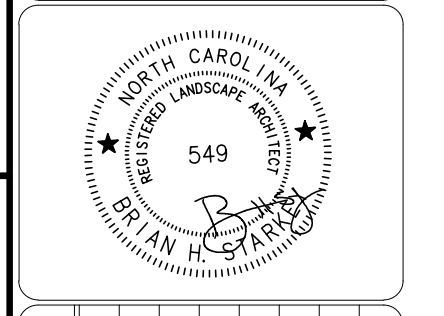
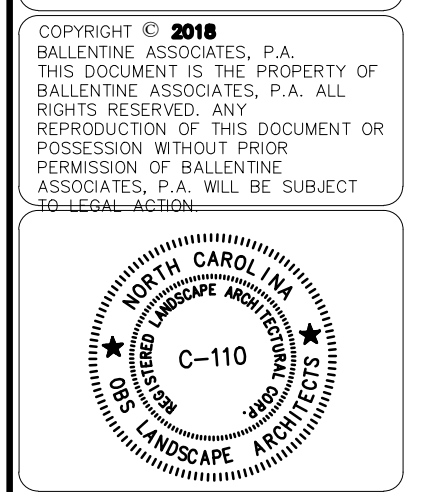
7 WOOD FENCE
1/2" = 1'-0"

SITE IMPROVEMENT SCHEDULE PEDESTRIAN PLAZA

SYMBOL	DESCRIPTION	DETAIL
S-01	Stone Veneer Seat Wall	6/L102
S-02	Brick Paving	5/L102
S-03	Picnic table as manufactured by Maglin. Model: MLPT720, direct burial mount, powder coat color to be fine textured gunmetal. Seat and top to be lpe.	
S-04	Step and handrail	



6 PEDESTRIAN ENTRANCE ENLARGEMENT
1" = 10'-0"



DATE	REVISIONS
07 DEC 18	

OWNER INFORMATION
STATE EMPLOYEES' CREDIT UNION
P.O. BOX 28807
RALEIGH, NC 27611
OWNER'S REPRESENTATIVE:
MR. JAMES APPLICHART
(800) 438-1104
FAX EMAIL: james.applichart@seccu.org

DATE	ISSUED
03 AUG 18	
07 DEC 18	

STATE EMPLOYEES' CREDIT UNION
CHARTERWOOD BRANCH
CHAPEL HILL, ORANGE COUNTY, NC

ZONING COMPLIANCE PERMIT DRAWINGS

JOB #: 117001.04
DATE: 03 AUG 18
SCALE: AS NOTED
DRAWN BY: L.E.D.
REVIEWED BY: B.H.S.

