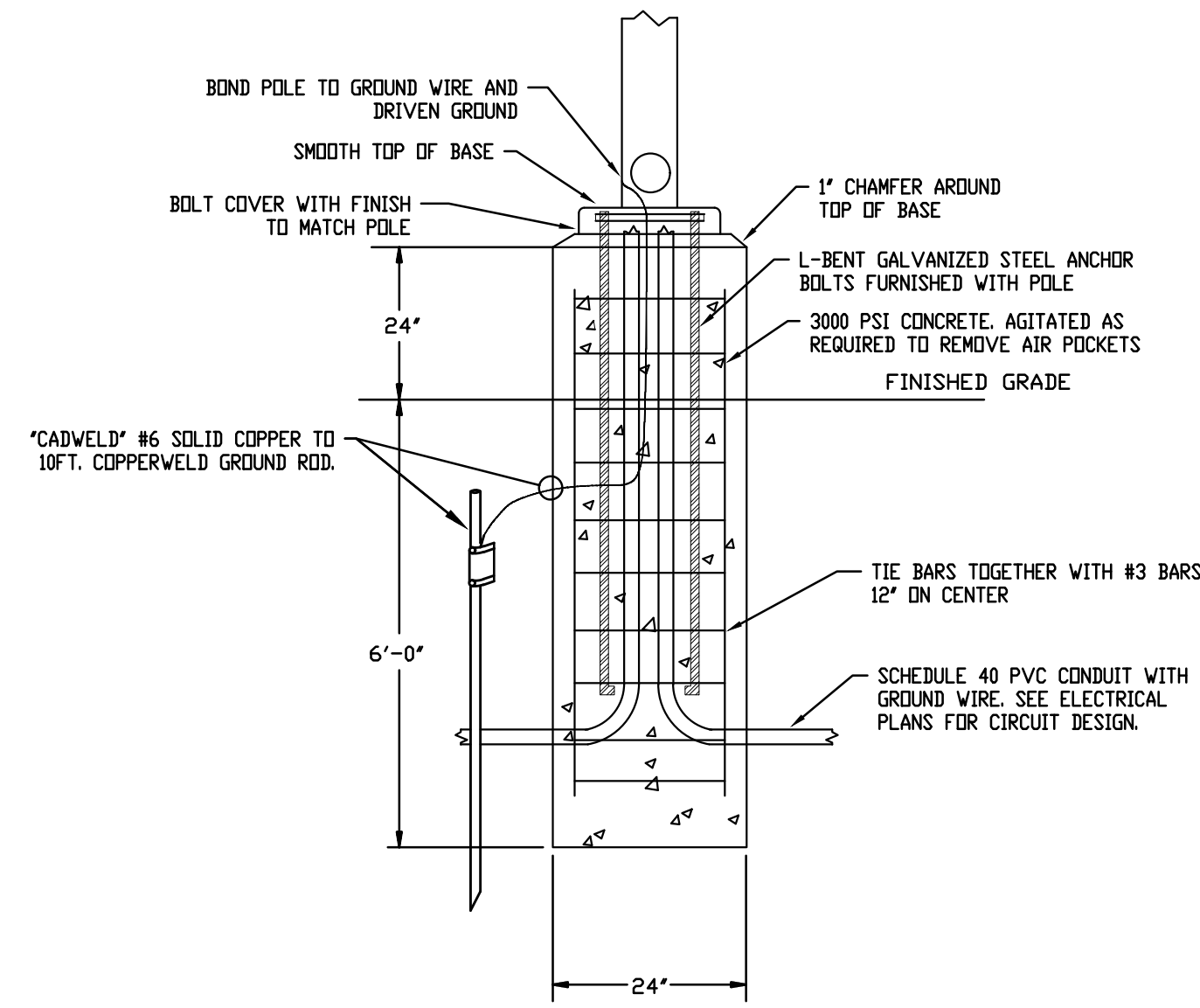
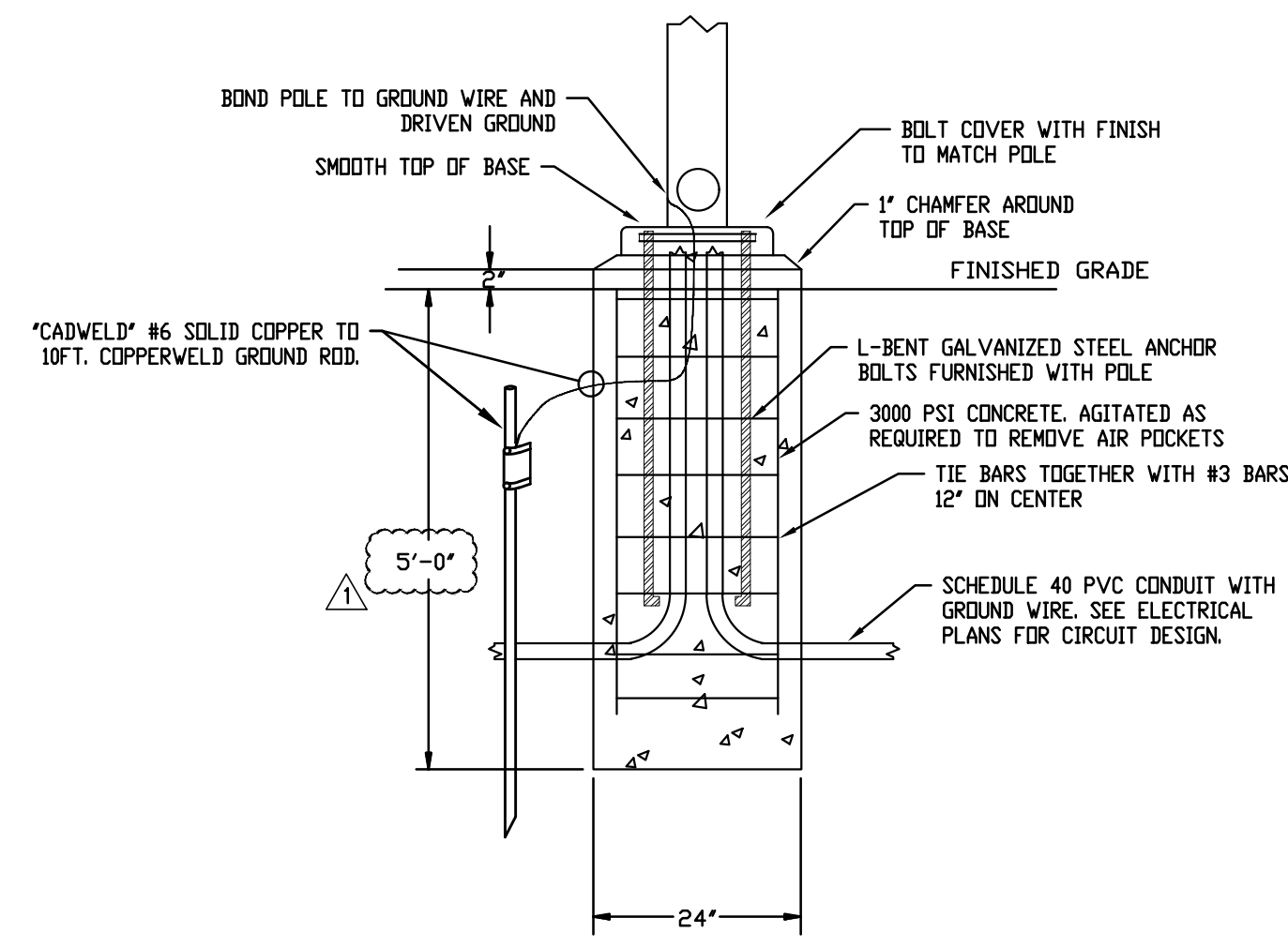


**GENERAL NOTES AND REQUIREMENTS.**

- WORKMANSHIP SHALL CONFORM TO NECA PUBLICATION "STANDARDS OF INSTALLATION"
- INSTALLATION SHALL COMPLY WITH NATIONAL ELECTRICAL CODE, STATE BUILDING CODE, AND ALL REQUIREMENTS OF THE LOCAL INSPECTOR (FURNISH INSPECTION CERTIFICATE). ALL WORK SHALL BE BY LICENSED ELECTRICAL CONTRACTOR.
- THE CONTRACTOR SHALL REFER TO THE ARCHITECTURAL PLANS FOR FLOOR PLAN DIMENSIONS. DO NOT SCALE THESE DRAWINGS. THE LOCATION OF ALL WALL MOUNTED DEVICES, INCLUDING MOUNTING HEIGHTS, SHALL BE FIELD VERIFIED WITH THE ARCHITECT PRIOR TO INSTALLATION. COORDINATE LOCATIONS OF ALL LIGHT FIXTURES WITH THE REFLECTED CEILING PLANS. LIGHT FIXTURES INSTALLED IN MECHANICAL AREAS SHALL AVOID MECHANICAL PIPING, EQUIPMENT, DUCTWORK, ETC.
- THE ELECTRICAL CONTRACTOR SHALL COORDINATE ANY AND ALL WORK WITH OTHER TRADES INVOLVED IN THE PROJECT, PRIOR TO INSTALLATION OF ELEC. EQUIPMENT, SO AS TO AVOID CONFLICTS DURING CONSTRUCTION AND TO ALLOW FOR OPTIMUM MAINTENANCE AND WORKING SPACE.
- SEE ELECTRICAL DRAWINGS FOR ALL RACEWAY REQUIREMENTS AND SPECIFICATIONS.
- SEE ELECTRICAL DRAWINGS FOR ALL CONDUCTOR REQUIREMENTS AND SPECIFICATIONS.
- ALL MOUNTING HEIGHTS ARE GIVEN TO THE BOTTOM OF THE DEVICE UNLESS NOTED OTHERWISE.
- PROVIDE GROUNDING CONDUCTOR FOR ALL CIRCUITS PER N.E.C. AND BUILDING GROUND SHALL MEET ALL REQUIREMENTS OF NEC 250.
- ALL WALL OUTLET BOXES, RECEPTACLES, SWITCHES, COVERPLATES, ETC. SHALL BE COMMERCIAL GRADE, STANDARD OR HEAVY DUTY EXCEPT AS SPECIFIED. VERIFY COLOR / MATERIALS FOR ALL DEVICES AND COVERPLATES PRIOR TO PURCHASE. PROVIDE LABEL FOR EACH DEVICE IDENTIFYING THE CIRCUIT SERVING THE DEVICE. VERIFY IF LABEL SHOULD BE ON INSIDE OR OUTSIDE FACE OF COVERPLATE WITH OWNER/TENANT.
- THE CONTRACTOR IS RESPONSIBLE FOR PROPERLY DISPOSING OF ALL WASTE MATERIALS, BENCH MATERIALS AND OTHER TRASH. THIS INCLUDES BUT IS NOT LIMITED TO PROPER DISPOSAL OF MERCURY CONTAINING LAMPS, RECYCLABLE MATERIALS, ETC.
- CONTRACTOR SHALL PROVIDE ENGINEER A MINIMUM OF 3 COPIES OF SHOP DRAWINGS FOR LIGHTS, SWITCHGEAR, PANELS, ETC.
- IT IS THE SOLE RESPONSIBILITY OF THE CONTRACTOR TO COORDINATE W/ ALL OTHER TRADES REGARDING VOLTAGES, LOADS, CIRCUIT BREAKERS, ETC. PRIOR TO BEGINNING ANY WORK.
- AS USED ON THESE DOCUMENTS, THE WORD "PROVIDE" SHALL MEAN TO FURNISH AND INSTALL THE ITEM OR EQUIPMENT AND MAKE THE FINAL CONNECTION AS REQUIRED.
- CCE HAS RESERVED THE OPPORTUNITY TO CHOOSE THE SOFTWARE PACKAGE(S) OR OTHER MEANS DEEMED MOST EFFICIENT TO BELIEVE THESE PLANS AND CONSIDERS ANY DIGITAL FILES OR SOFTWARE USED DURING THIS PROCESS AS INSTRUMENTS OF SERVICE, AND AS SUCH REMAIN THE SOLE PROPERTY OF CCE. THE CONTRACTOR SHOULD NOT ASSUME THAT DIGITAL FILES IN ANY OTHER FORMAT WILL BE MADE AVAILABLE DURING BIDDING OR AFTER AWARD. IF DIGITAL FILES ARE REQUESTED, CCE RESERVES THE RIGHT TO SELECTIVELY PROVIDE THEM AND/OR REQUEST ADDITIONAL CONSIDERATION FOR THE TIME INCURRED TO PREPARE THEM FOR RELEASE.
- CONTRACTOR SHALL COMPLY WITH ALL APPLICABLE SEISMIC REQUIREMENTS.
- ALL UNDERGROUND RACEWAY ENTERING THE BUILDING, I.E. THROUGH A FOUNDATION WALL OR THROUGH THE FLOOR, SHALL BE SEALED IN ACCORDANCE WITH NEC 228.27 AND 300.5(D). RACEWAY SEALS AND SEALANTS SHALL BE APPROVED AND LISTED FOR THE SPECIFIC APPLICATION AND MATERIALS.
- ALL EQUIPMENT CONNECTED TO OR ASSOCIATED WITH THE ELECTRICAL SYSTEMS OR OTHERWISE INCLUDED IN THE SCOPE OF WORK SHALL BE LISTED AND LABELED BY A THIRD PARTY ACCEPTABLE TO THE AUTHORITY HAVING JURISDICTION.



**1 TALL LIGHT POLE BASE DETAIL**  
SCALE: NONE



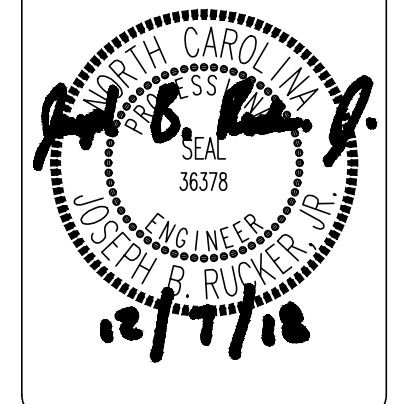
**2 SHORT LIGHT POLE BASE DETAIL**  
SCALE: NONE

LIGHT FIXTURE SCHEDULE												
SYMBOL	LABEL	IMAGE	MANUFACTURER	CATALOG NUMBER	DESCRIPTION	LAMP	NUMBER LAMPS/HEAD	FILENAME	LMENS PER HEAD	MINT. FACTOR	VATTAGE	POLE HEIGHT
□	S3		LST LIGHTING	XLS-3-LED-SS-CV-UE-BLK	LED POLE LIGHT W/ TYPE 3 DISTRIBUTION, FULL CUTOFF, 1 HEAD PER POLE. PROVIDE W/ 5' SQUARE, 07 GAUGE STEEL POLE BY LSI.	LED	1	XLS-3-LED-SS-CV-IES	10,123	0.9	97	VARIABLES SEE PLANS
□	S3-2		LST LIGHTING	XLS-3-LED-SS-CV-UE-BLK	LED POLE LIGHT W/ TYPE 3 DISTRIBUTION, FULL CUTOFF, 2 HEADS PER POLE AT 90°. PROVIDE W/ 5' SQUARE, 07 GAUGE STEEL POLE BY LSI.	LED	1	XLS-3-LED-SS-CV-IES	10,123	0.9	194	VARIABLES SEE PLANS
□	S4		LST LIGHTING	XLM-FTE-LED-HD-CV-UE-BLK	LED POLE LIGHT W/ FORWARD THROW ENHANCED DISTRIBUTION, FULL CUTOFF, 1 HEAD PER POLE. PROVIDE W/ 26 FT. 5" SQUARE, 07 GAUGE STEEL POLE BY LSI.	LED	1	XLM-FTE-LED-HD-CV-IES	21,129	0.9	268	26'
□	S4-2		LST LIGHTING	XLM-FTE-LED-HD-CV-UE-BLK	LED POLE LIGHT W/ FORWARD THROW ENHANCED DISTRIBUTION, FULL CUTOFF, 2 HEADS PER POLE AT 90°. PROVIDE W/ 26 FT. 5" SQUARE, 07 GAUGE STEEL POLE BY LSI.	LED	1	XLM-FTE-LED-HD-CV-IES	21,129	0.9	536	26'
□	S4S		LST LIGHTING	XLS-FTE-LED-SS-CV-HS-UE-BLK	LED POLE LIGHT W/ TYPE FORWARD THROW ENHANCED DISTRIBUTION WITH HOUSE SIDE SHIELDS, FULL CUTOFF, 1 HEAD PER POLE. PROVIDE 5' SQUARE, 07 GAUGE STEEL POLE BY LSI.	LED	1	XLS-FTE-LED-SS-CV-HS-IES	5,677	0.9	96	VARIABLES SEE PLANS
⊗	B		LUMINIS LIGHTING	MA30-LIWB-R4-BKT	LED BALLARD - 360° DISTRIBUTION	LED	1	MA30-LIWB-R4-IES	1,686	0.9	19	N/A
⊗	C		SPECIFIED BY OTHERS	SPECIFIED BY OTHERS	LED WALL SCENE	LED	1	SY302-LEV10-1-RE-IES	5,879	0.9	63	12'-9" TO CENTER OF BOX
⊗	D		SPECIFIED BY OTHERS	SPECIFIED BY OTHERS	LED WALL SCENE	LED	1	SY302-LEV10-0-RE-IES	1,939	0.9	24	7'-10" TO CENTER OF BOX
□	F		SPECIFIED BY OTHERS	SPECIFIED BY OTHERS	LED DOWNLIGHT	LED	1	LF4LE164 with 4LFLE164DR-IES	1,132	0.9	14	MOUNTED IN SUFFIT

- NOTES:**
- ALL FIXTURES, BALLASTS, AND DRIVERS SHALL COMPLY WITH N.C. BUILDING CODE, 2012 NORTH CAROLINA ENERGY CONSERVATION CODE AND SHALL BE UL/ETL LISTED FOR U.S. USE. ALL LED DRIVERS SHALL COMPLY WITH NEMA 410.
  - EQUALS MUST BE APPROVED BY ENGINEER PRIOR TO ORDERING.
  - VERIFY FIXTURE AND POLE FINISH/COLOR PRIOR TO ORDERING.
  - ALL NEW, RELOCATED, OR RESWITCHED FIXTURES THAT UTILIZE BALLASTS OR DRIVERS SHALL BE PROVIDED WITH A LUMINAIRE DISCONNECT WHERE REQUIRED PER NEC SECTION 410.30(D). USE IDEAL PONDPLUGS OR EQUAL, INTERNAL TO FIXTURE.
  - PROVIDE THE PROPER LAMPS FOR EACH FIXTURE, AS RECOMMENDED BY THE FIXTURE MANUFACTURER AND FIXTURE SCHEDULE.
  - POLES SHALL BE SQUARE STEEL TYPE AND SHALL HAVE APPROPRIATE EPA RATING PER GEOGRAPHIC LOCATION AND NUMBER OF HEADS TO BE INSTALLED.
  - ALL EXTERIOR LIGHTING FIXTURES SHALL BE FULL CUT-OFF.
  - VERIFY VOLTAGE REQUIRED W/ BUILDING ELECTRICAL DRAWINGS (BY OTHERS) PRIOR TO ORDERING.
  - ALL LIGHT POLES ARE INTENDED TO BE INSTALLED ON POLE BASES AS INDICATED. POLE HEIGHT INDICATED IN SCHEDULE IS HEIGHT OF FIXTURE HEAD ABOVE TOP OF BASE.

STATISTICS						
DESCRIPTION	SYMBOL	AVG	MAX	MIN	MAX/MIN	AVG/MIN
PARKING LOT	+	28 Fc	144 Fc	03 Fc	2881	551
PROPERTY LINE	◇	03 Fc	03 Fc	03 Fc	N/A	N/A
STRAWLWALKS	⊗	46 Fc	259 Fc	06 Fc	2651	771
STREET	□	23 Fc	64 Fc	06 Fc	1571	301

**CRENSHAW CONSULTING**  
 1000 W. STATE ST. SUITE 100  
 RALEIGH, NORTH CAROLINA 27609  
 919-871-9970 FAX 919-871-9920  
 NO LICENSE #C-1150



STATE EMPLOYEES' CREDIT UNION  
 CHARTERWOOD BRANCH (CHARTERWOOD PH 2)  
 CHAPEL HILL, ORANGE COUNTY, NC

REVISIONS:

NO.	DATE	DESCRIPTION
1	12/07/18	REVIEW COMMENTS

DATE:  
 AUGUST 3, 2018

CONTENTS  
 SITE LIGHTING DETAILS

SHEET

**SL2001**